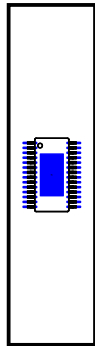
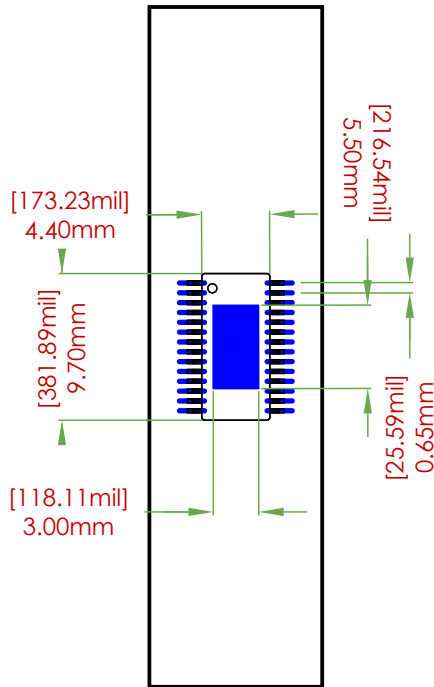


TSSOP-28 Breakout Board (4.4x9.7 mm, 0.65)

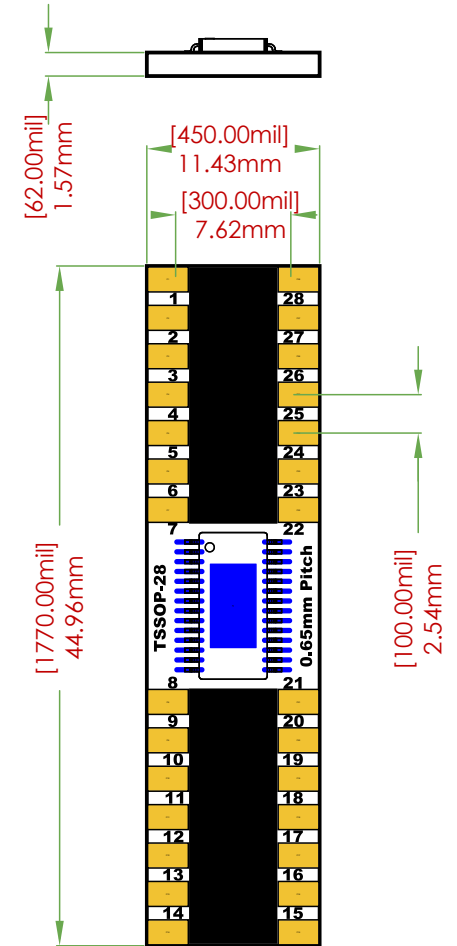
SKU: ICB70001



1:1 SCALE



FOOTPRINT DIMENSIONS



BREAKOUT BOARD DIMENSIONS

Print this document to use the scale image on the left to test the fit of the electronic part.