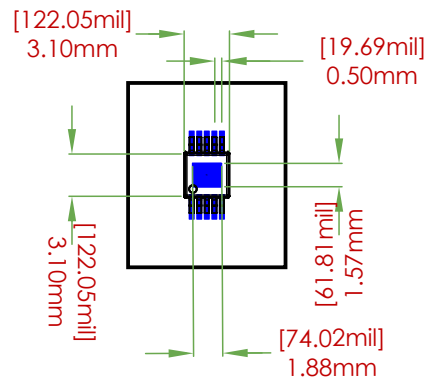


MSOP-10 Breakout Board (3.1x3.1 mm, 0.5 mm)

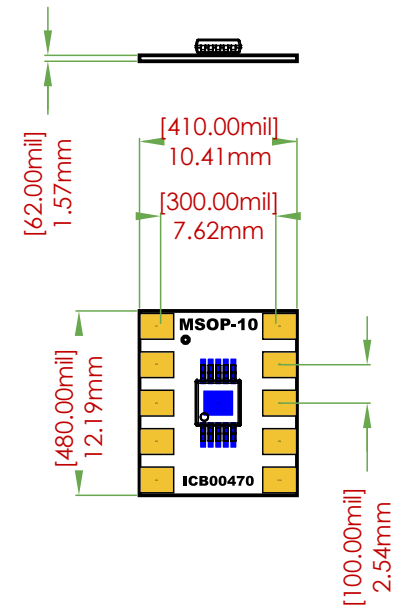
SKU: ICB00470



1:1 SCALE



**FOOTPRINT
DIMENSIONS**



**BREAKOUT BOARD
DIMENSIONS**

Print this document to use the scale image on the left to test the fit of the electronic part.