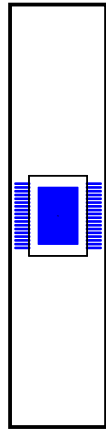
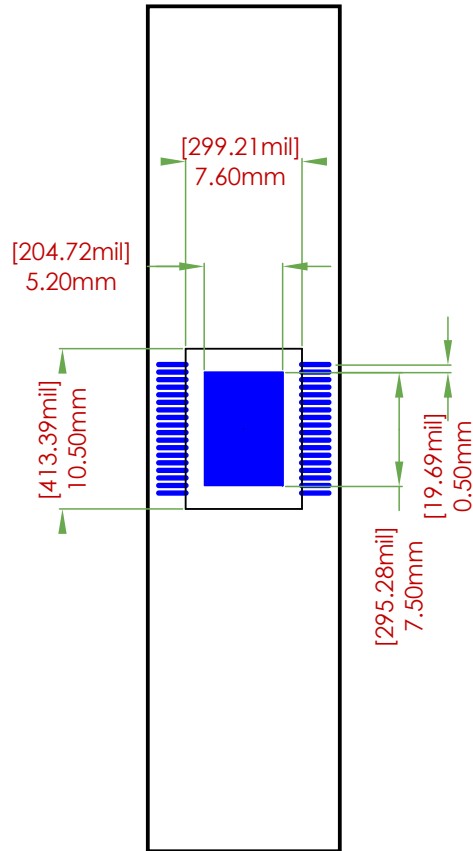


SSOP-36 Breakout Board (7.6x10.5 mm, 0.5 mm)

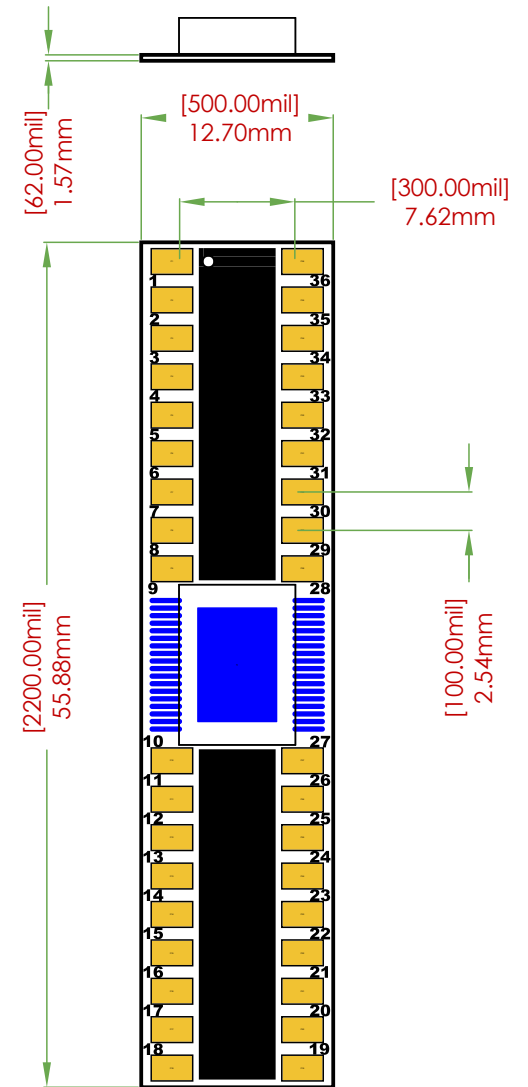
SKU: ICB00270



1:1 SCALE



FOOTPRINT DIMENSIONS



BREAKOUT BOARD DIMENSIONS

Print this document to use the scale image on the left to test the fit of the electronic part.