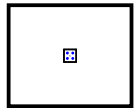
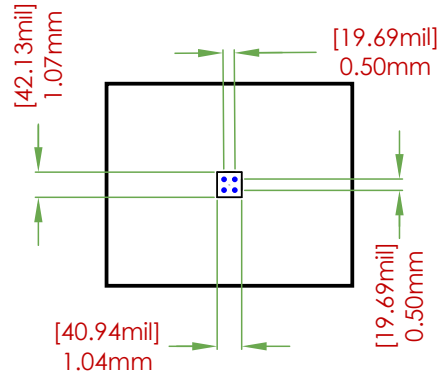


**BGA - 4 Breakout Board (1.07x1.04mm, 0.5mm)**

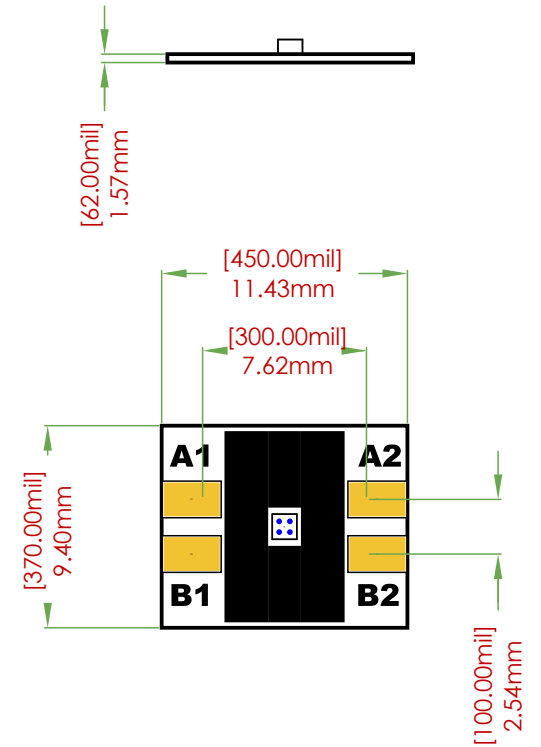
**SKU: ICB00130**



**1:1 SCALE**



**FOOTPRINT  
DIMENSIONS**



**BREAKOUT BOARD  
DIMENSIONS**

*Print this document to use the scale image on the left to test the fit of the electronic part.*