



Talon Batons



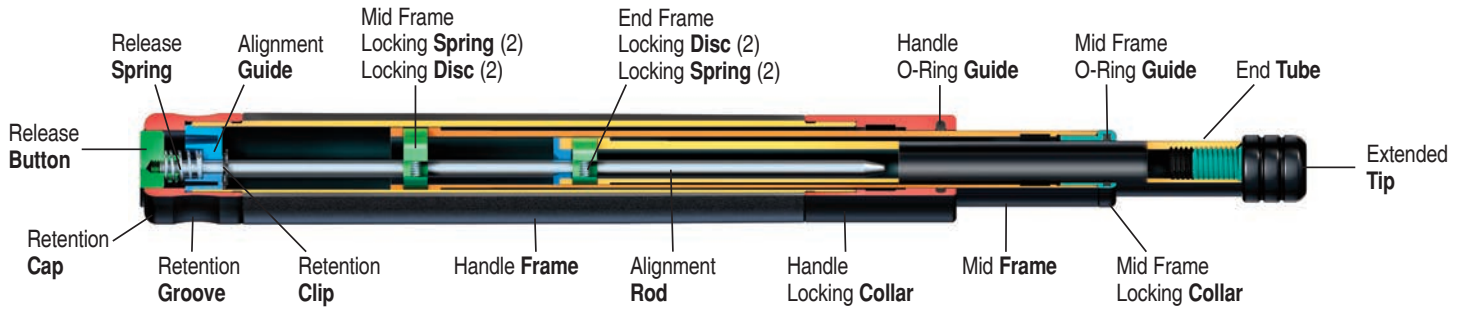
Elegantly simple. Incredibly strong. Easily carried. Rapidly deployed. Extended tip expansion. Push button retraction. A new standard of convenience. The Talon Baton from ASP.

This revolutionary new design uses two opposing discs that cam into an internal groove that is machined into each tube. Lockout is simple, stable and secure. Positive expansion complements push button retraction.



The elegance of any design is measured by the quality and simplicity of its parts. In this baton you will find the premium materials, exceptional workmanship and flawless function of ASP. All combined in a push button design with minimal parts. While others are content to introduce new products, the Talon produces a new standard. This is a baton with quality, durability and performance in every detail. This is the next generation of intermediate force. This is the Talon Baton from ASP.

Talon Batons . . . Simple and Strong



Background

High carbon steel tubing
Precision machined
Heat treated

Specifications

Retracted Length		
40	7.06"	17.93 cm
50	8.25"	20.95 cm
60	9.63"	24.45 cm

Expanded Length		
40	15.75"	40 cm
50	19.68"	50 cm
60	23.62"	60 cm

Weight (Steel)		
40	16.3 ounces	.462 kg
50	18.3 ounces	.519 kg
60	21.4 ounces	.607 kg

Weight (Airweight)		
40	8.8 ounces	.25 kg
50	11.2 ounces	.318 kg
60	12.0 ounces	.342 kg

Diameter	1.06"	2.7 cm
Locking System	Disc Loc	

Steel Tubing

4140
49-52 RC
238,000 PSI Tensile
215,000 PSI Yield

Aluminum Tubing

7075 T6
87 RB
83,000 PSI Tensile
73,000 PSI Yield

Shafts

K Coat (K)
Airweight (A)

Locking Bushing

Hardened locking groove
O-ring guide

Locking Lugs

Hardened
Opposing cams
Coil spring activated

Tube Stops

Hardened
O-ring dampened
No bounce back

Extended Tip

Two grooves
Continuous tension release
Positive lockup

Lockup

Opposing discs
Heat treated
Spring activated
Locking groove
Heat treated

Handle

K Coat
Foamed vinyl grip
Protective front collar

Cap Release

Large surface
Easily activated

Button Release

Retention groove
Machined into the cap
Contoured for the little finger

Release

One hand
Optional logo

Scabbards

Duty
Envoy



Retract your Talon Baton by depressing the release button. It is not necessary to strike the tip of the baton.



Envoy

The Envoy Scabbard rotates to 7 distinct positions on the duty belt. It will not rotate beyond horizontal or compromise the security of a baton. A retracted Talon Baton may be rapidly presented, yet it is securely retained during dynamic confrontations.



MOLLE

Designed for military or special operations, the rotating polymer Envoy Scabbard will clip onto all modern equipment vests.

ASP

"Protecting Those Who Protect"