



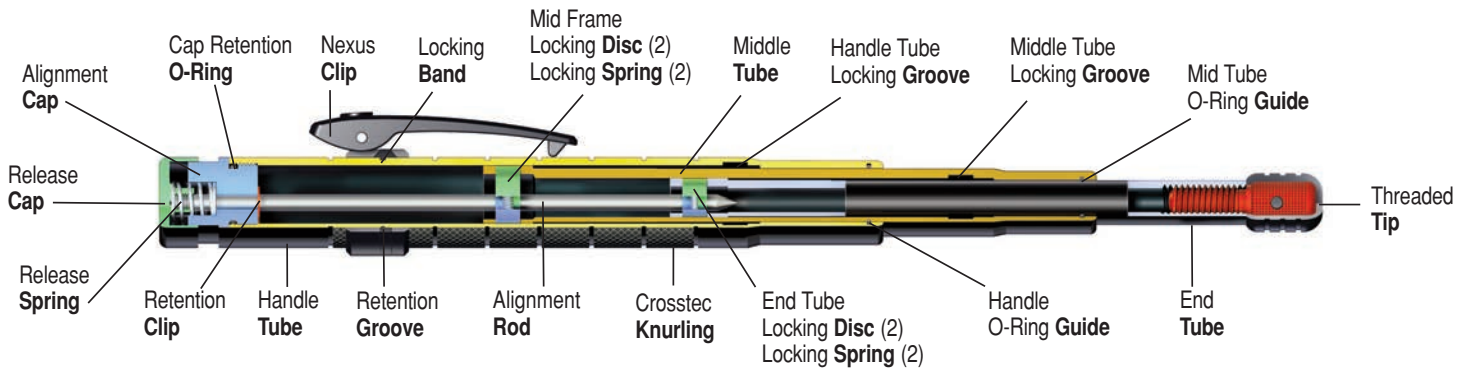
Agent™ Batons A30, A40, A50

- Reduced diameter
- Lightweight
- Adjustable carry clip
- Internal Talon Loc
- Push button release

The combination of discreet concealment and rapid presentation makes Agent Batons an ideal impact weapon for administrators, investigators and undercover operatives. The batons incorporate a 4140 steel striking surface. The 7075 T6 aluminum middle shaft and handle are forged to shape and then precision machined. The grip is fine line, Crosstec knurled with spiral micro grooves. Rings accept Nexus baton clips.

Agent Batons expand to 30, 40 or 50 cm. They have the form, fit and striking potential of a duty baton. The reduced diameter and low profile grip of the Agent may be concealed inside the waistband or worn on the belt. The Nexus clip may be adjusted to a variety of positions along the handle to enhance concealment or ease of presentation. Agent Batons can be carried tip up or tip down. As with all ASP Talon Loc batons, the Agent is retracted with a simple push of the cap.

Agent Batons A30, A40, A50



Background

Custom formulated tubing
High strength
Custom drawn

Specifications

30
Retracted Length 6.3" 16.00 cm
Expanded Length 11.8" 30.00 cm
Diameter .875" 2.22 cm
Weight 6.4 ounces 181 grams
Locking System Talon Loc

40
Retracted Length 7.75" 19.69 cm
Expanded Length 15.75" 40.00 cm
Diameter .875" 2.22 cm
Weight 7.3 ounces 207 grams
Locking System Talon Loc

50
Retracted Length 9.0" 22.86 cm
Expanded Length 19.625" 50.00 cm
Diameter .875" 2.22 cm
Weight 8.3 ounces 235 grams
Locking System Talon Loc

Steel Tubing

4140
40-45 RC
201,000 PSI tensile

Aluminum Tubing

7075 T6
87 RB
83,000 PSI tensile
73,000 PSI yield

Striking Surface

4140 steel
Black Chrome plated

Middle Tube

7075 T6 aluminum
Hardcoat anodized

Locking Discs

High carbon steel
Heat treated
Electroless Nickel plated

Tip

Carbon steel
Overmolded

Locking System

Internal locking grooves
Opposing discs
Spring expanded
Rod retracted
O-ring sealed

Grip

Cross hatched
Spiral micro grooves
Machined clip rings
One-half inch on center
Hardcoat anodized

Cap

Black Chrome plated
O-ring sealed

Nexus Clip

Circumferential ring
Polymer
Replaceable
Tip up or tip down carry
Chrome plated torsion spring
Locking band



Nexus Clips are removable. They may be repositioned along the length of the handle.



Attach the Nexus clip to your Agent™ Baton by sliding the baton over the handle. Insert the snap-in locking band into a selected retention groove.



Retract your Agent Baton by depressing the end cap as pressure is exerted against the tip.

Crosstec Knurling on the Agent Baton provides a secure grip without causing abrasion.



Carry your Agent Baton in your pocket, on a dress belt or inside your waistband.

ASP

"Protecting Those Who Protect"