



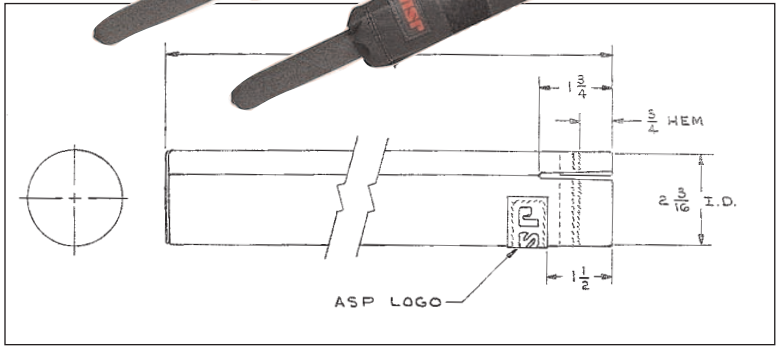
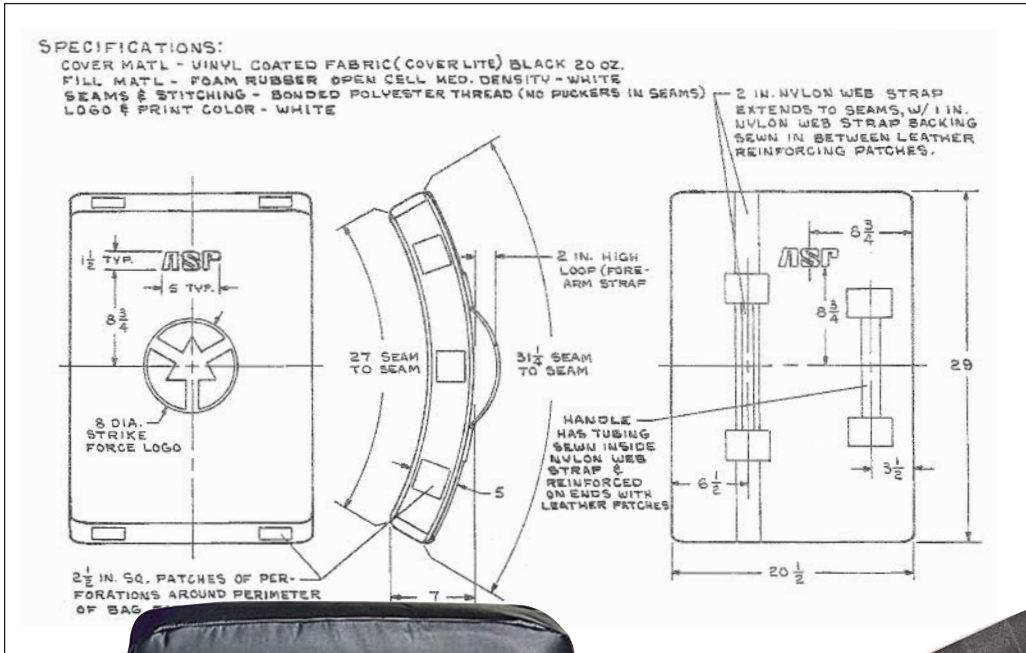
# Training Bag & Batons



The ability to employ force to control a confrontation is a critical law enforcement skill. It is the singular responsibility that separates the police from other occupations. ASP Training Bag allows officers to master impact, light and restraint techniques while preparing for the reality of the street. The design facilitates progressive instruction while maintaining a safe training environment.

ASP Training Batons allow officers to master use of ASP expandable batons. They are an integral part of progressive ASP training. Their construction provides the ability to conduct high level simulation training in a safe environment.

# Training Bag & Batons . . . Dynamic Simulation



## Training Baton

<b>Length</b>	21" 26"	<b>Core</b>	3/8" diameter rod Polymer
<b>Cover</b>	Close weave canvas	<b>Retaining Grommet</b>	Neoprene disc 80" diameter
<b>Impact Insert</b>	Closed cell foam Hollow core tube Hollow wall	<b>Retaining Ring</b>	6061 T6 aluminum 45° set screw offset
<b>Tip</b>	Neoprene disc 1/8" thick	<b>Grip</b>	Foamed vinyl 1.25" diameter Closed end

## Training Bag

<b>Size</b>	Height 30" 76.2 cm Width 21" 53.3 cm Thickness 5" 12.7 cm	<b>Thread</b>	Nylon Six strand
<b>Cover</b>	Poured nylon over scrim Four corner and side micro punched	<b>Handle</b>	Woven tube Nylon tube core Leather patch reinforced
<b>Core</b>	Medium density foam Open cell foam	<b>Retaining Strap</b>	Fabric strap Nylon strap reinforced Leather patch reinforced



Protecting Those Who Protect