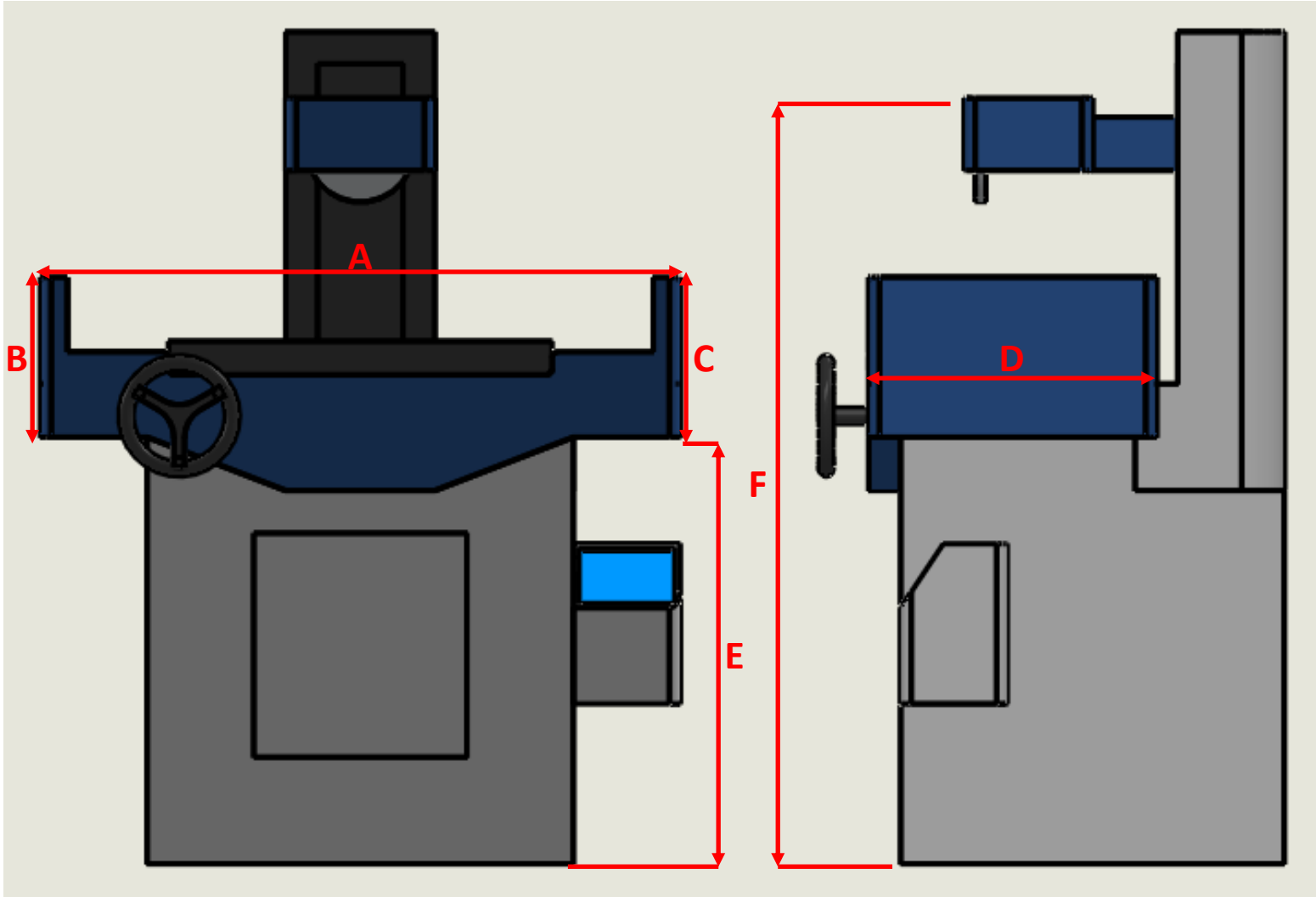


Surface Grinder Guard Dimension Form



Customer Name _____

Machine Name _____

Interlock Option? _____

Height of doors? _____

A: *Outside to Outside of shroud _____

B: *Height of Left-Side Shroud _____

C: *Height of Right-Side Shroud _____

D: *Overall Depth of Side Shroud _____

E: Floor to Bottom of table _____

F: Height of Top of Grinding Wheel (from floor) _____

Move head to highest position first

***If it has no shroud please note and use traveling table for dimensions A and D**