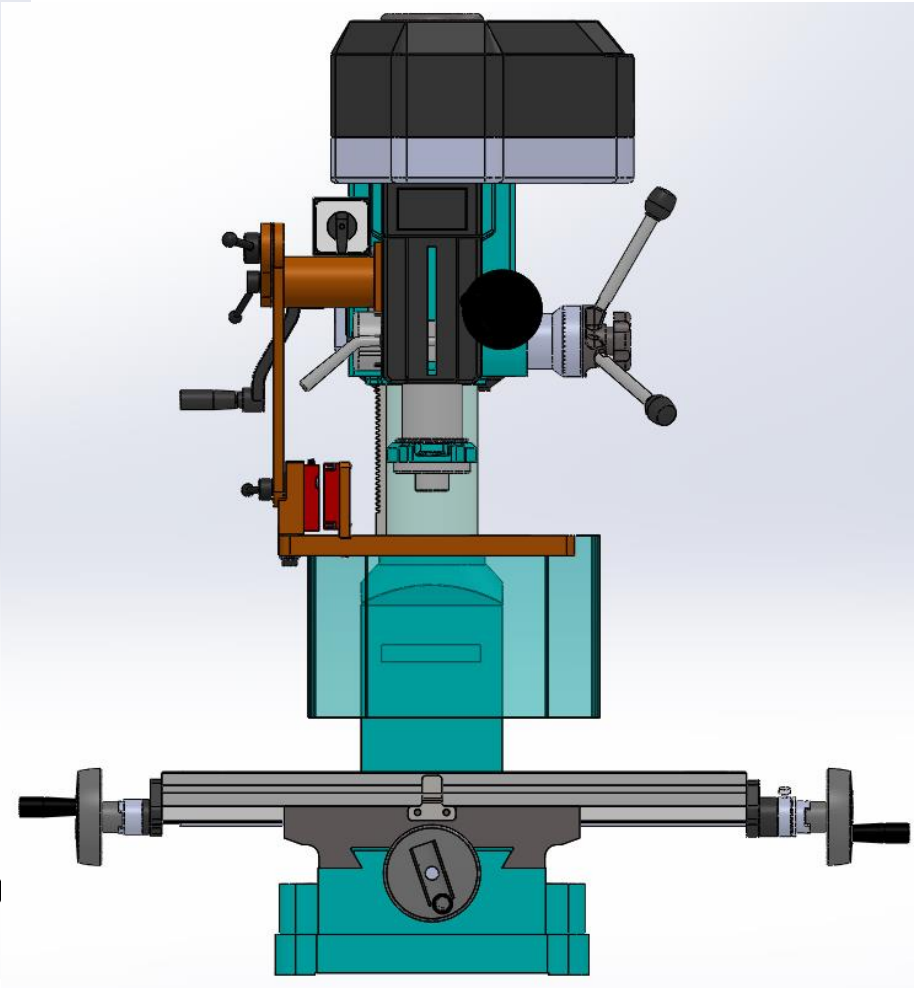
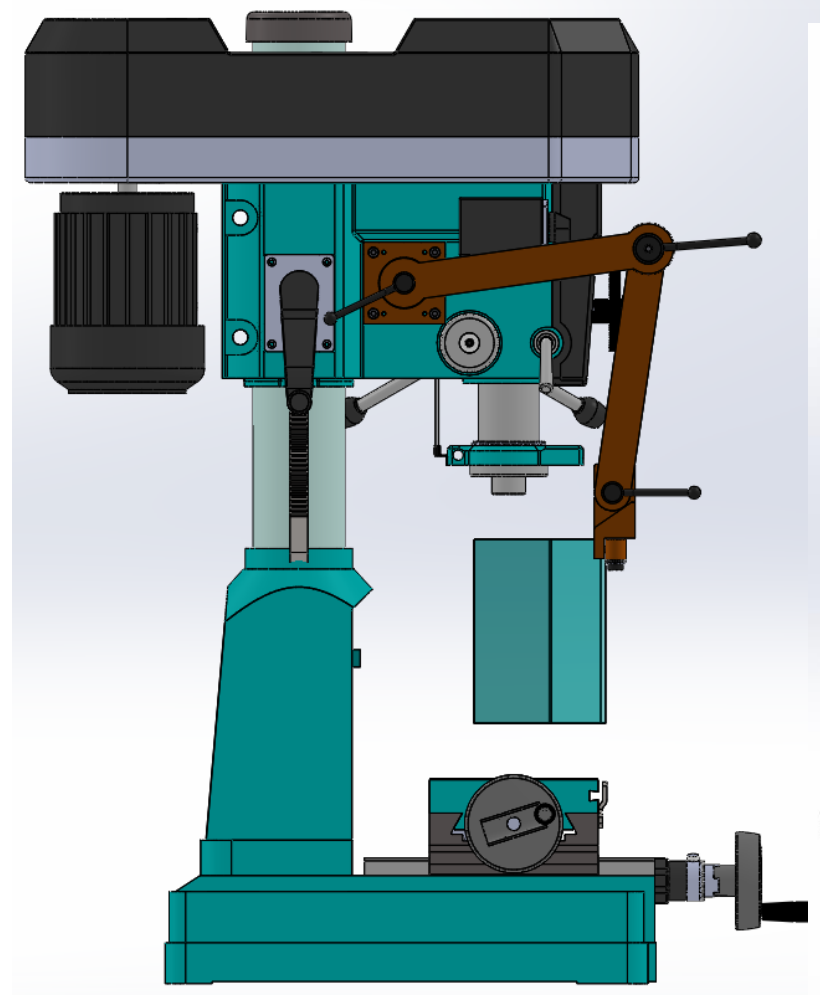
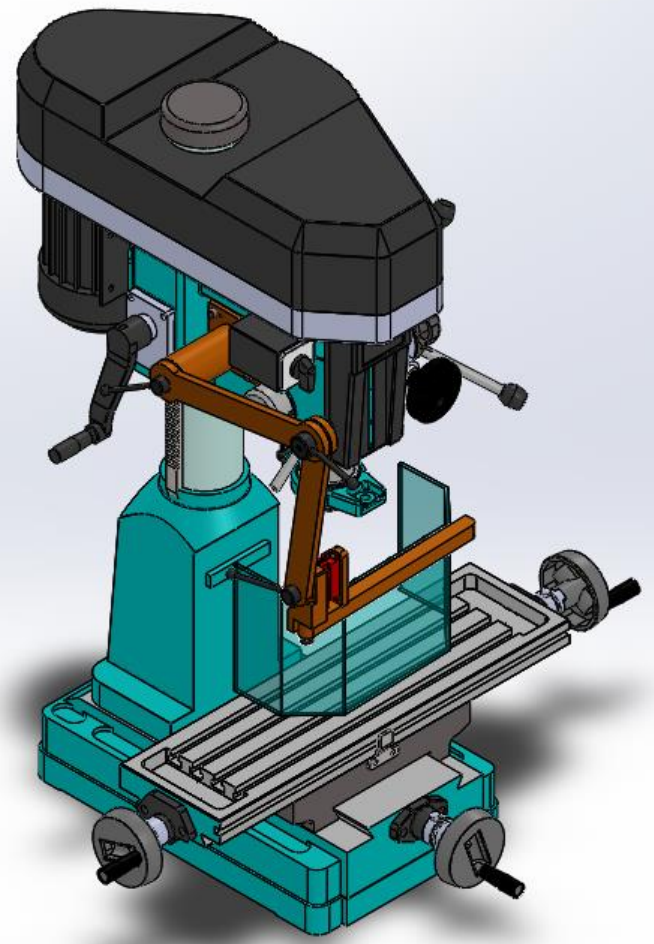
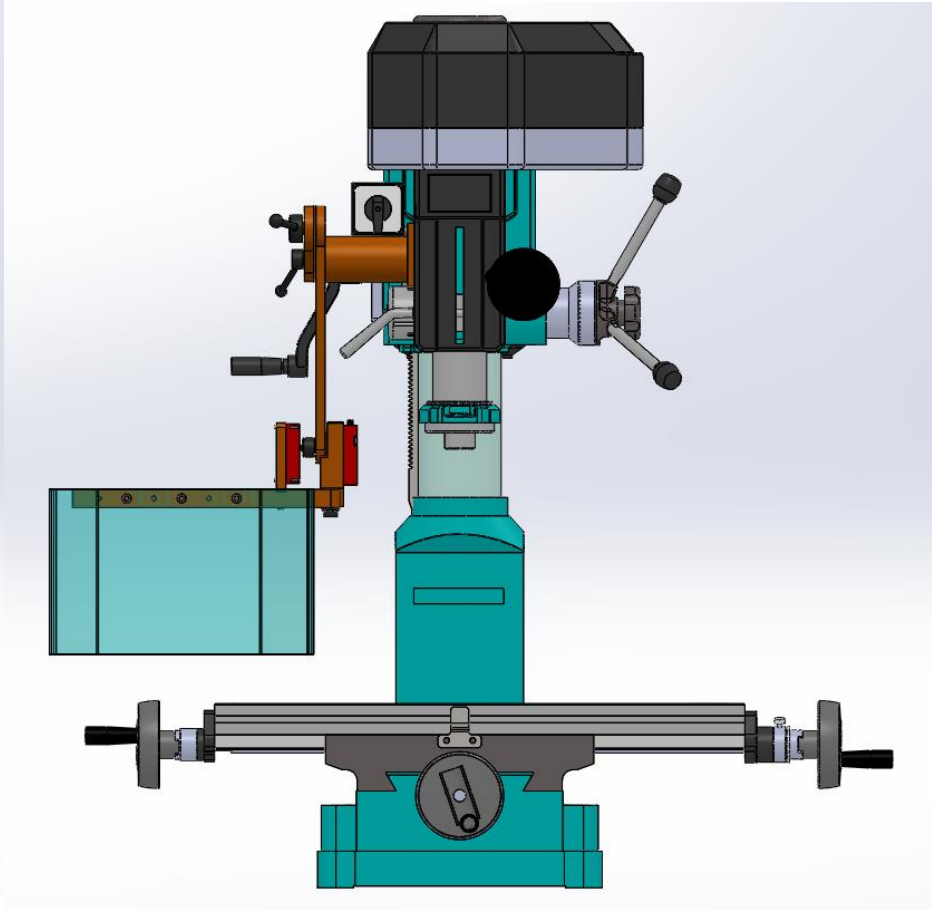
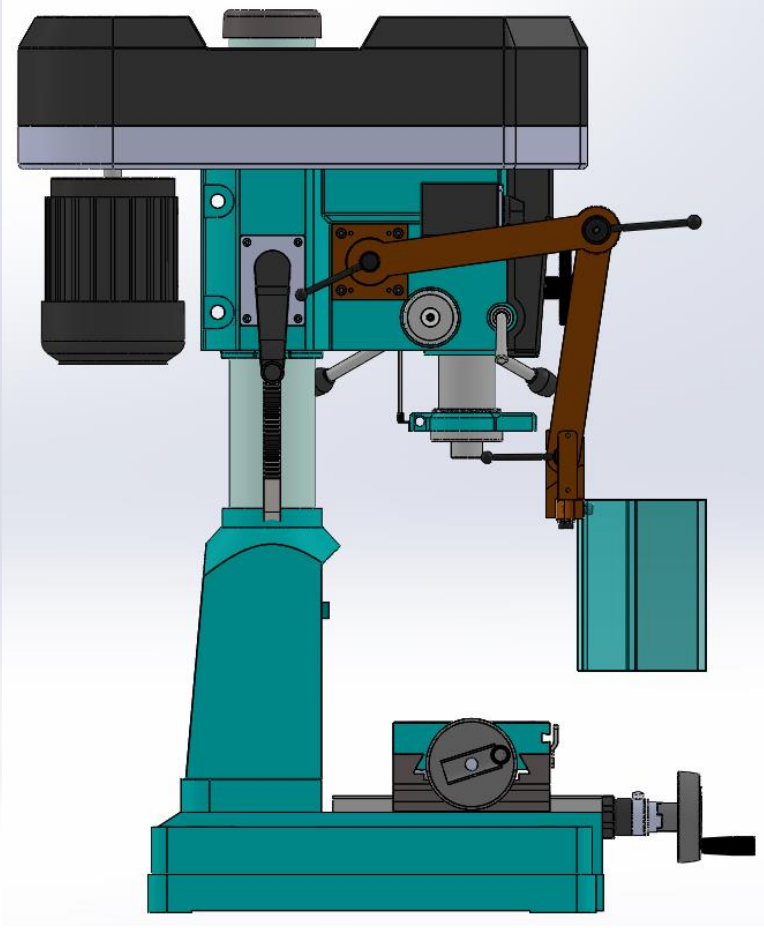
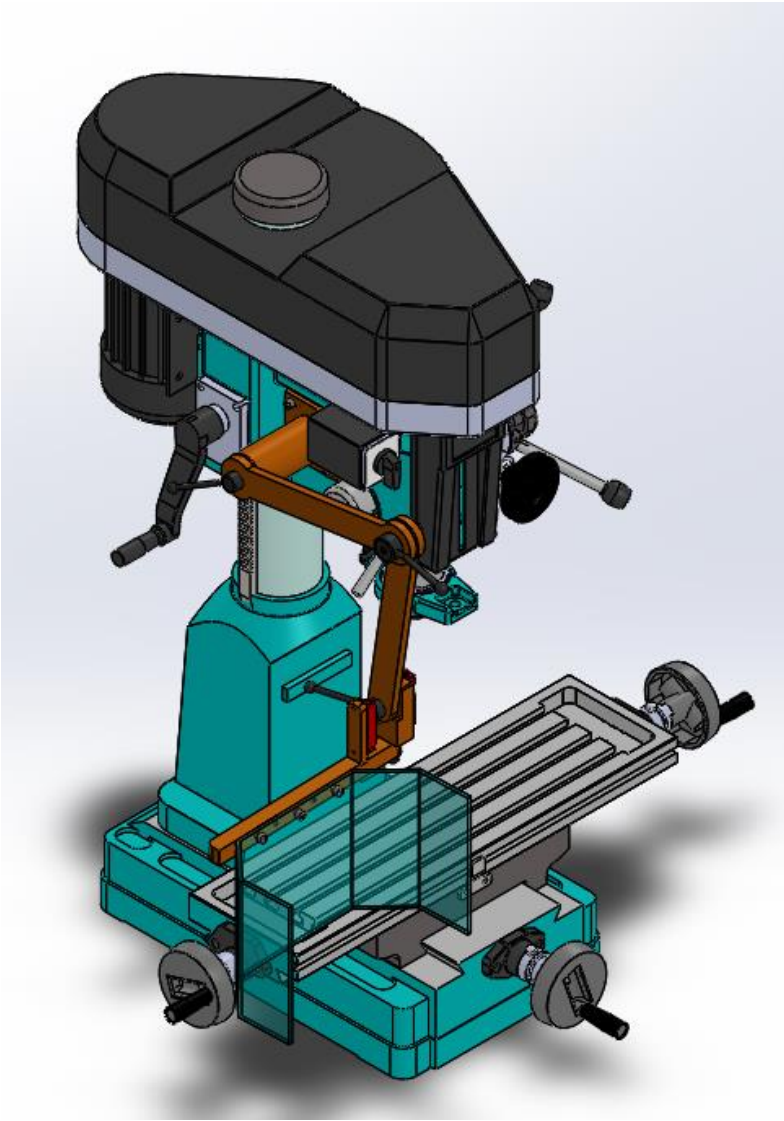
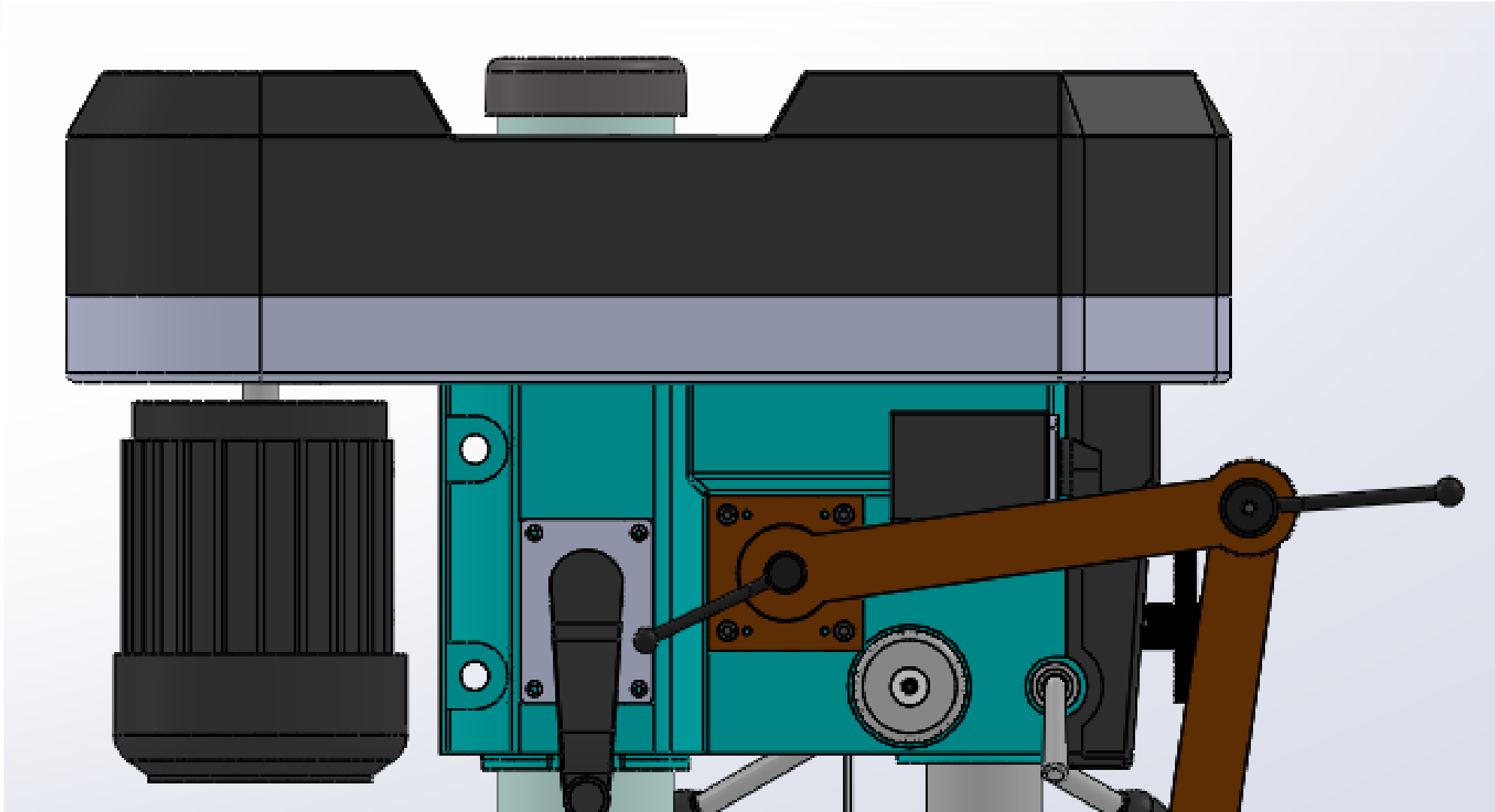


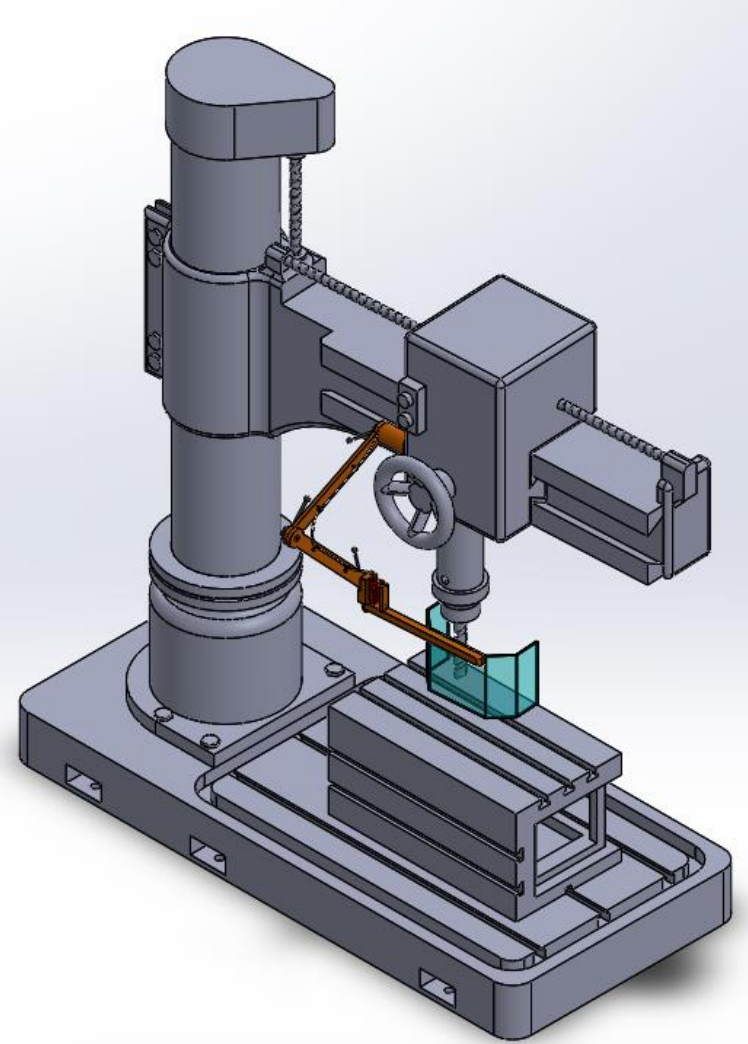
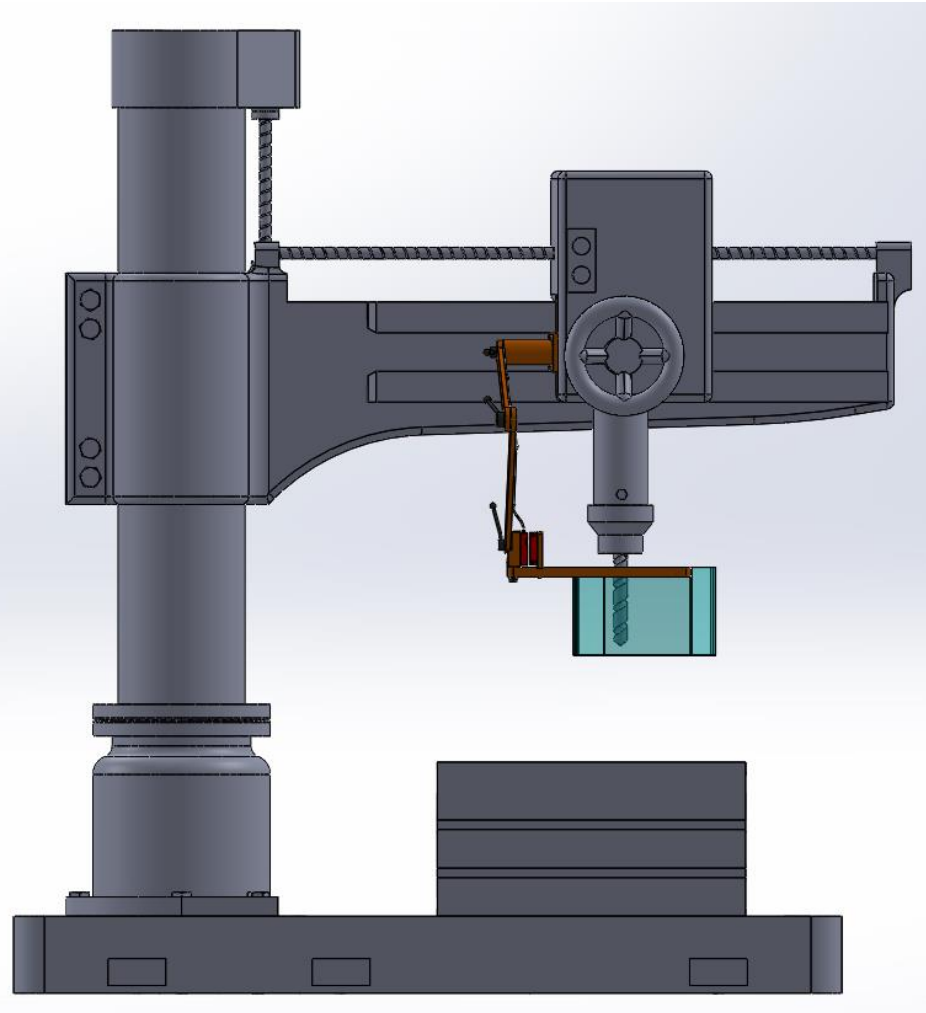
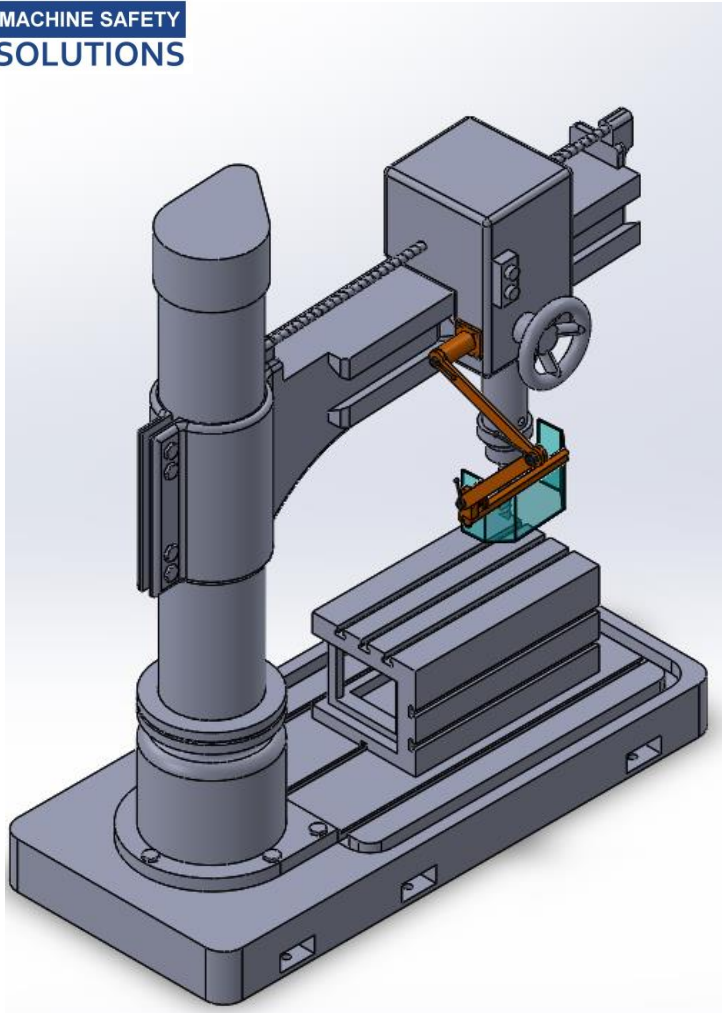
"Universal Mount" Milling / Drilling Machine Guard, Left Hand

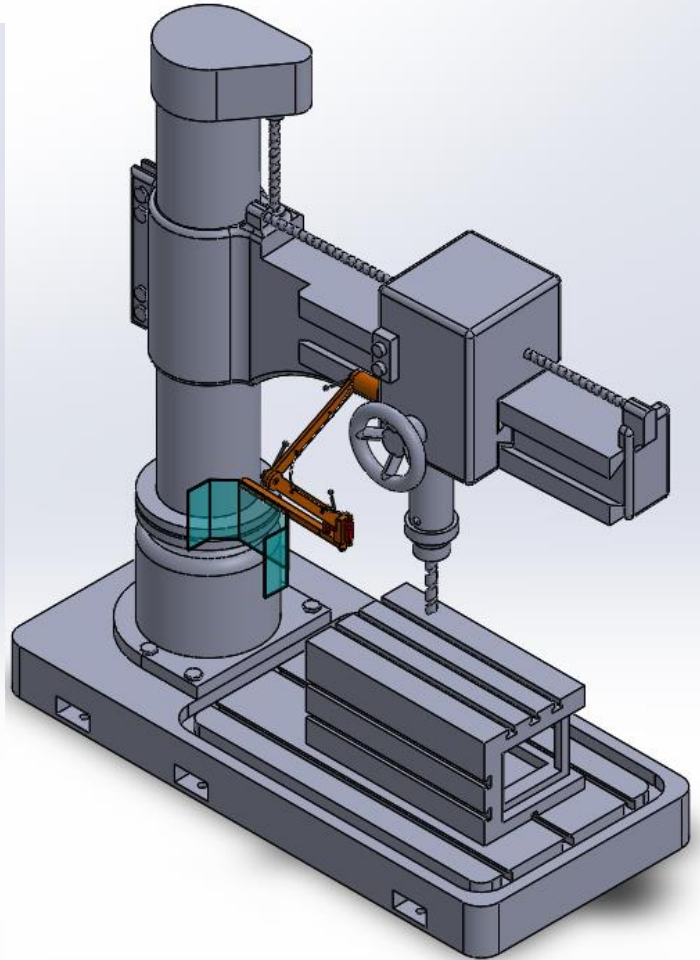
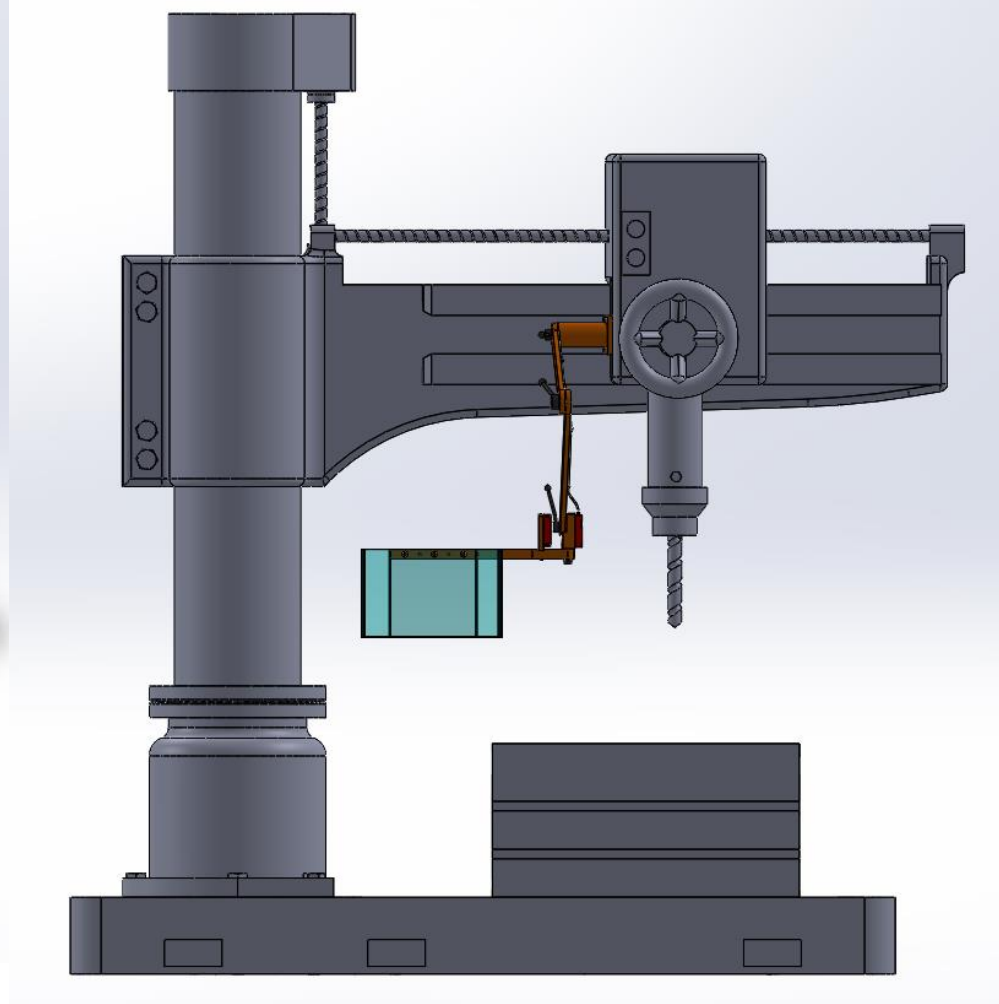
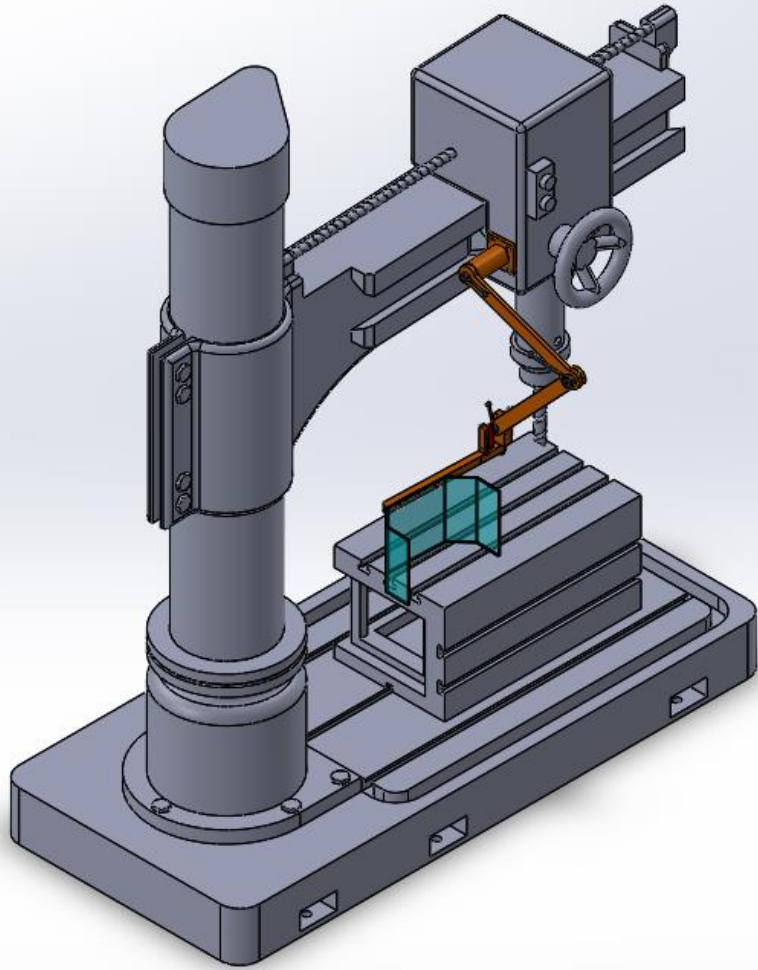
Part # MG-4

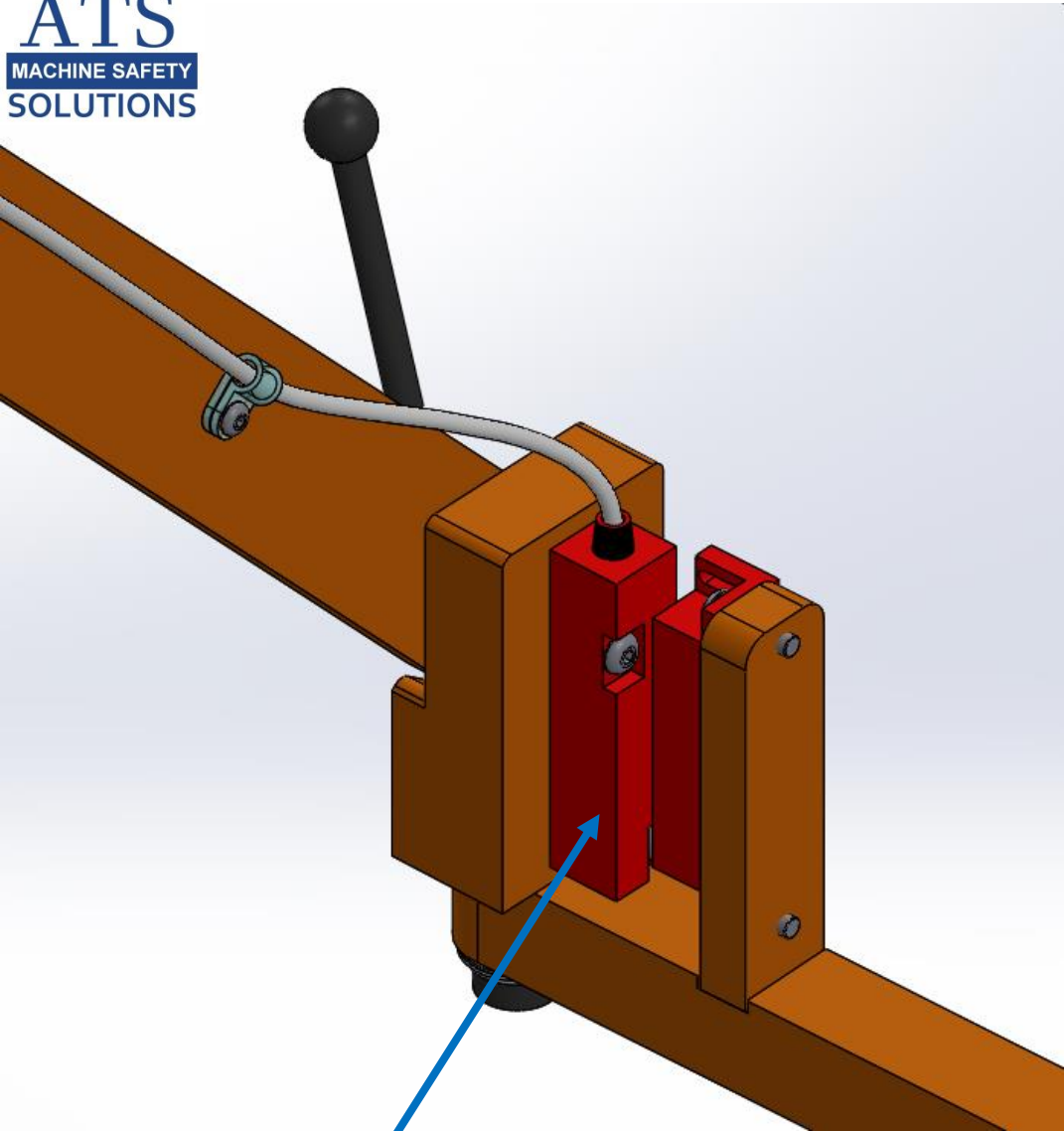




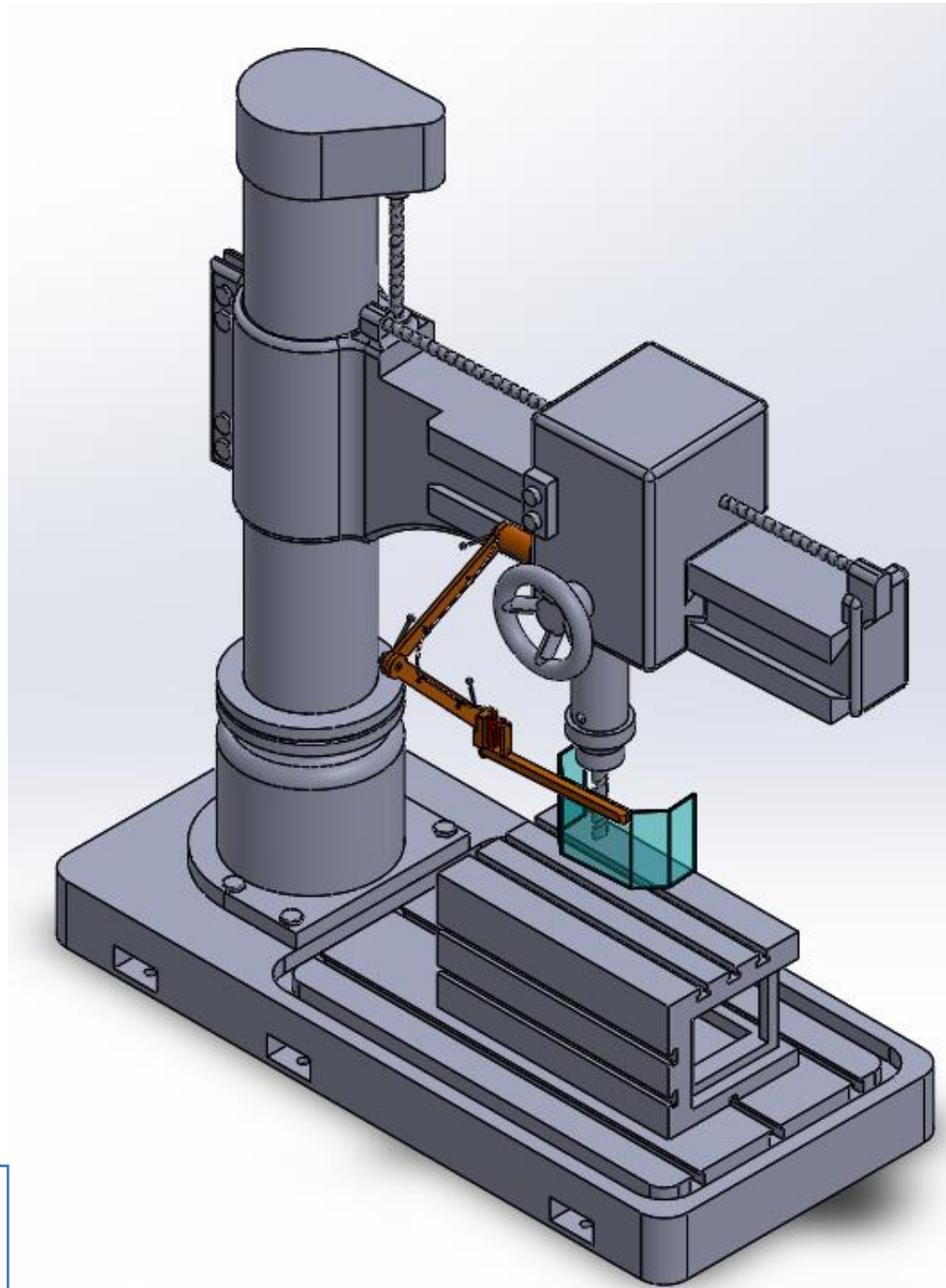


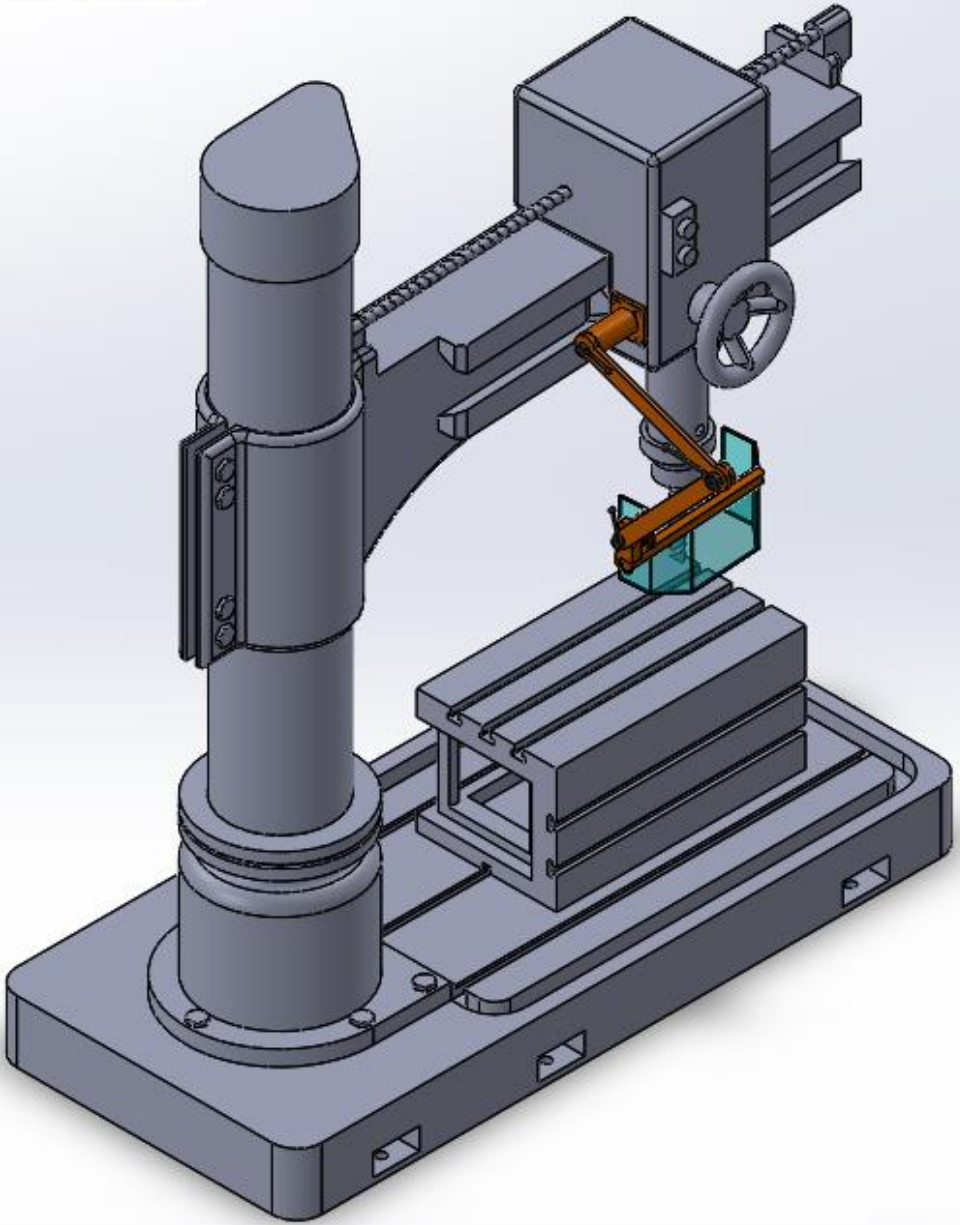






Optional safety switch / interlock.
Coded magnetic safety switch.





The set screws allow you to easily level the mounting plate to an uneven surface

