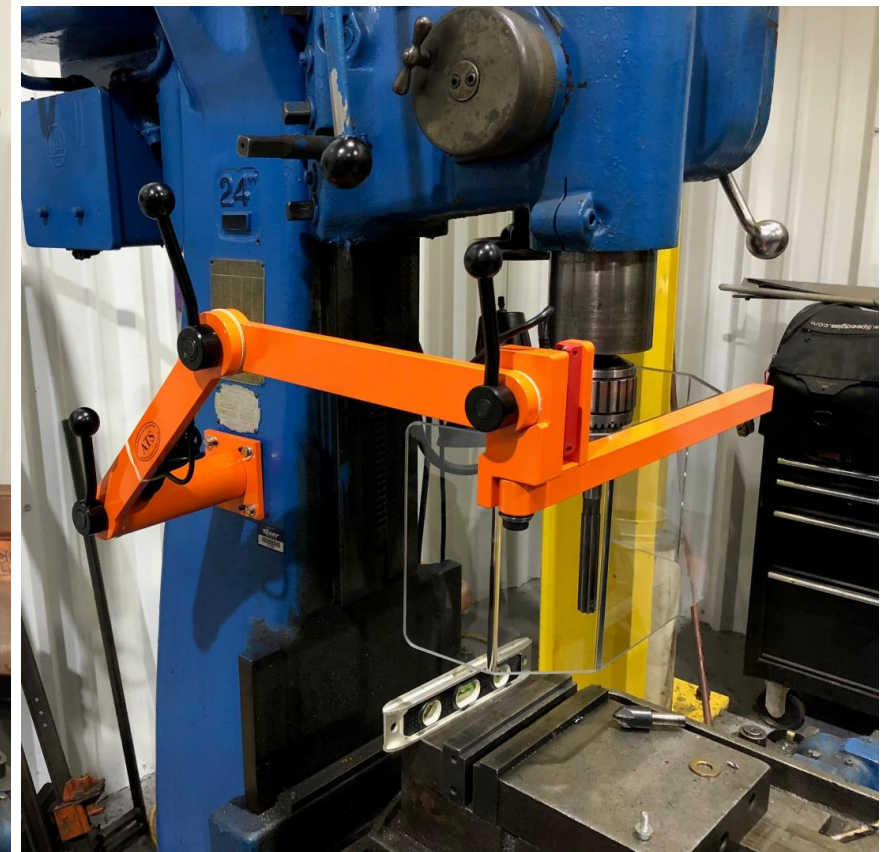
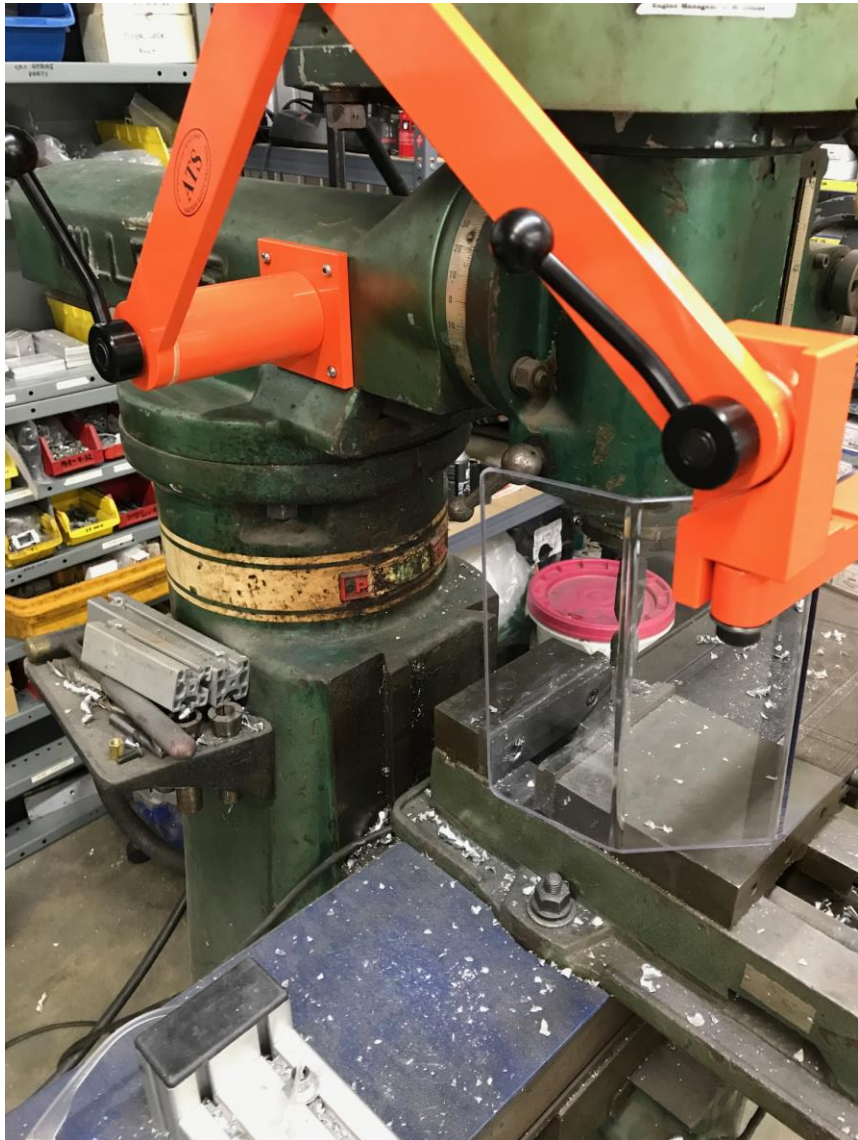


# Universal Mount'' Milling / Drilling Machine Guard Part # MG-4

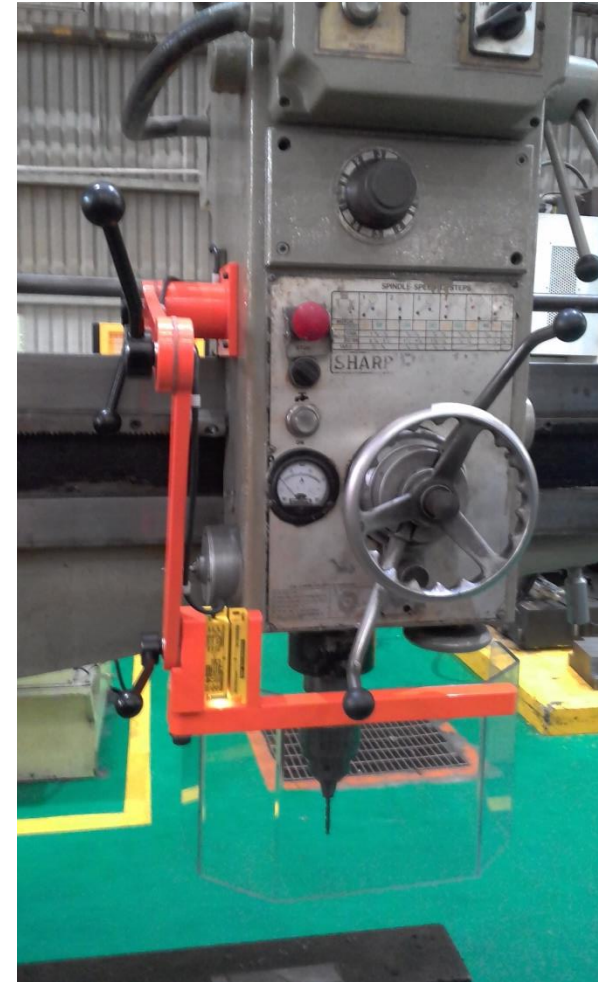
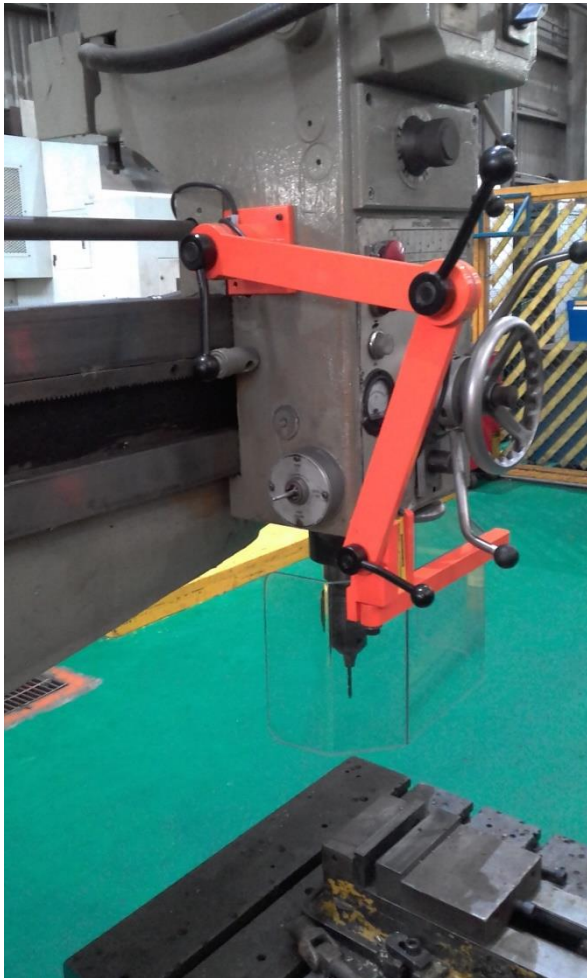




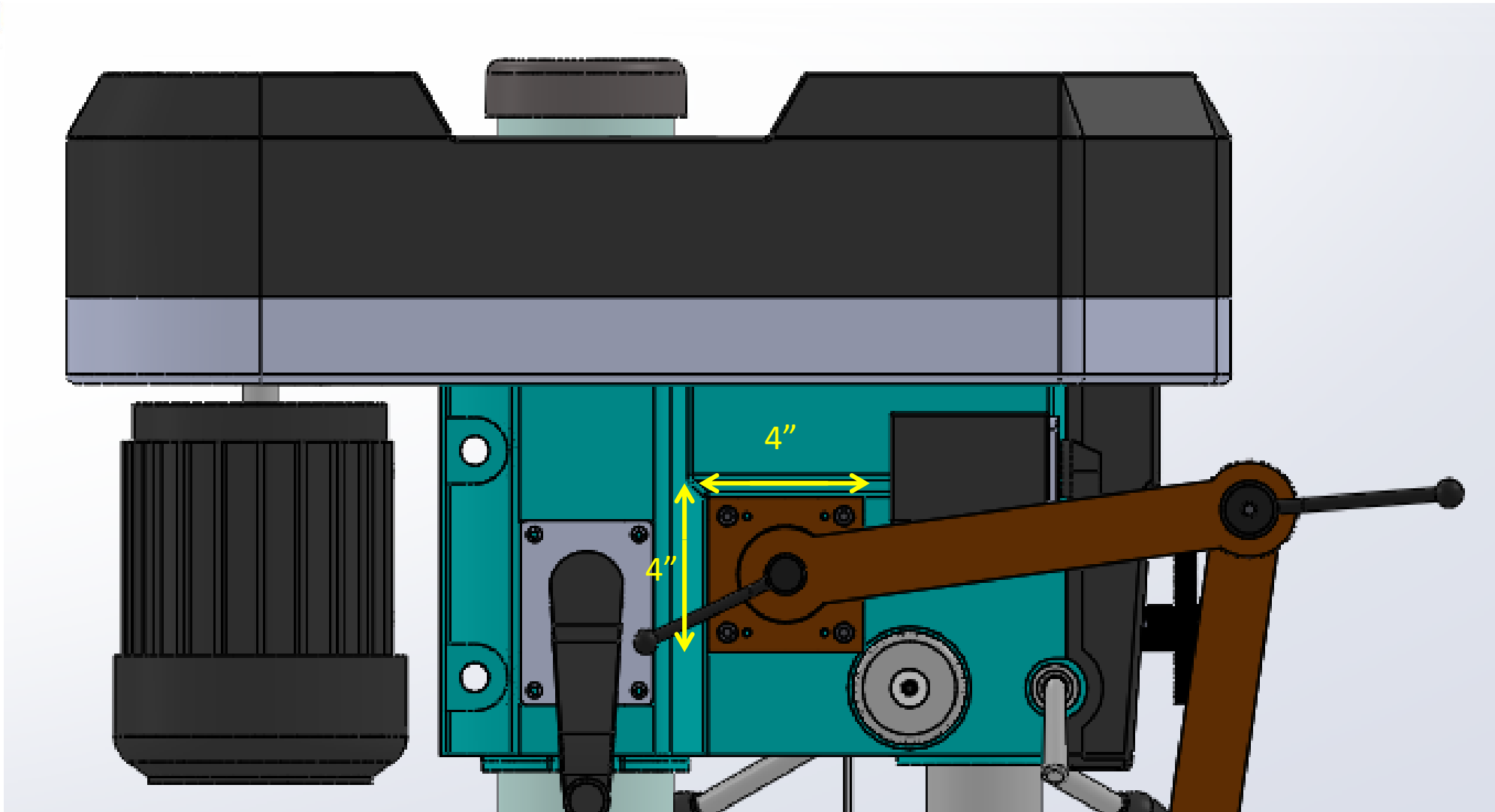




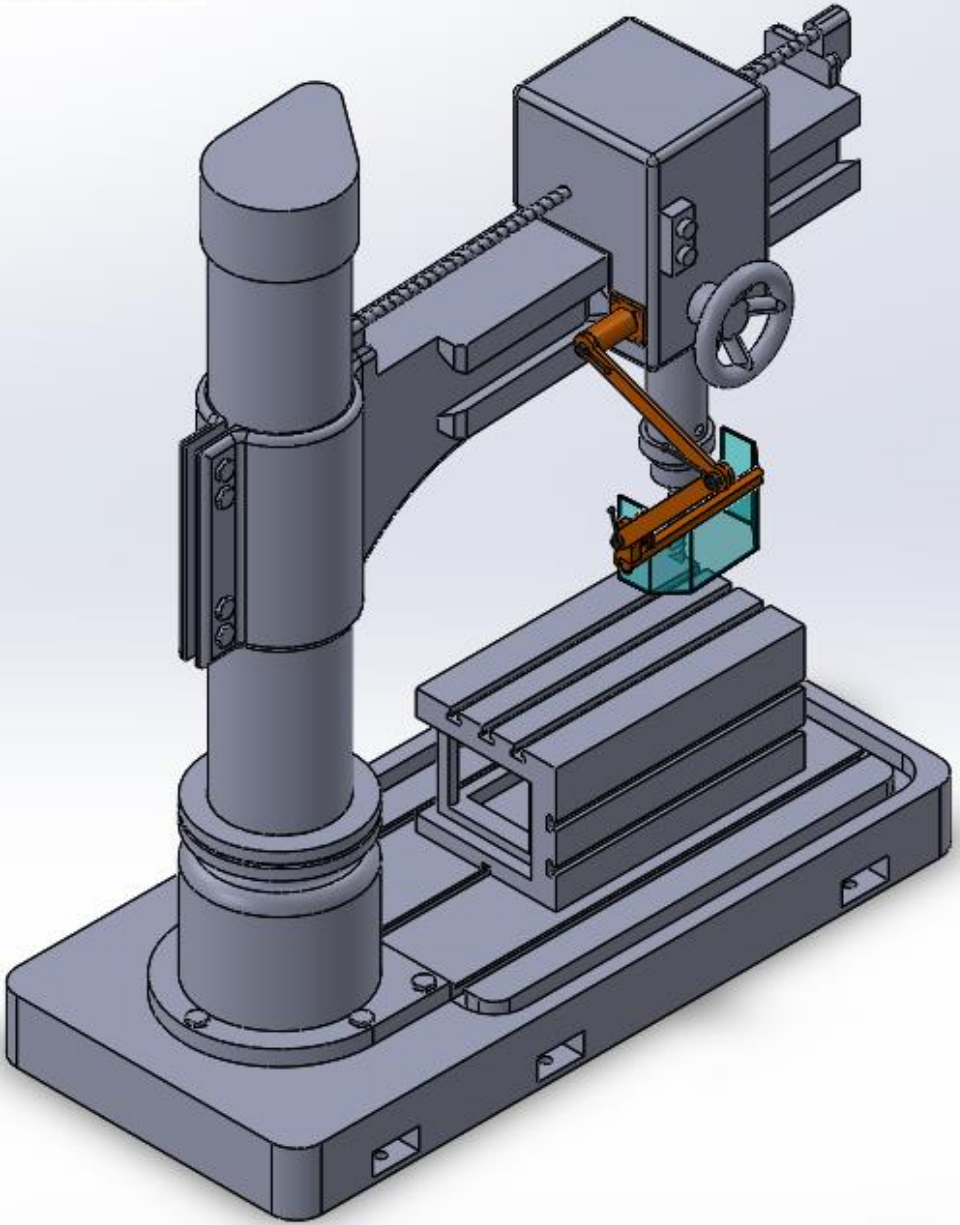
## Part # MG-4 with Safety Switch



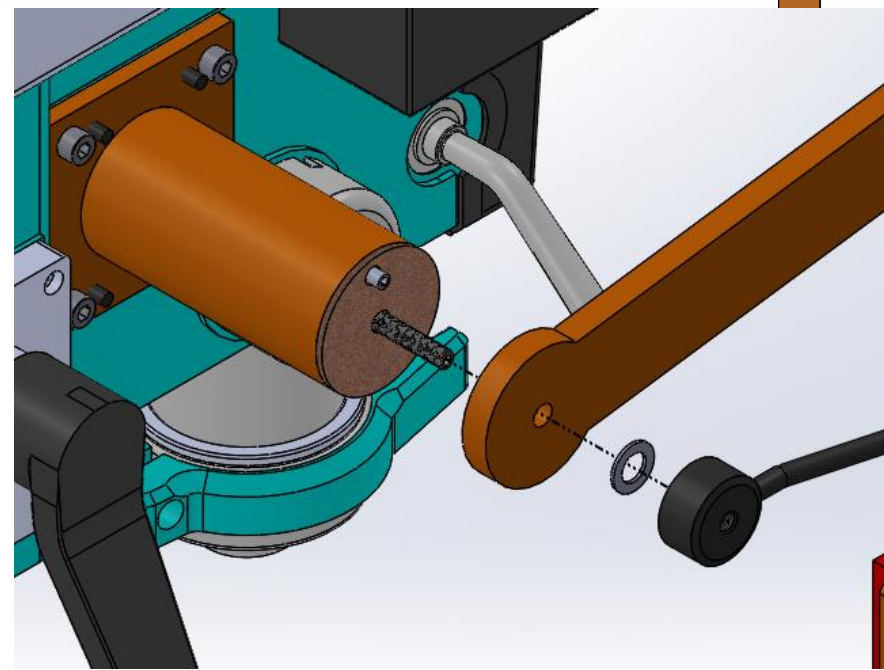
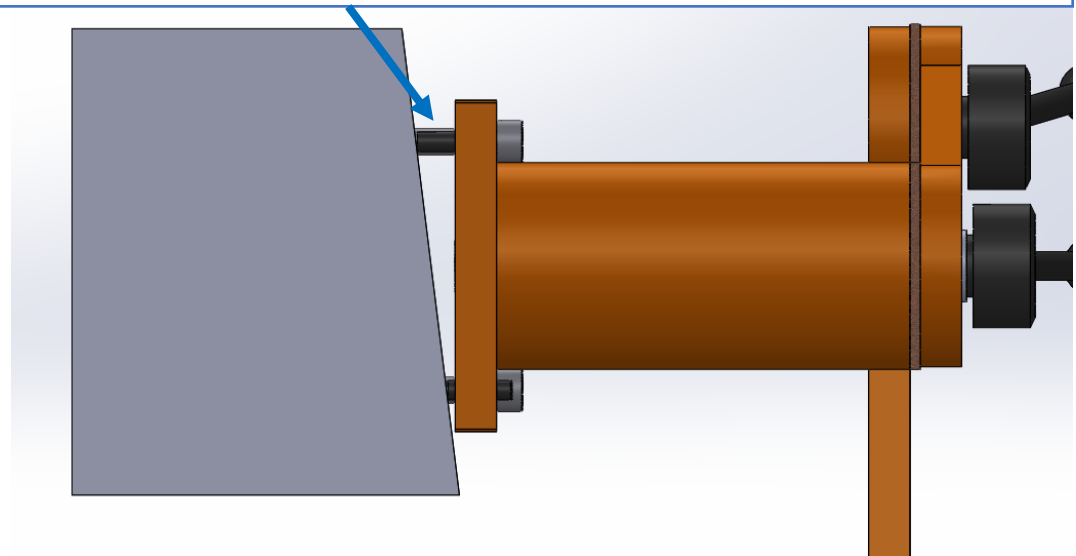
Installed on smaller radial drill press

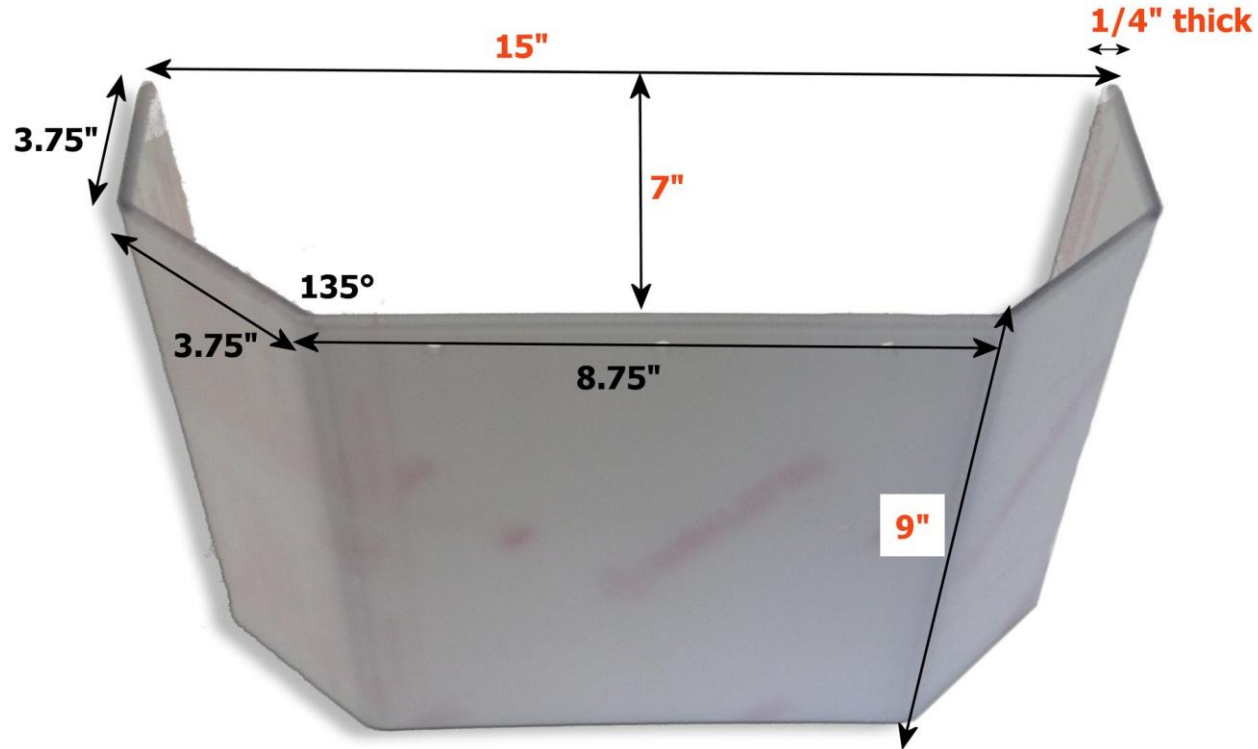


The mounting plate is 4 x 4" Square.



The set screws allow you to easily level the mounting plate to an uneven surface





Note: this is the standard shield that comes with part # MG-4 / MG-4L and the other milling machine guards.

We can make custom sized shields with a quick turn-around time.