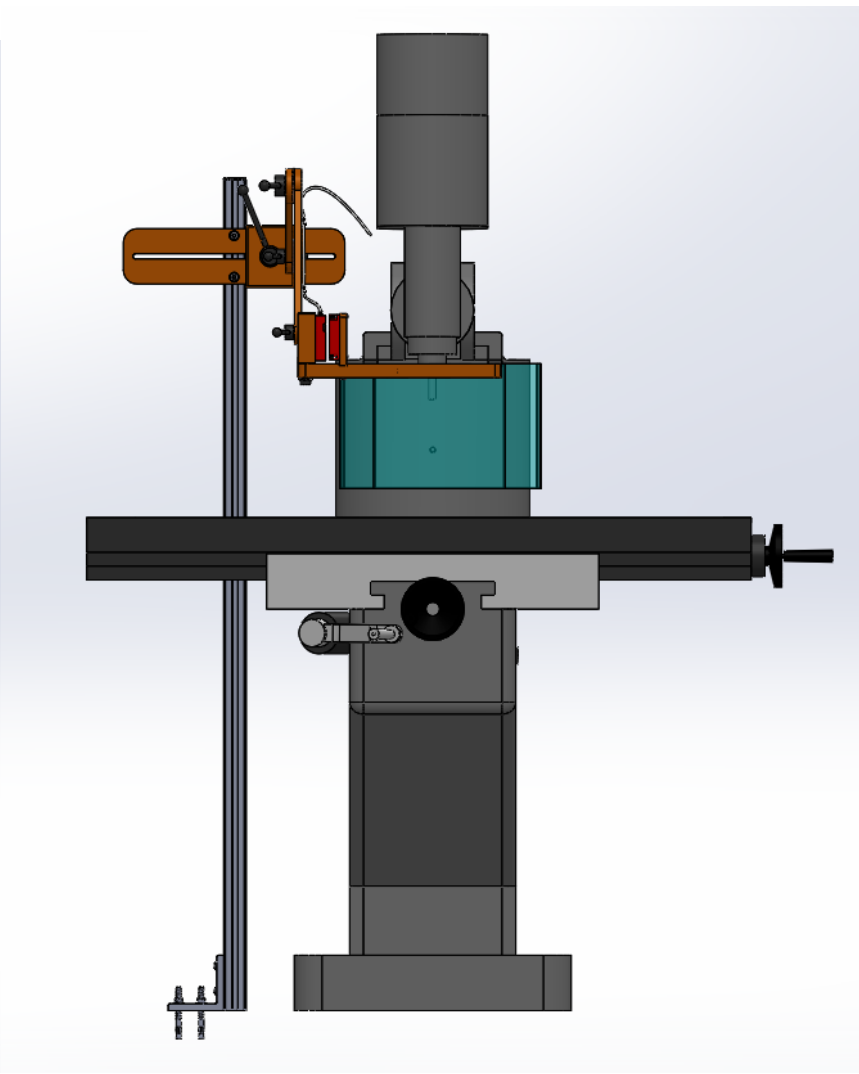
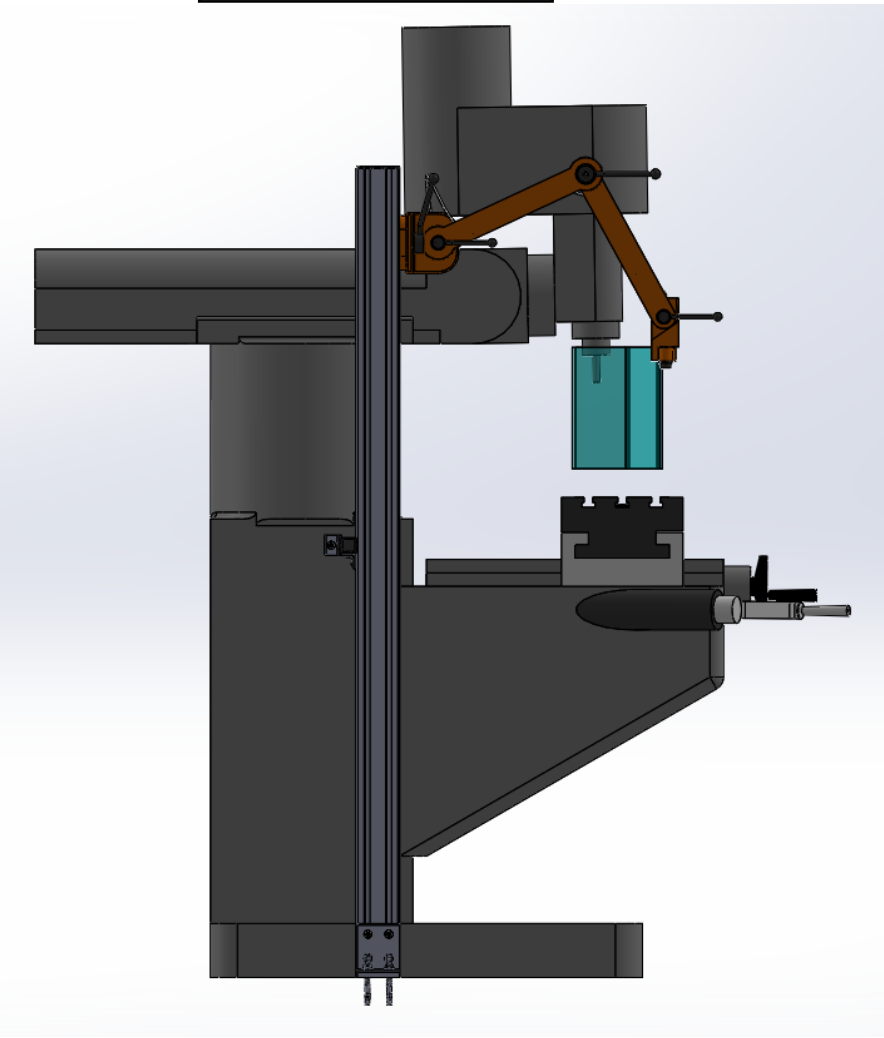
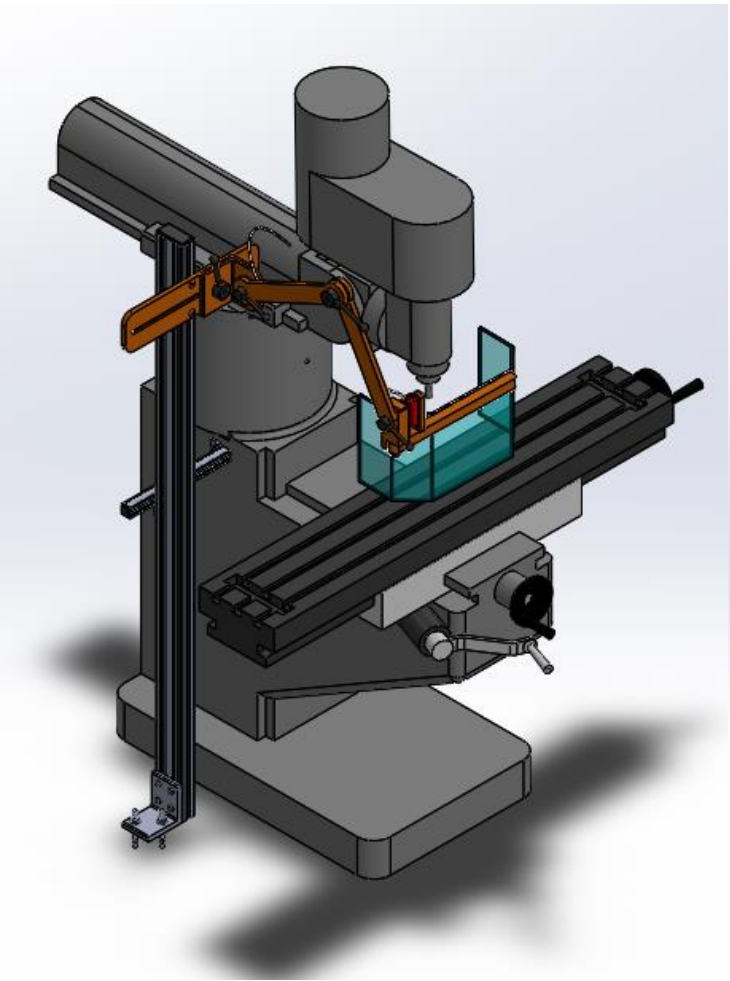
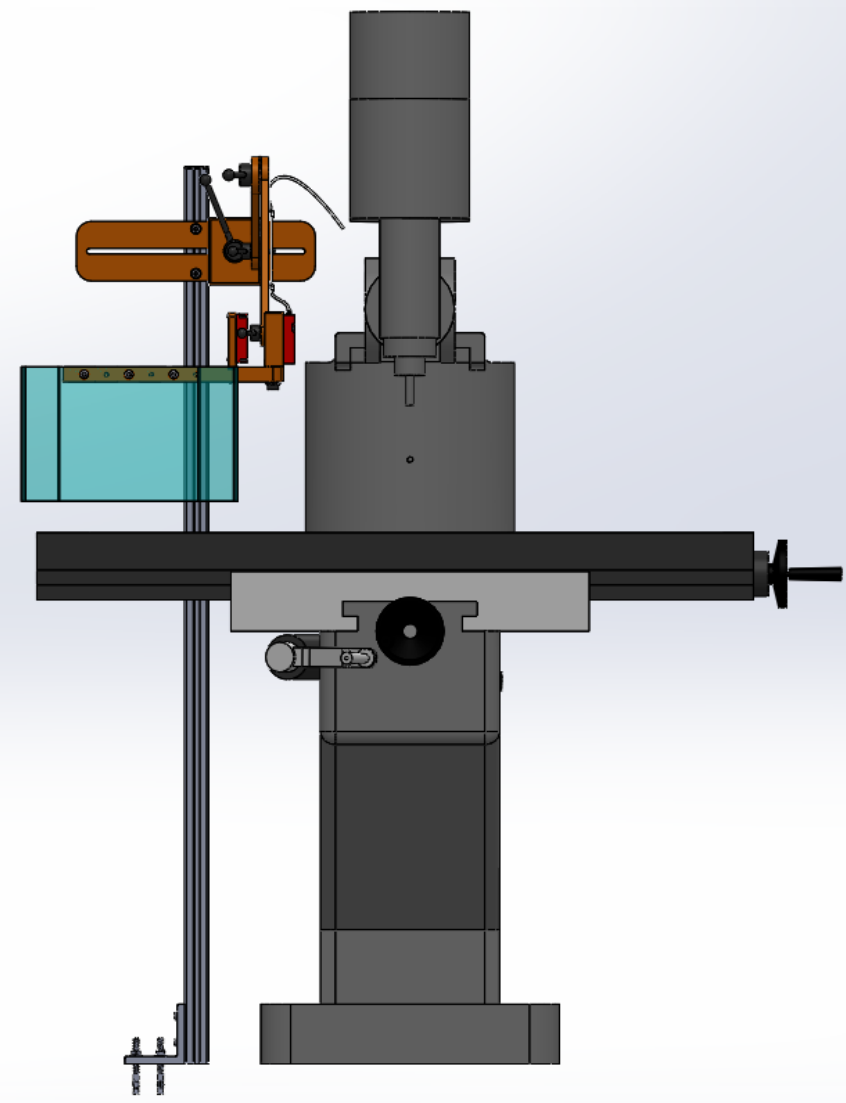
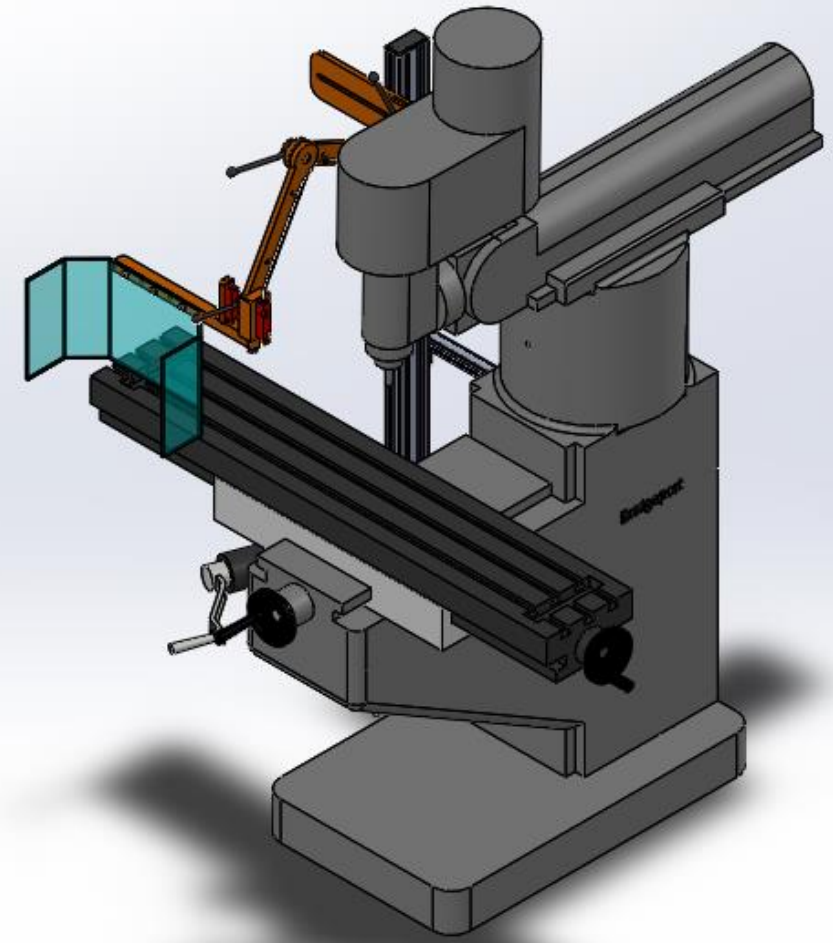
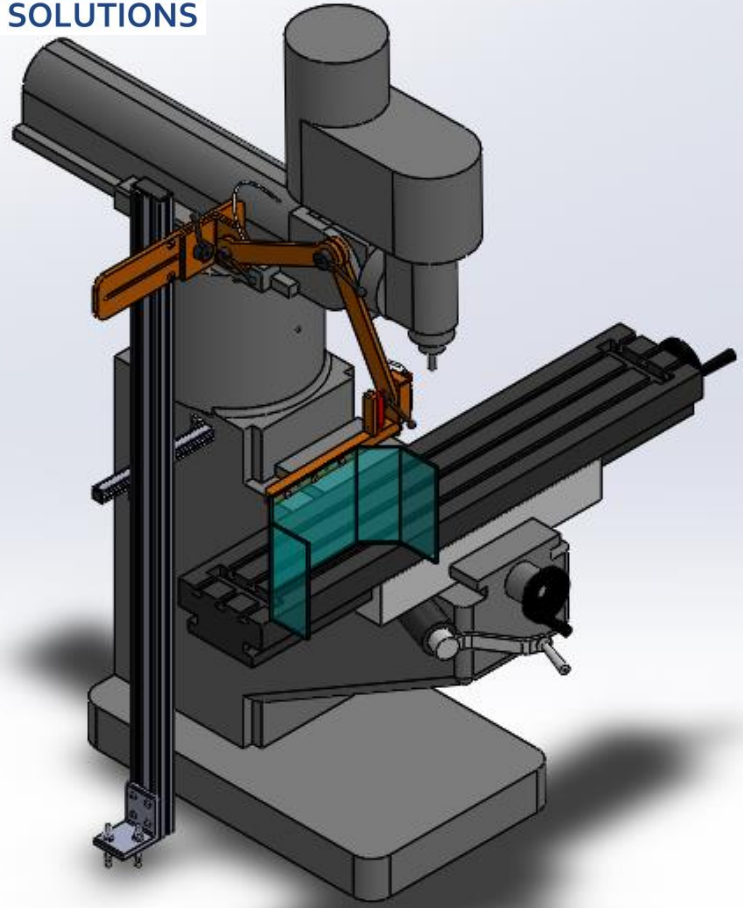
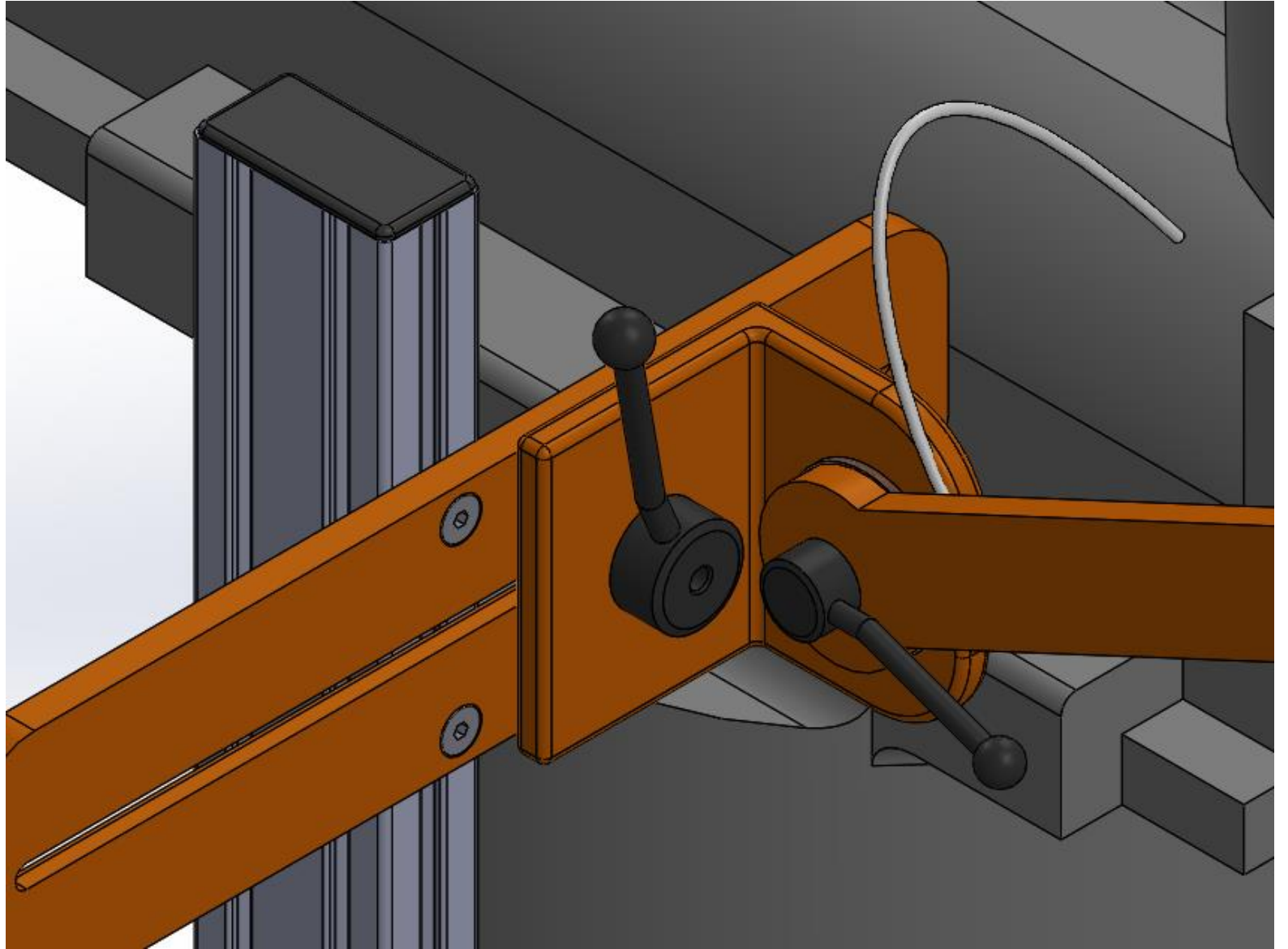
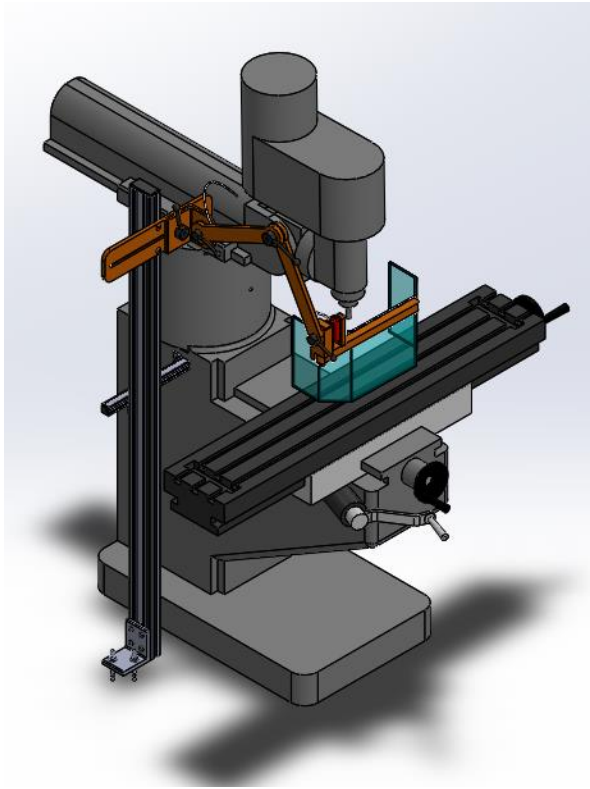


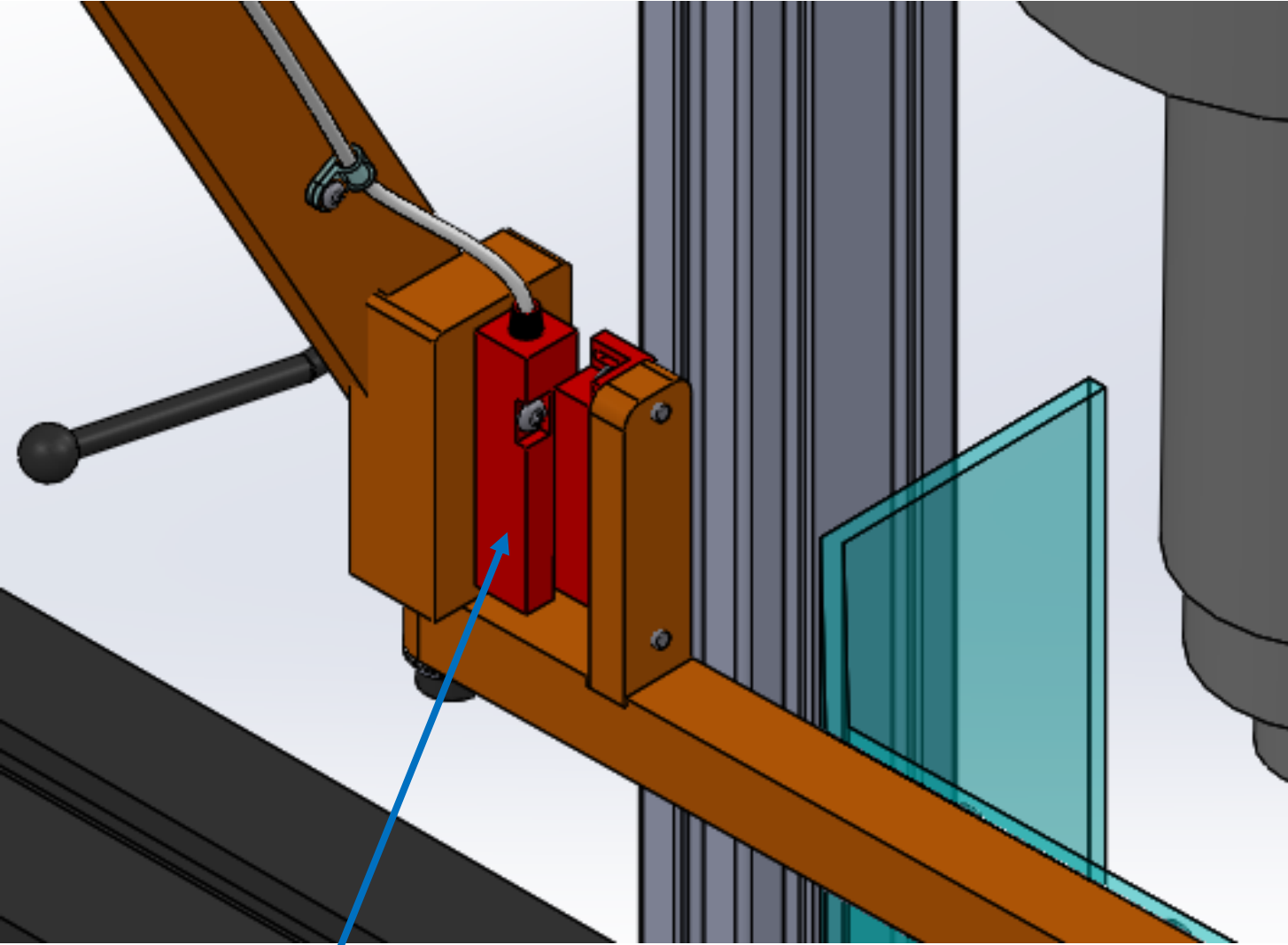
Floor Mount Milling Machine Guard

Part # MG-1

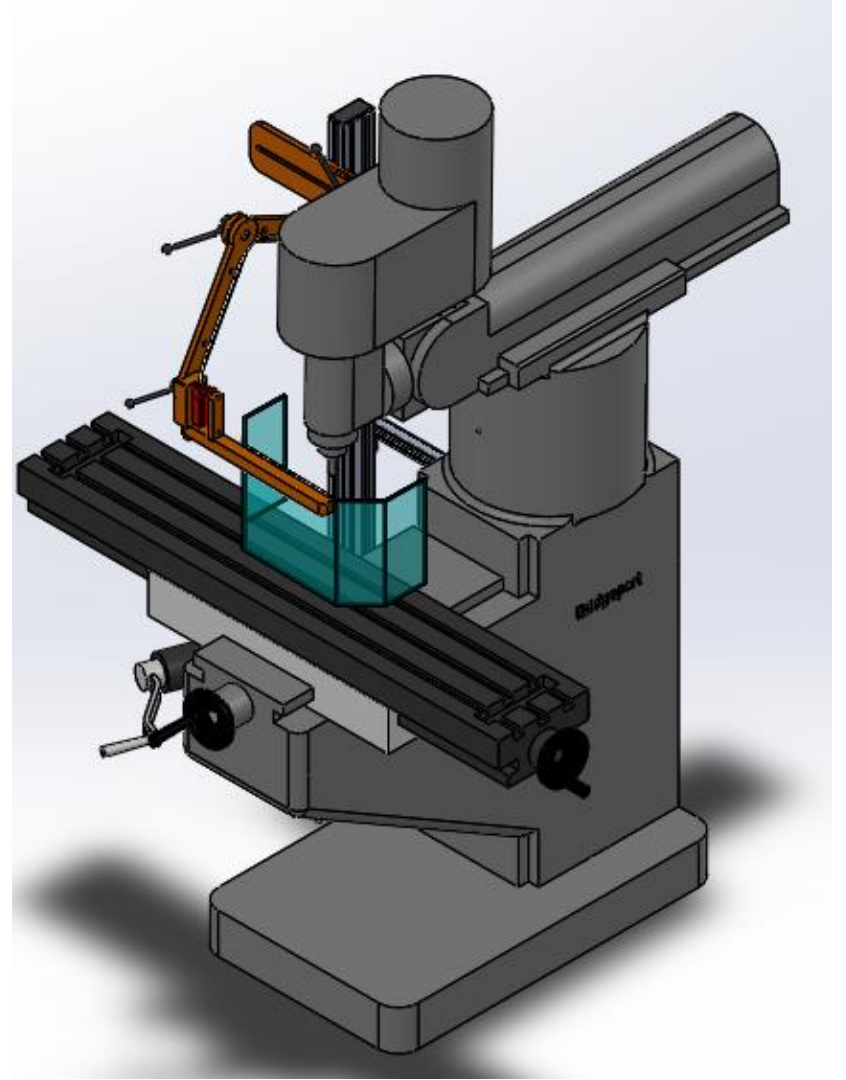


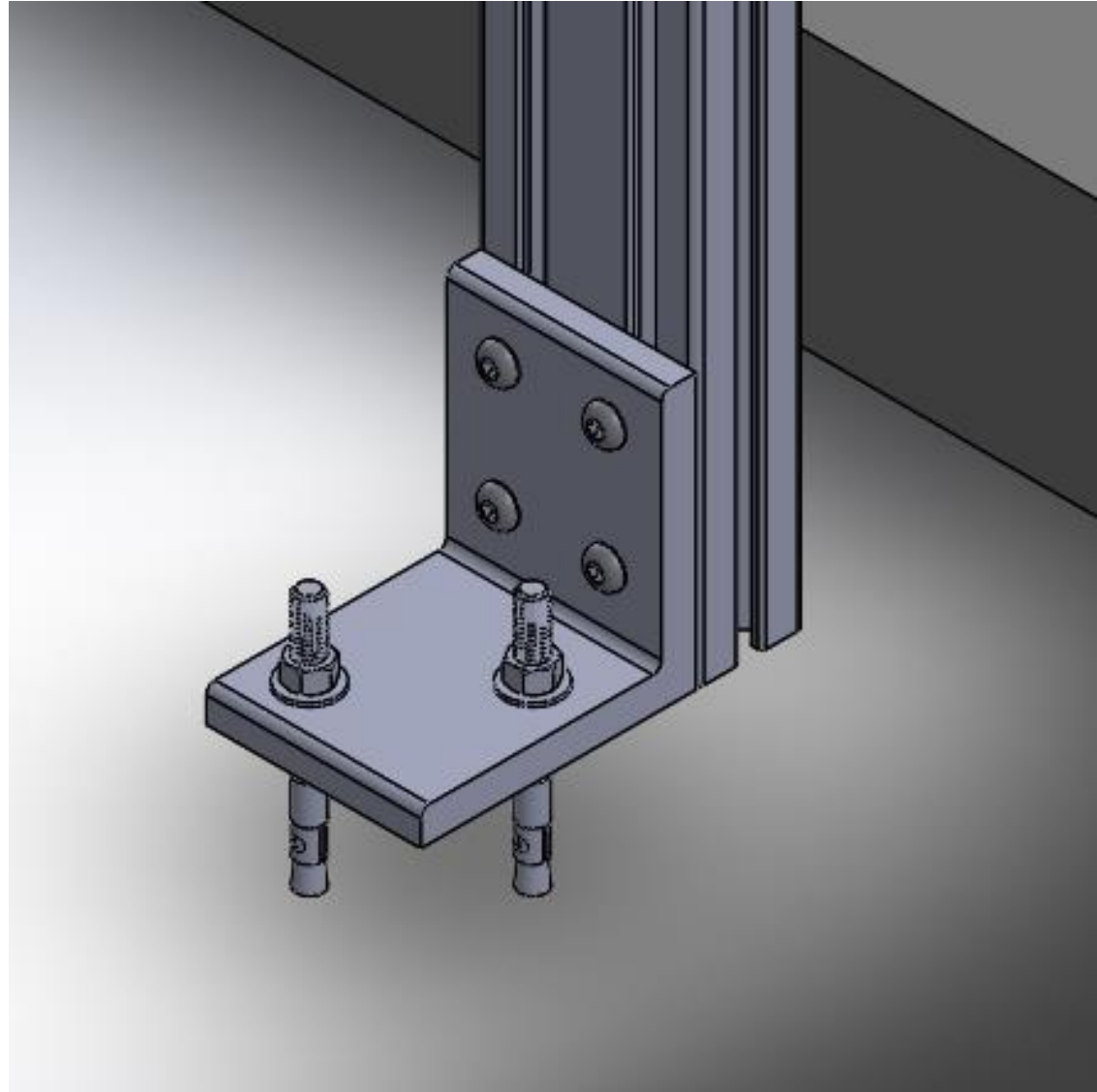
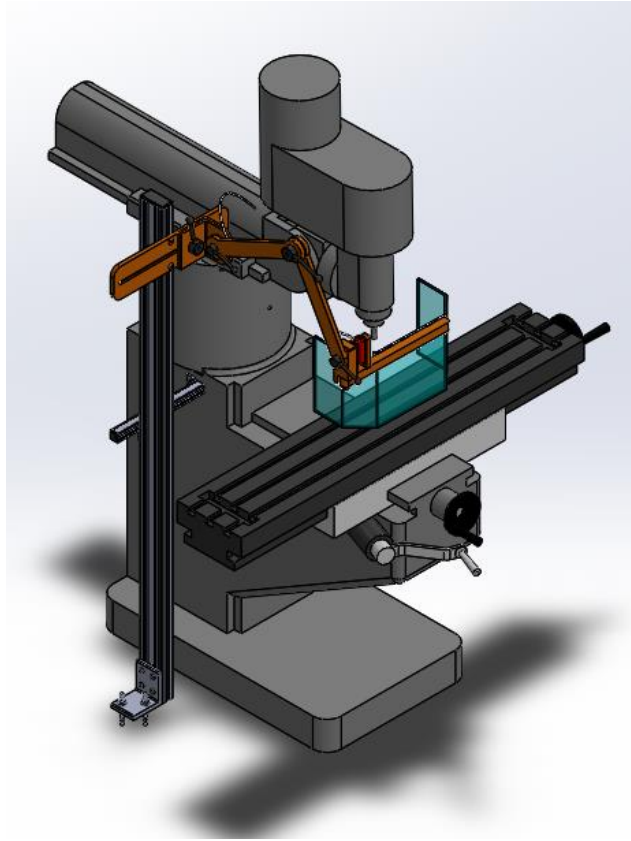






Optional safety switch / interlock.
Magnetic safety switch.

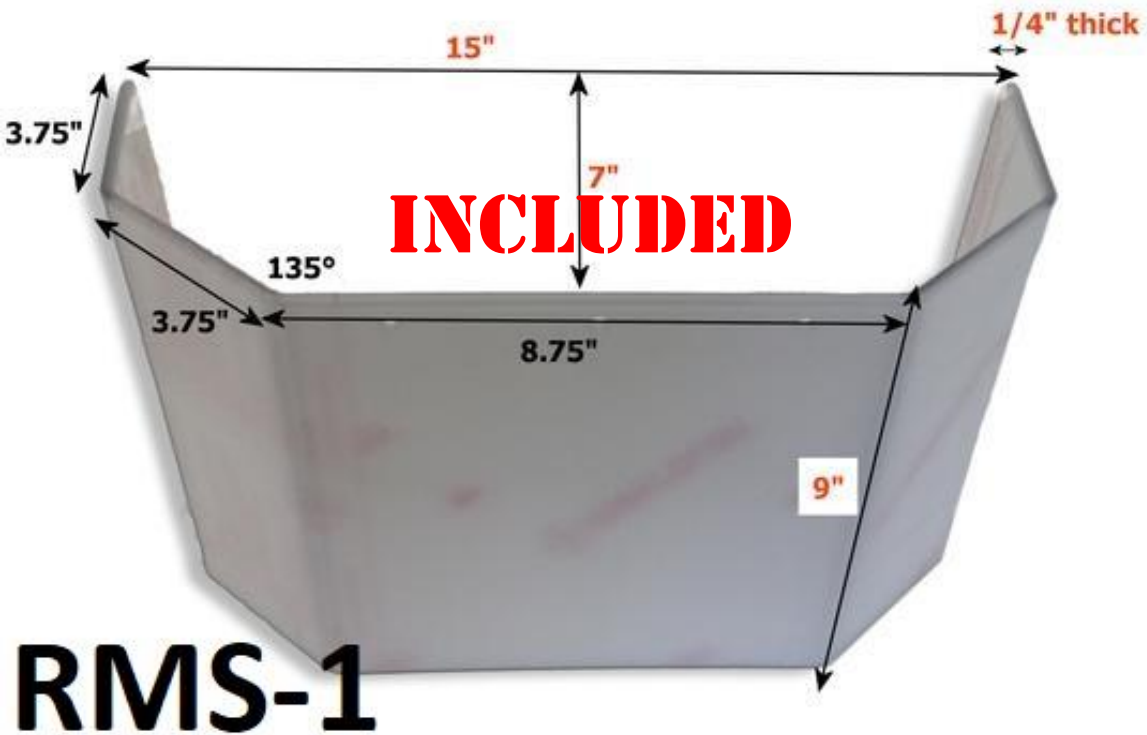




The MG-1 comes with the curved lexan shield, RMS-1.

The Optional flat shield is used when the curved shield is not possible, such as when using a rotary indexer, or the head is tilted at an angle.

Custom shields available.



Replacement curved Mill shield

OPTIONAL



Replacement mill shield, FLAT