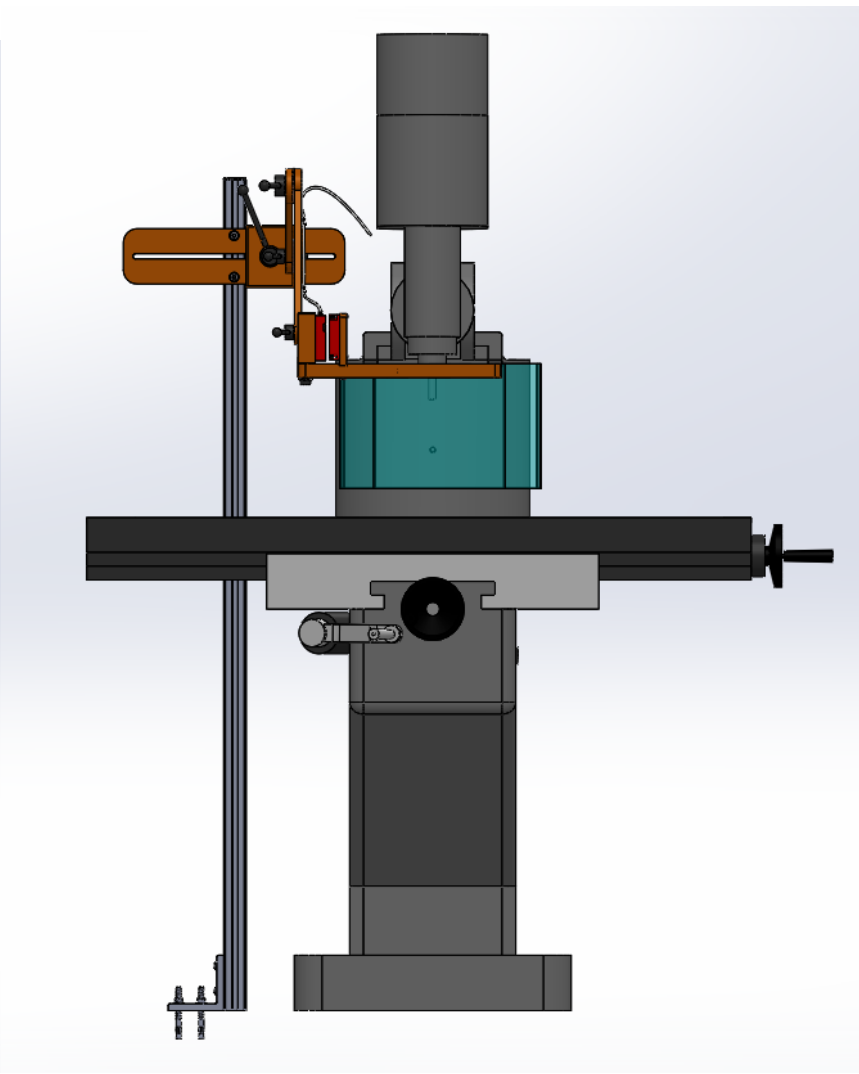
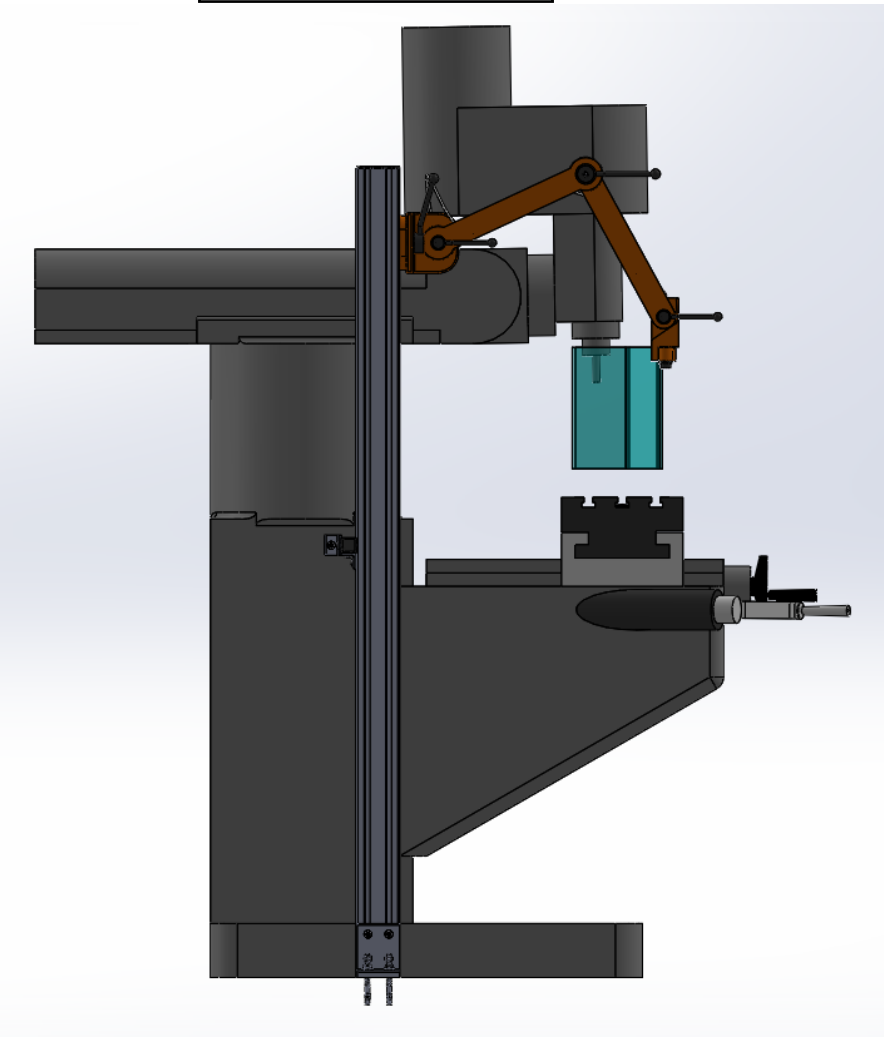
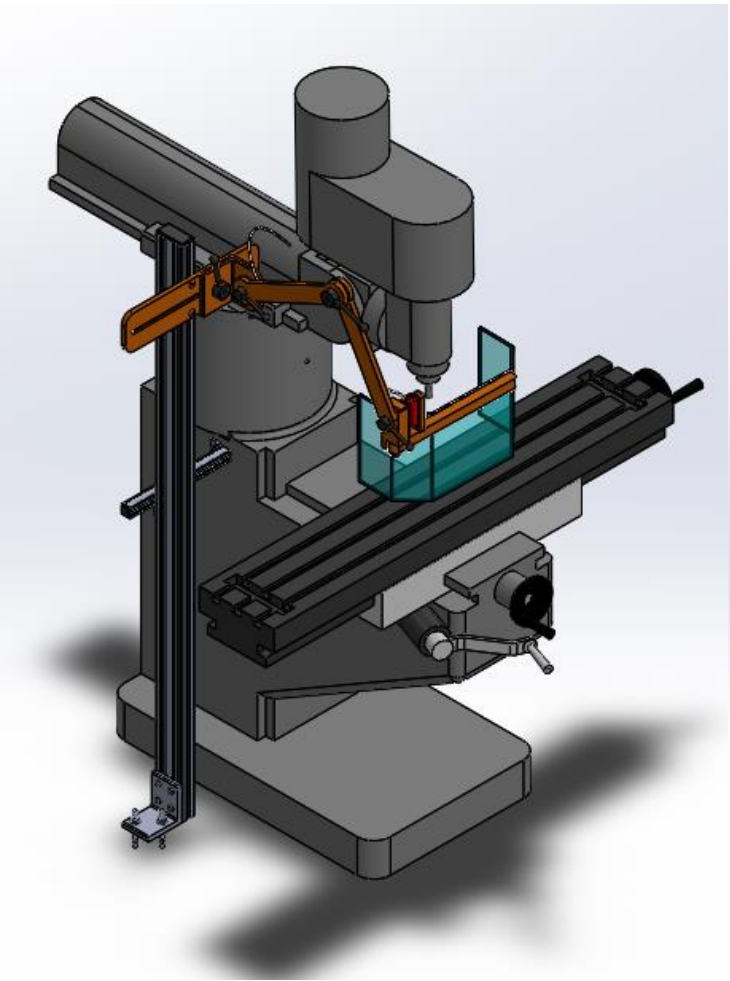
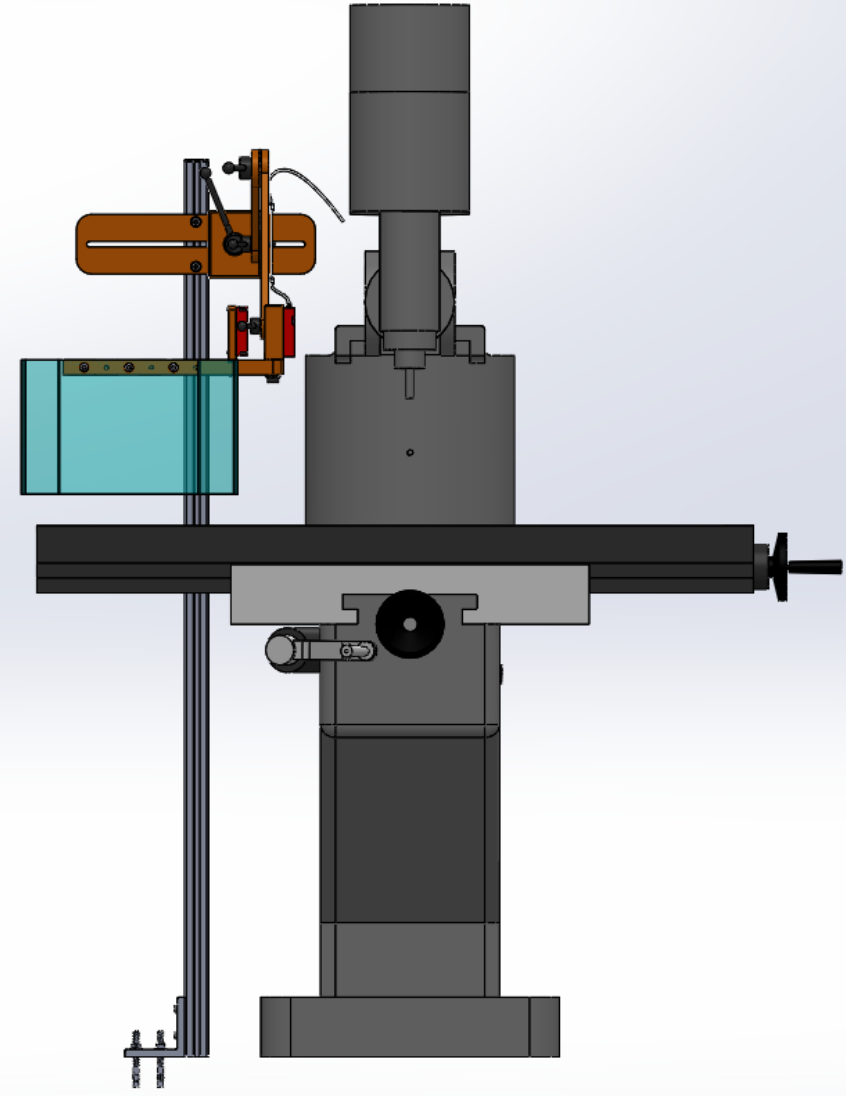
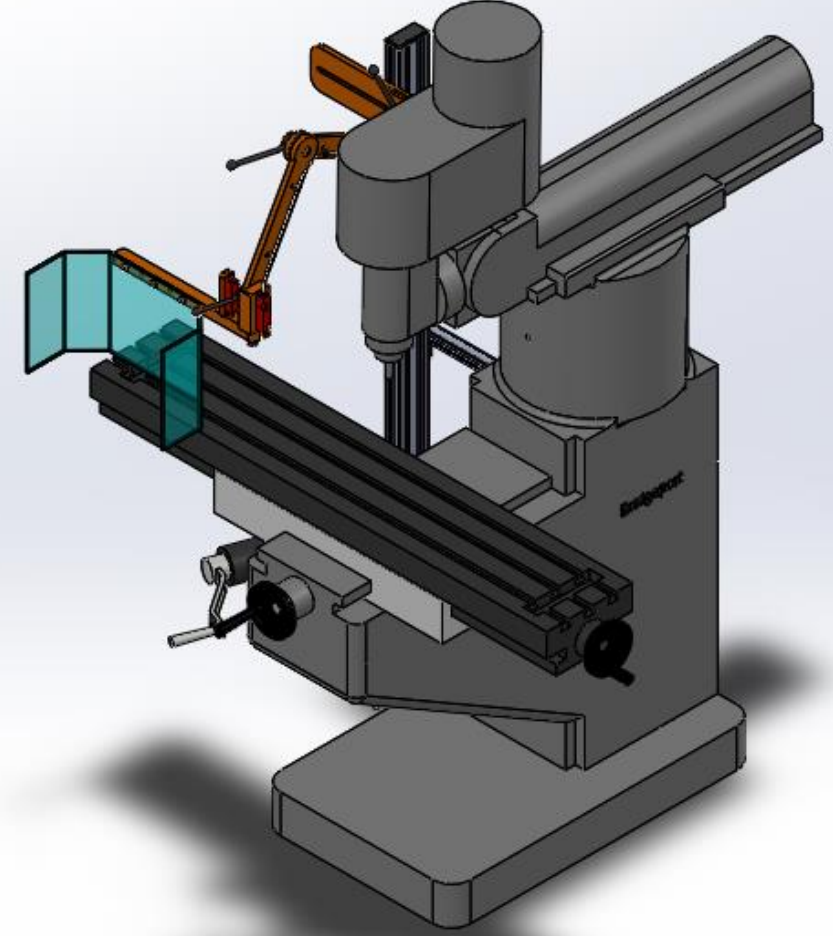
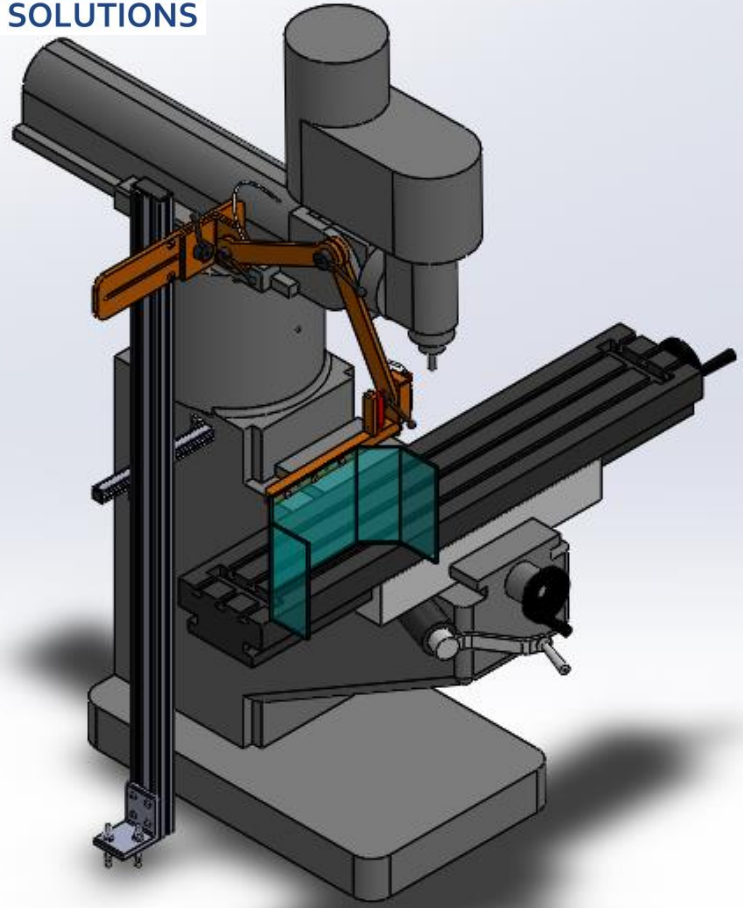
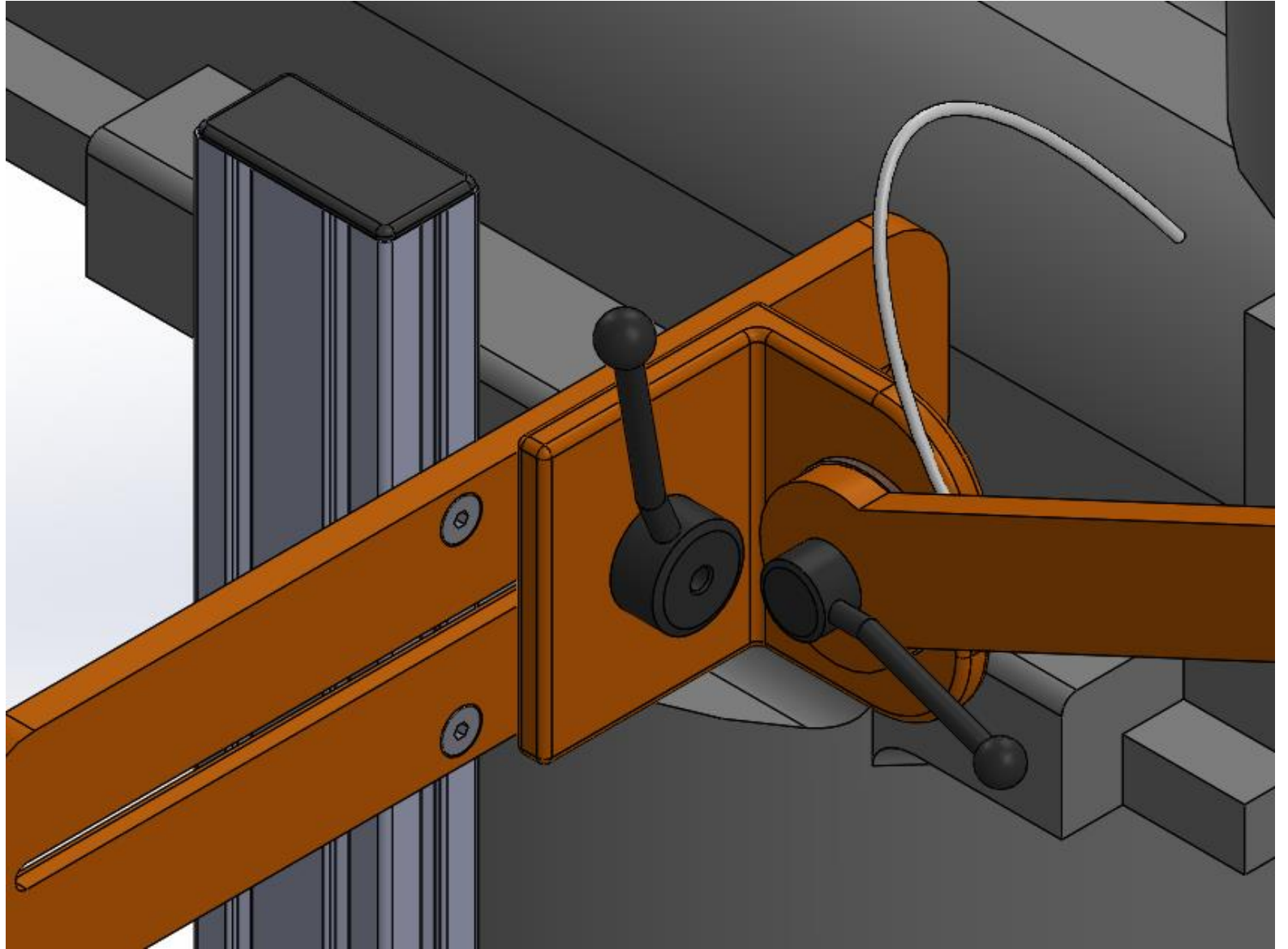
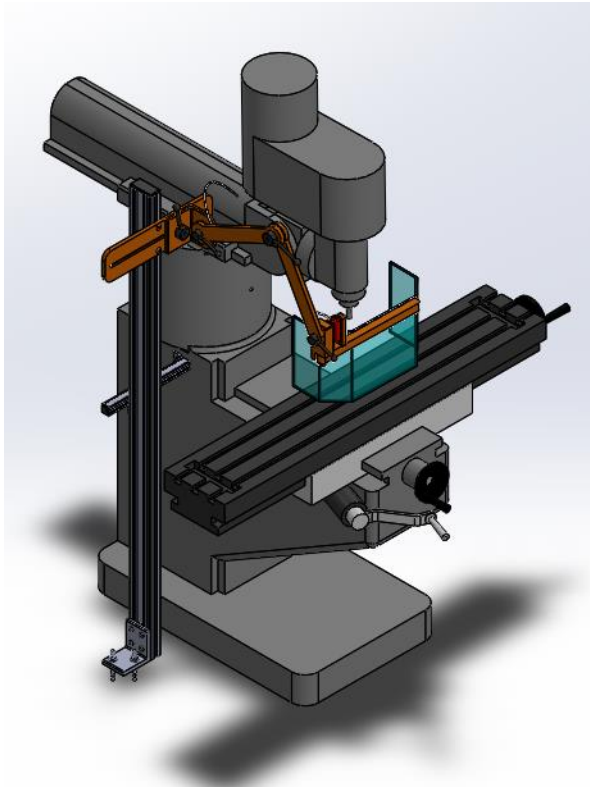


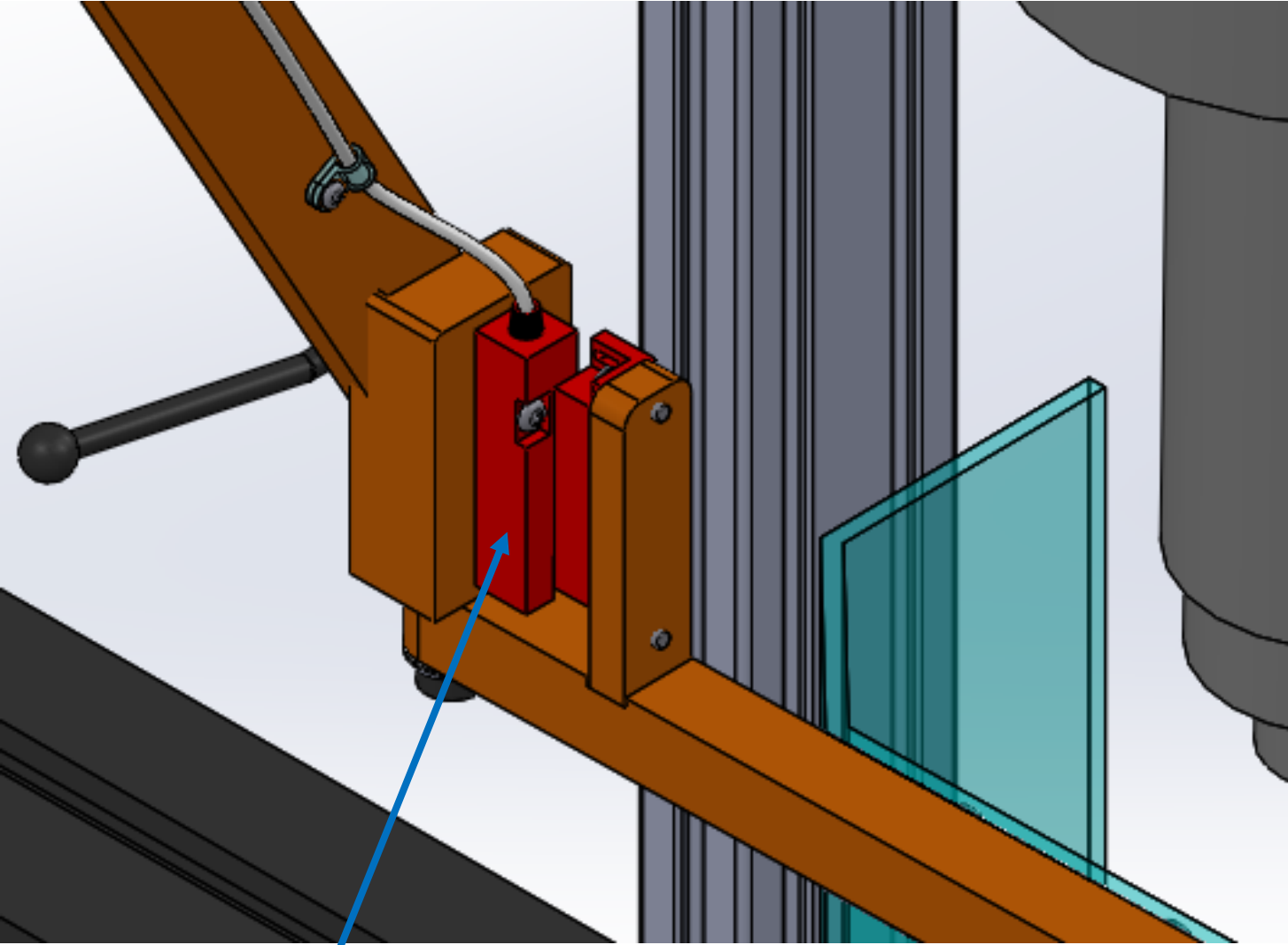
# Floor Mount Milling Machine Guard

Part # MG-1









Optional safety switch / interlock.  
Coded magnetic safety switch.

