

**Please fill out all required measurements.  
Photos from a few angles aid in the design.**

**Customer Name**

---

**Machine Make/Model**

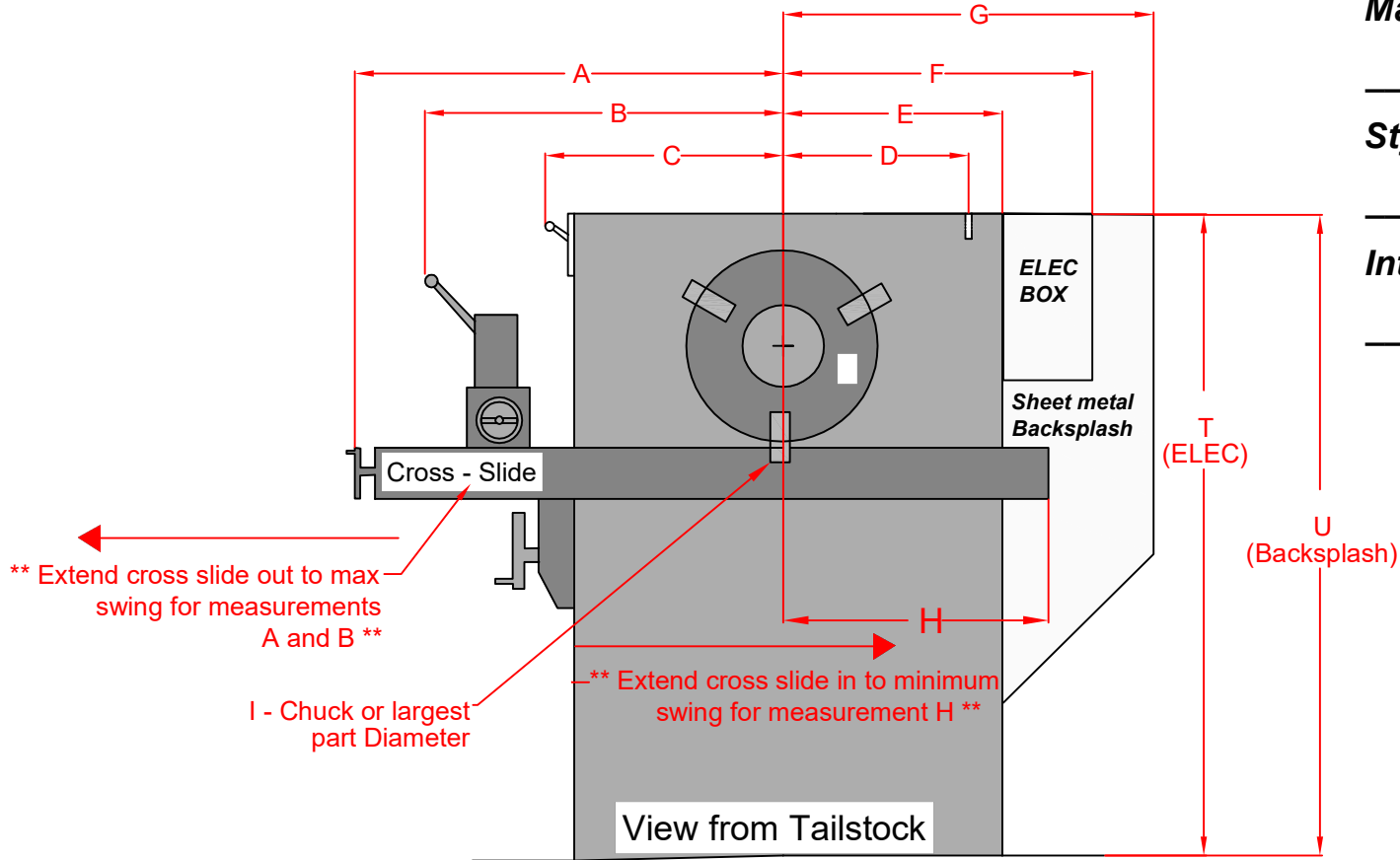
---

**Style of Guard to Quote**

---

**Interlock Required?**

---



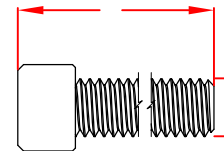
**Overall Length**

---

**Bolt Diameter / Pitch**

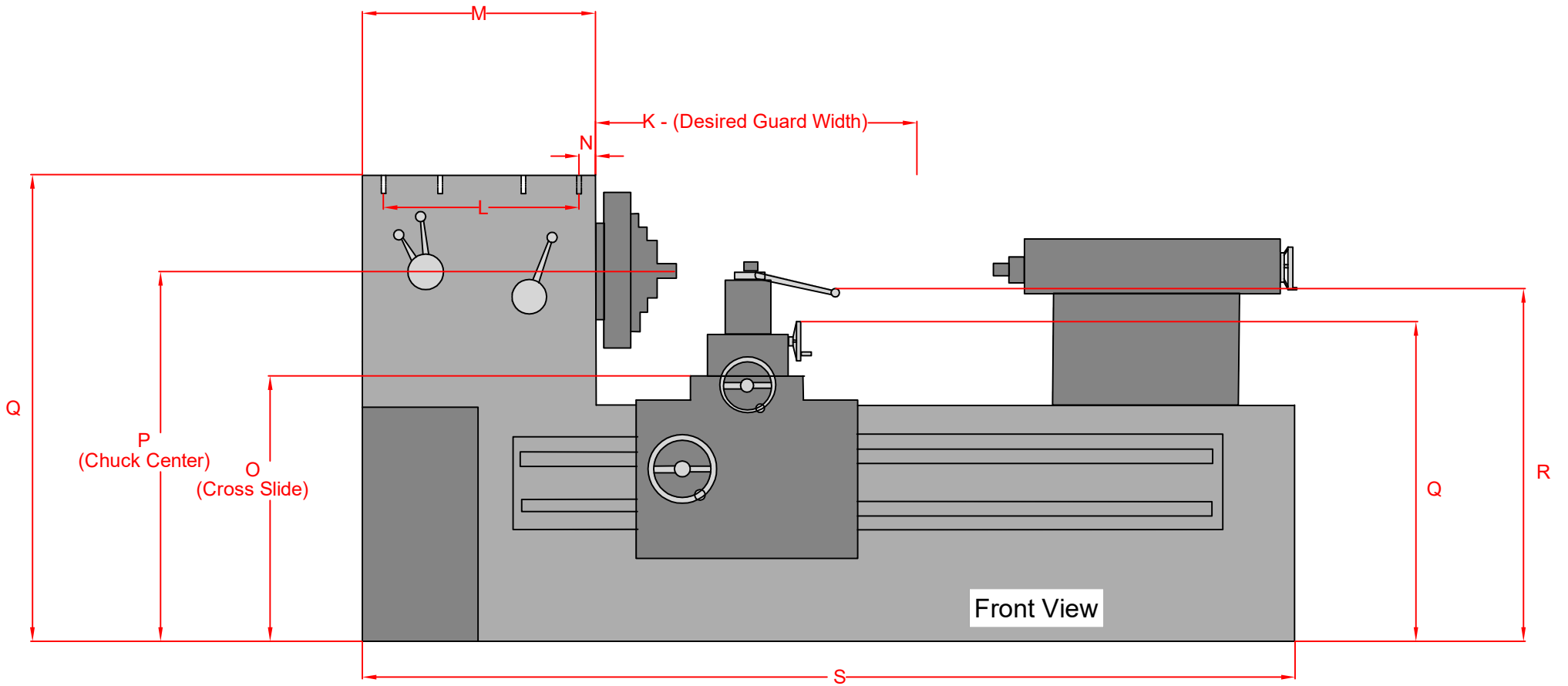
---

- A -
- B -
- C -
- D -
- E -
- F -
- G -
- H -
- I -
- T -
- U -



For machine-mount guards, remove one of the gearbox lid bolts and measure the bolt size, thread pitch and overall length, including the head. If there is a raised lip near the bolt, account for the height of it.

**See Page 2 for more  
Measurements!**



- K -
- L -
- M -
- N -
- O -
- P -
- Q -
- R -
- S -

If there is a raised platform, use the same reference point for all measurements from the ground.