

**Please fill out all required measurements.
Photos from a few angles aid in the design.**

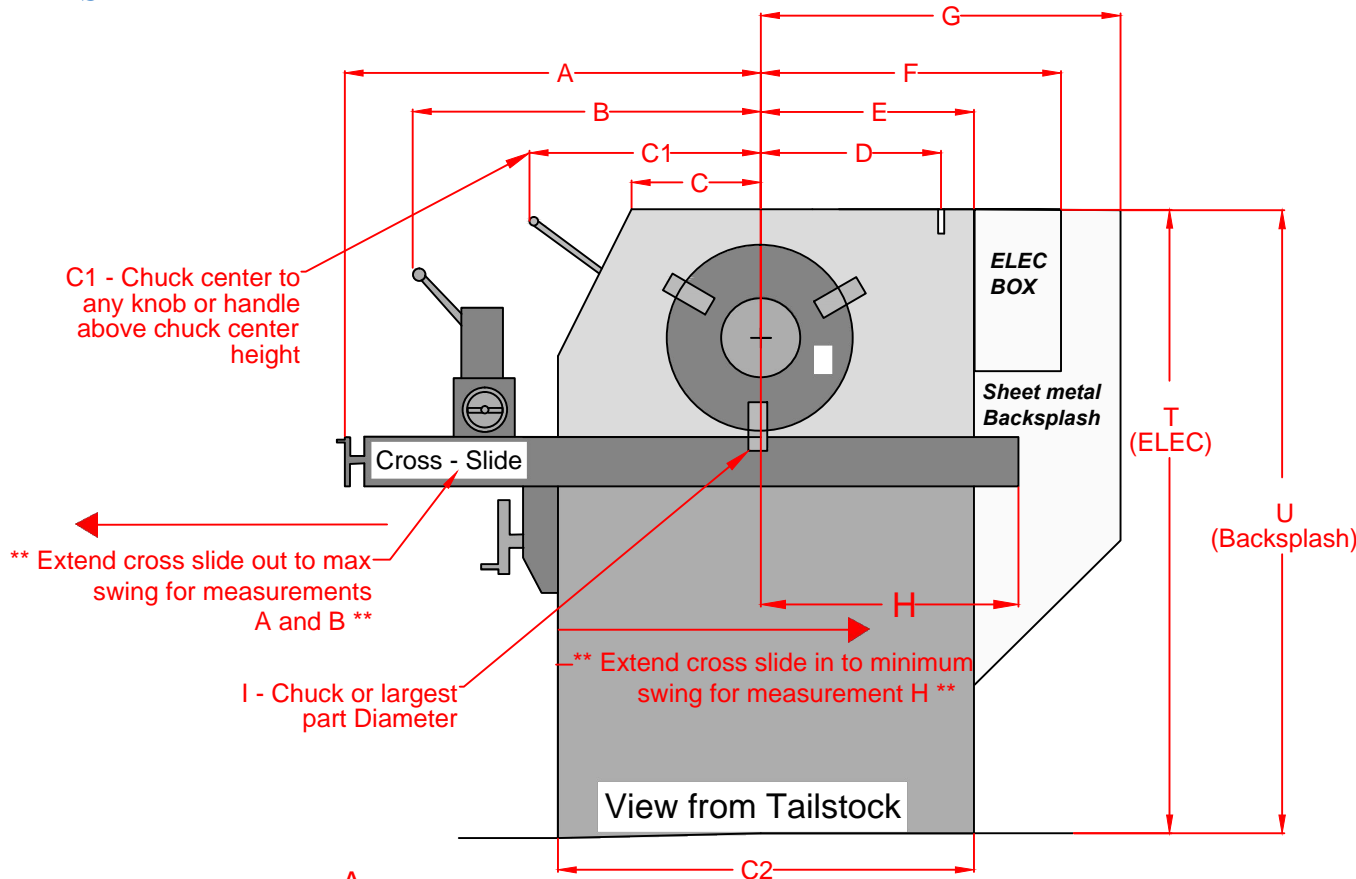
Customer Name

Machine Make/Model

Style of Guard to Quote

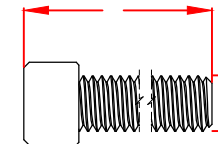
Interlock Required?

**Is the Machine Loaded
Overhead?**



- A -
- B -
- C -
- C1 -
- C2 -
- D -
- E -
- F -
- G -
- H -
- I -
- T -
- U -

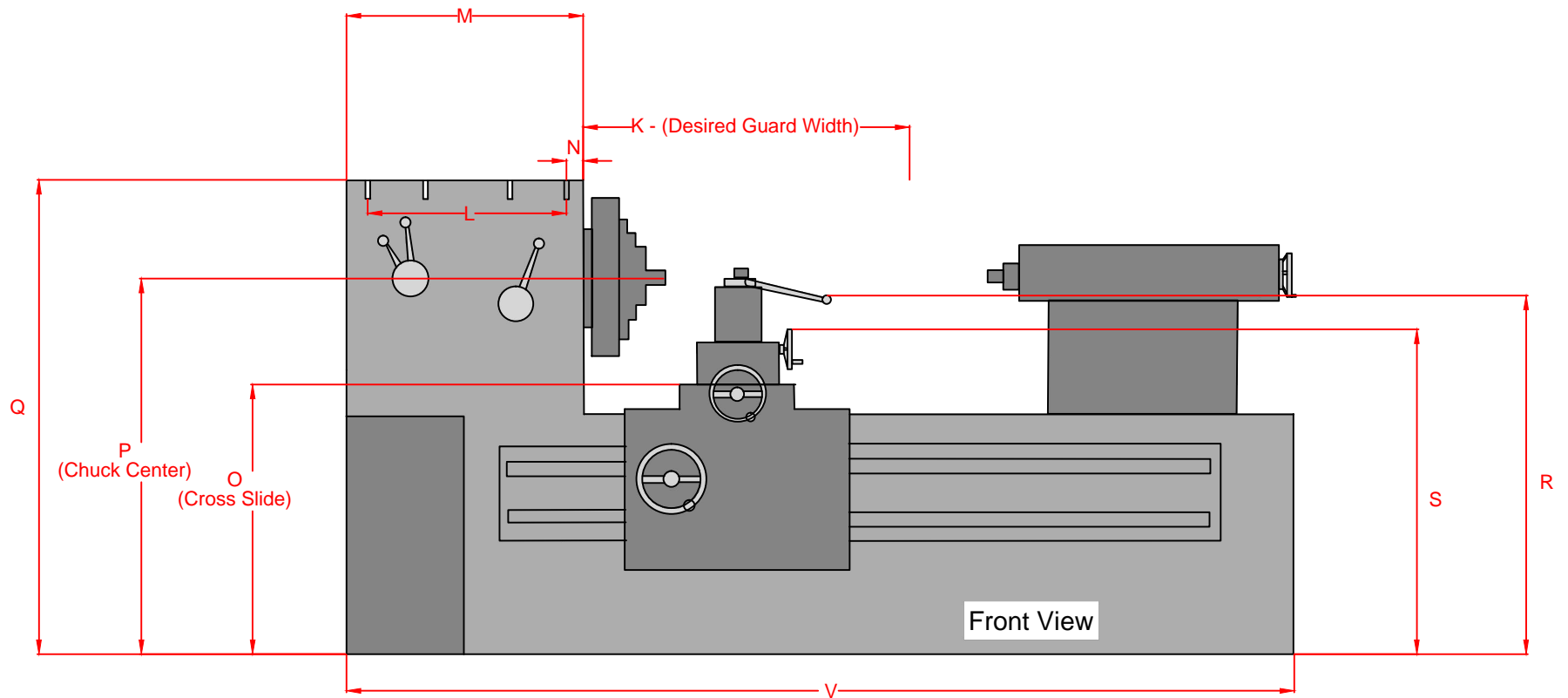
**See Page 2 for more
Measurements!**



Overall Length

Bolt Diameter / Pitch

For machine-mount guards, remove one of the gearbox lid bolts and measure the bolt size, thread pitch and overall length, including the head. If there is a raised lip near the bolt, account for the height of it.



- K -
- L -
- M -
- N -
- O -
- P -
- Q -
- R -
- S -
- V -

If there is a raised platform, use the same reference point for all measurements from the ground.