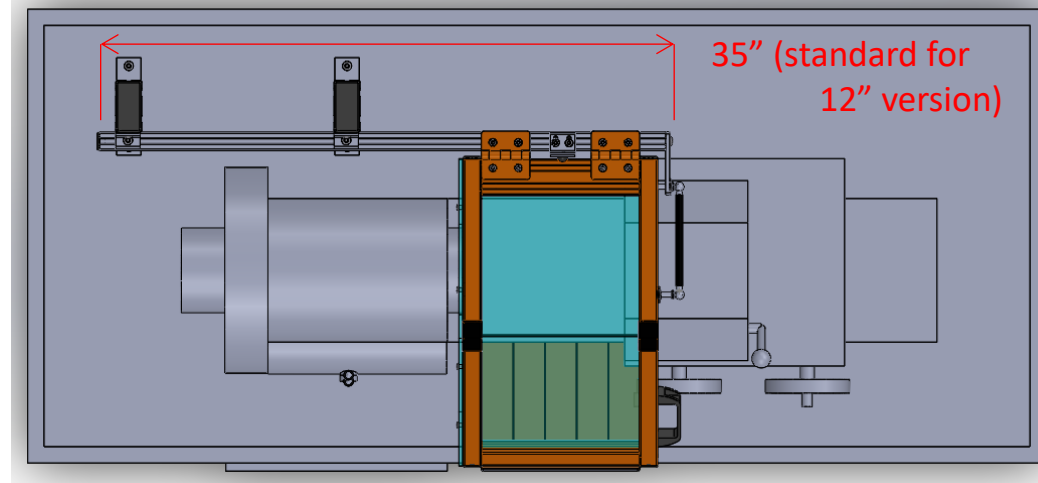


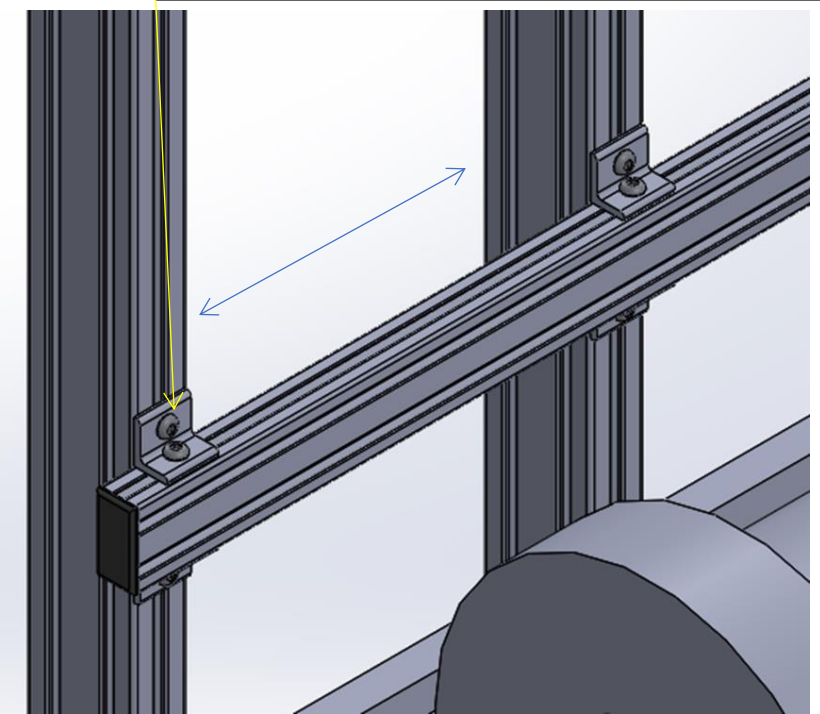
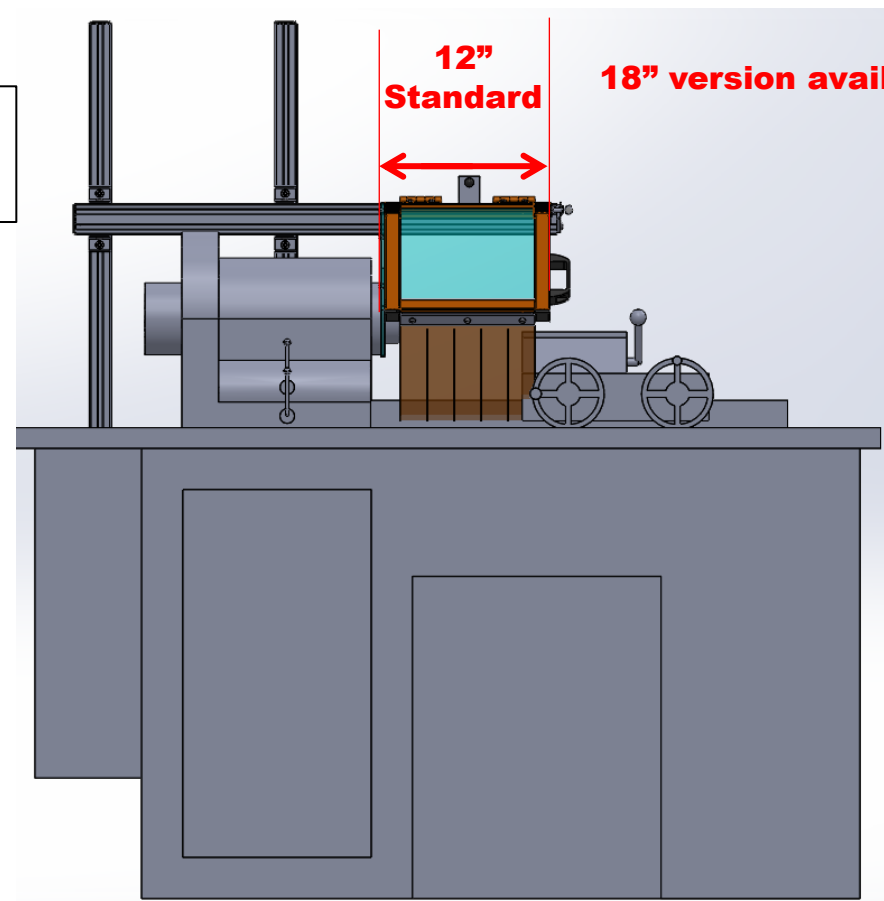
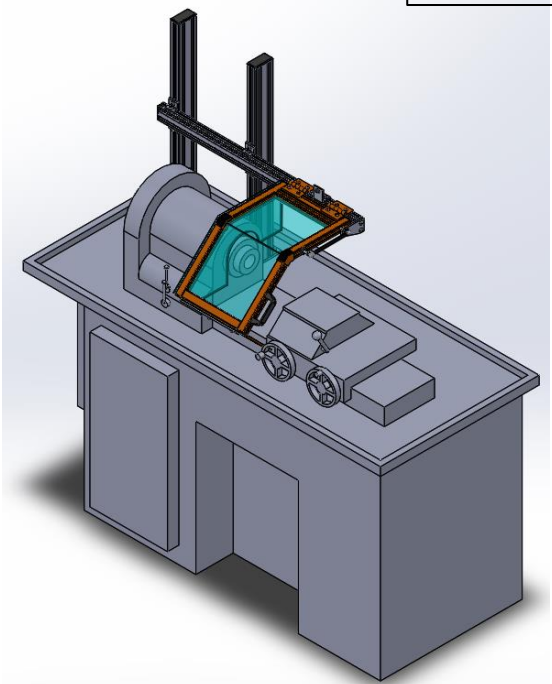
Side lexan standard

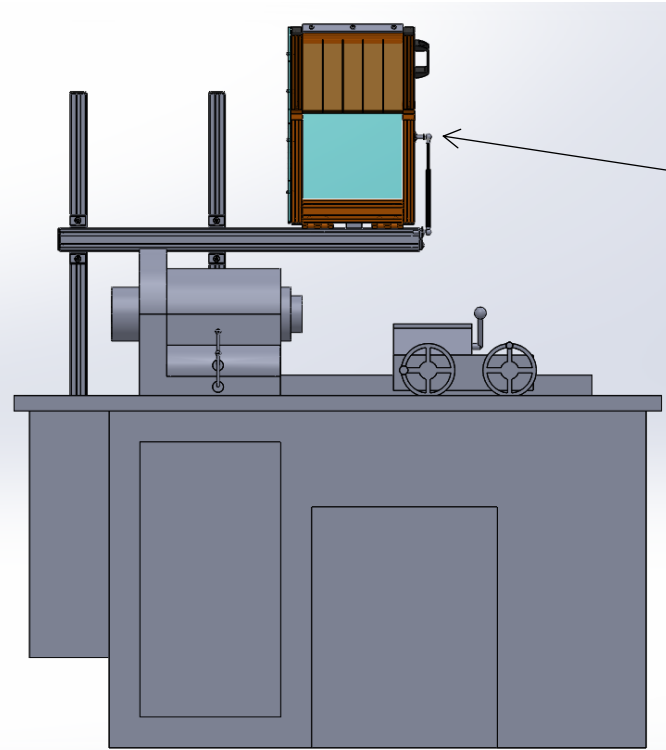
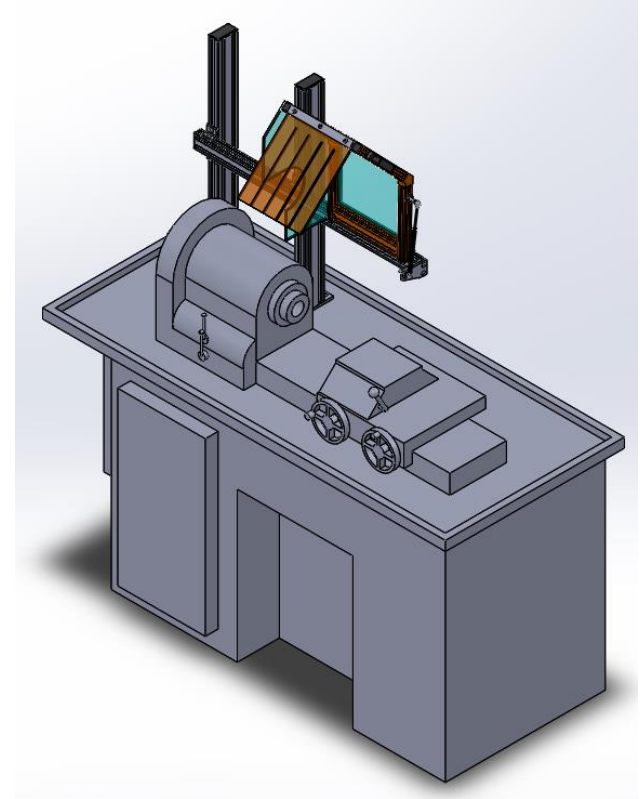
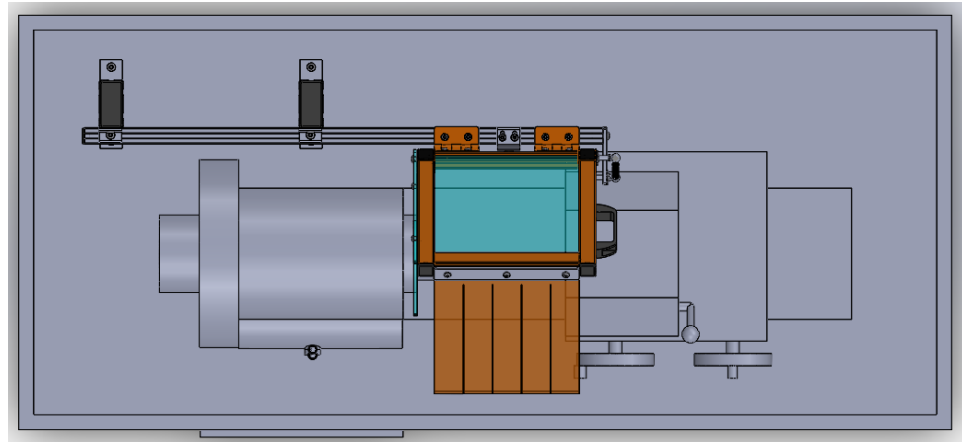
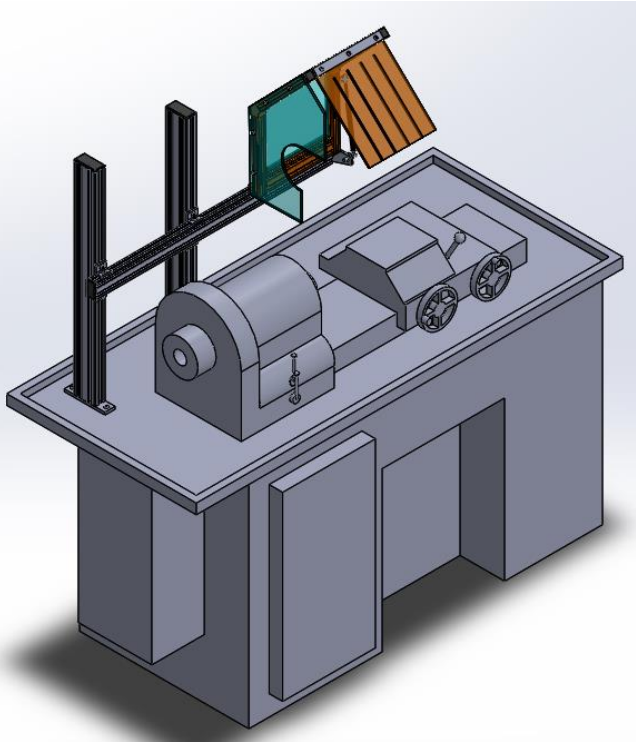


Hardinge/ Toolroom Lathe Guard Hinged, 12" Wide P/N LG-TR2



The mounting brackets allow you to position the two vertical posts wherever possible on the coolant tray of Hardinge type lathes





Gas strut keeps guard in the open position for setup

Will fit most collet type tool room lathes such as Hardinge HLV/HLV-H, HC chucker, DSM-59, DV-59, TL, TFB-H, and import copies such as Cyclematic & Sharp. Other applications are possible.



Reversible – mounted on the right