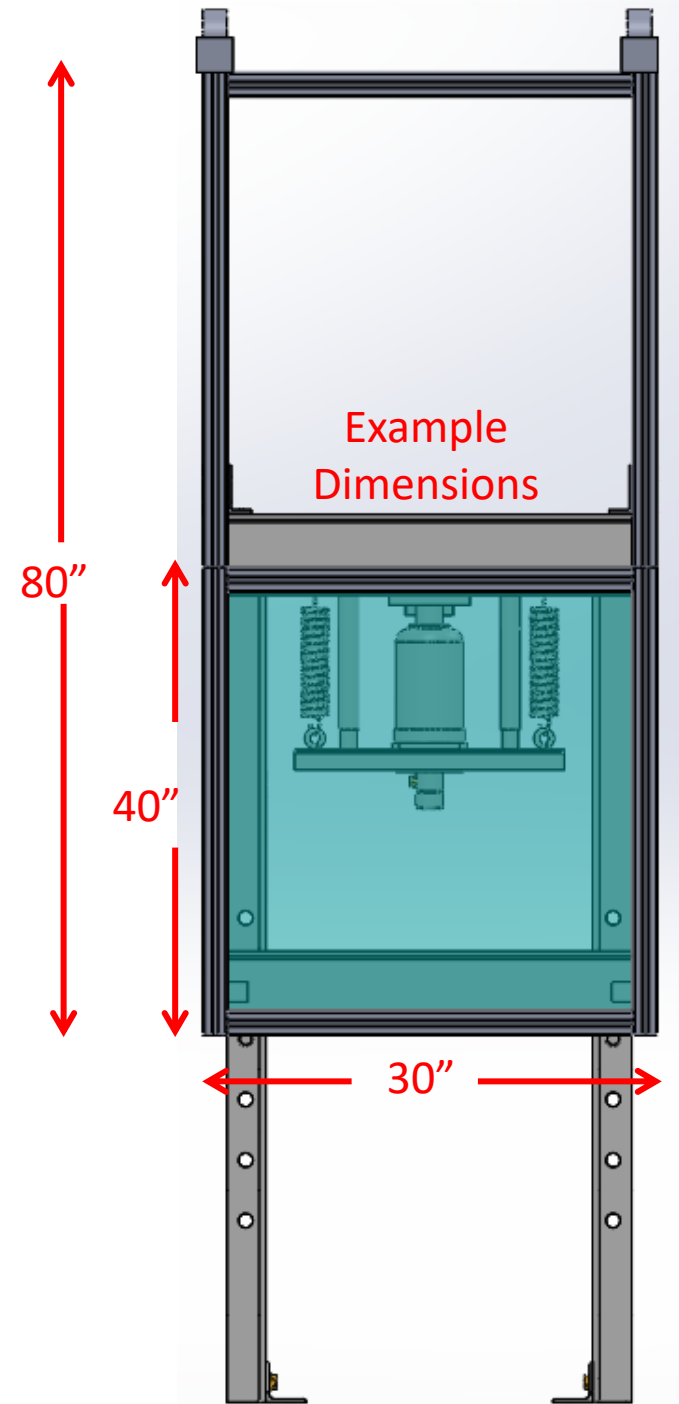
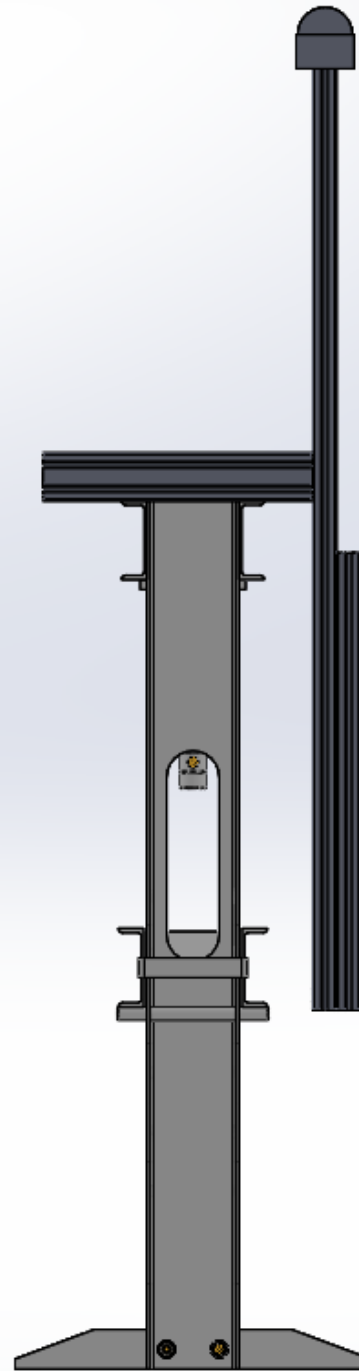
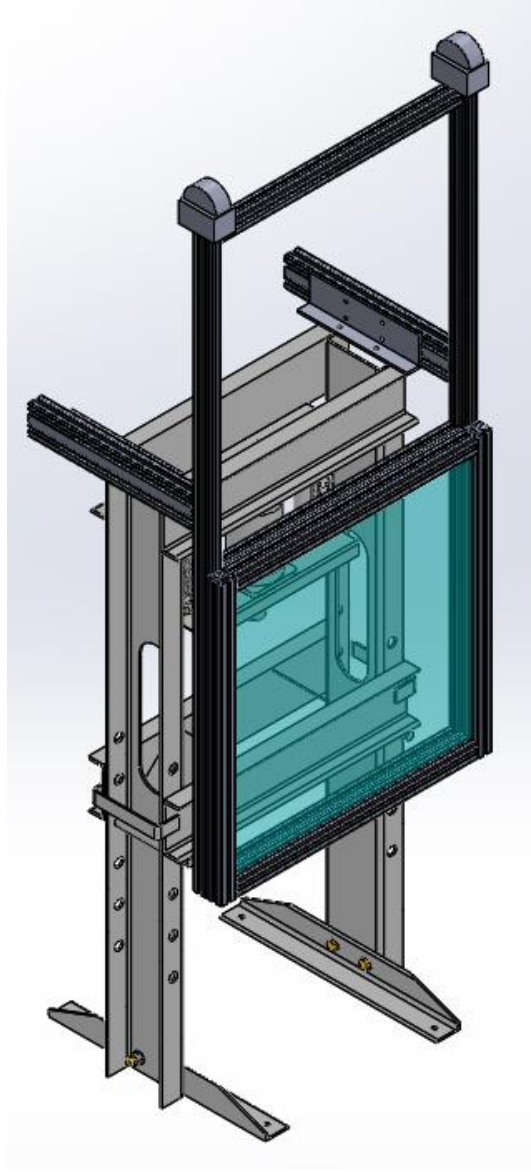
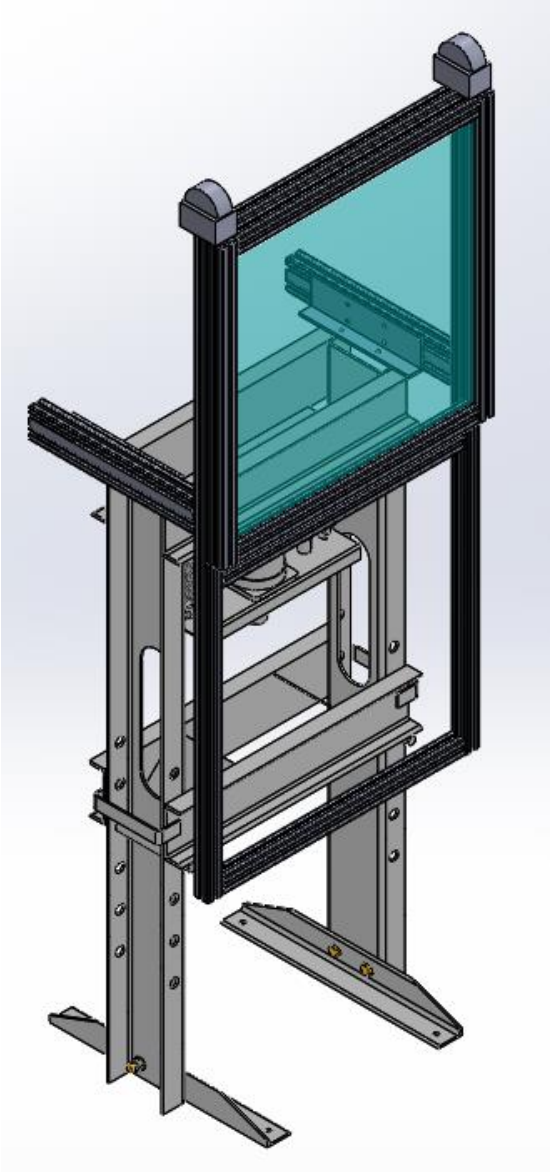
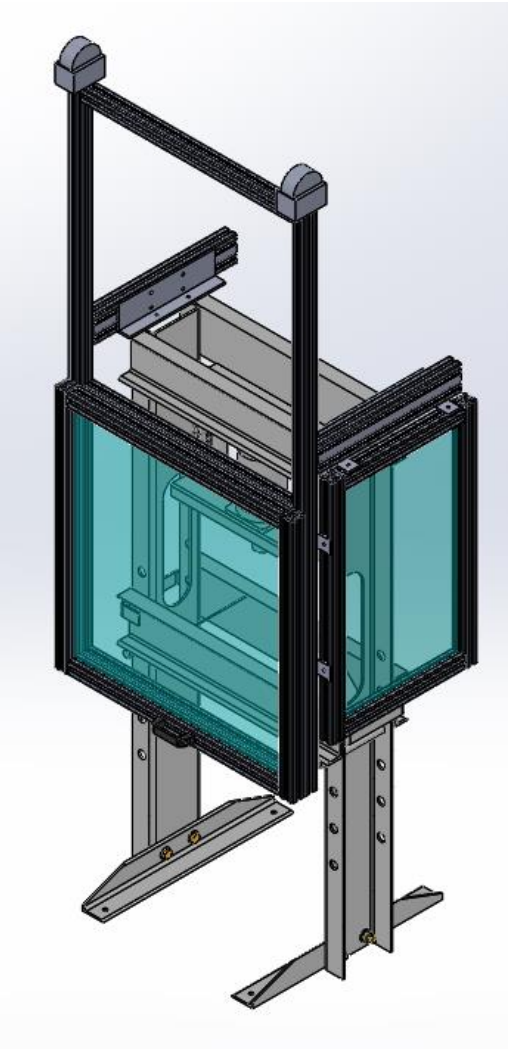


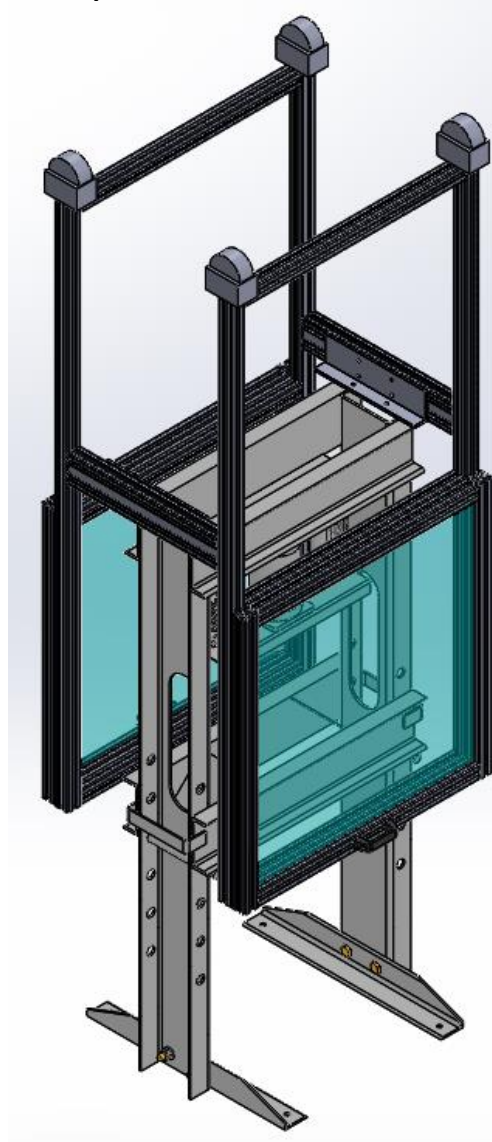
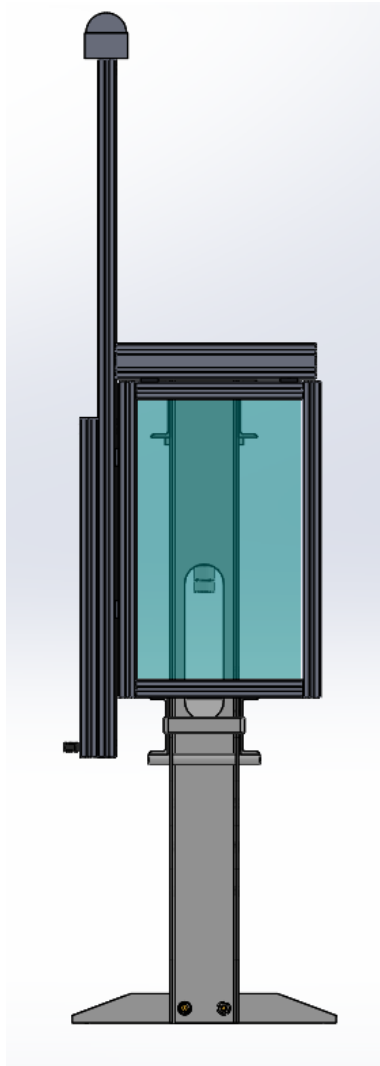
Hydraulic Press Guarding – Custom
¼" polycarbonate with aluminum extrusion frame.
Pair of self-contained cable counterbalances keep door up.



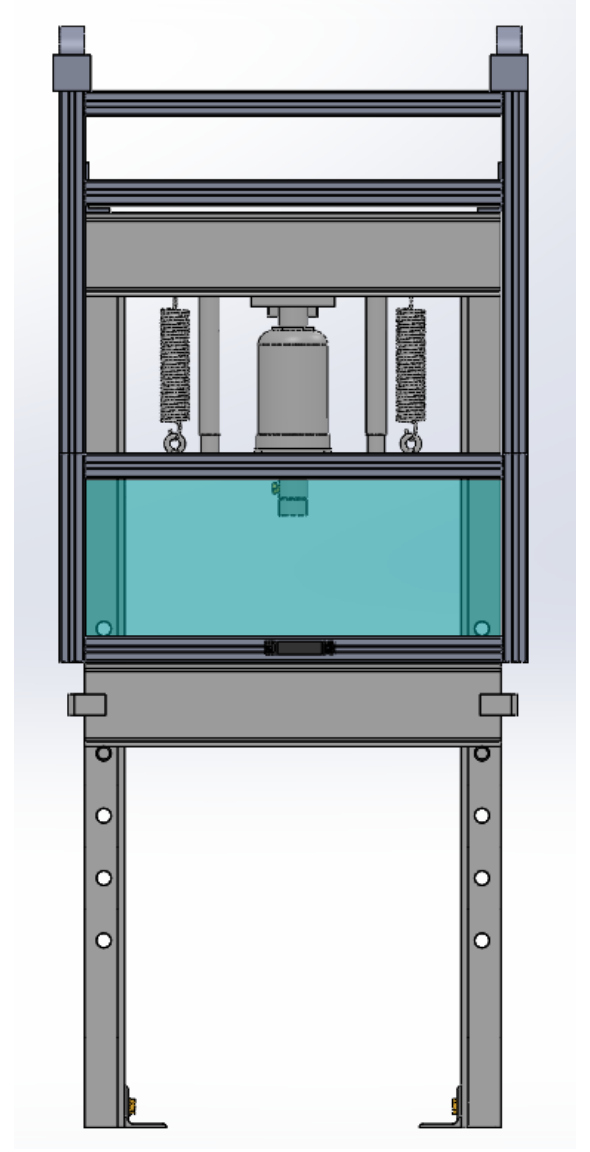
Easy installation by drilling 4 holes in the top of H-frame.
Floor mount option available.



Optional side panels



Double version to protect rear



Shorter door for manual machine