

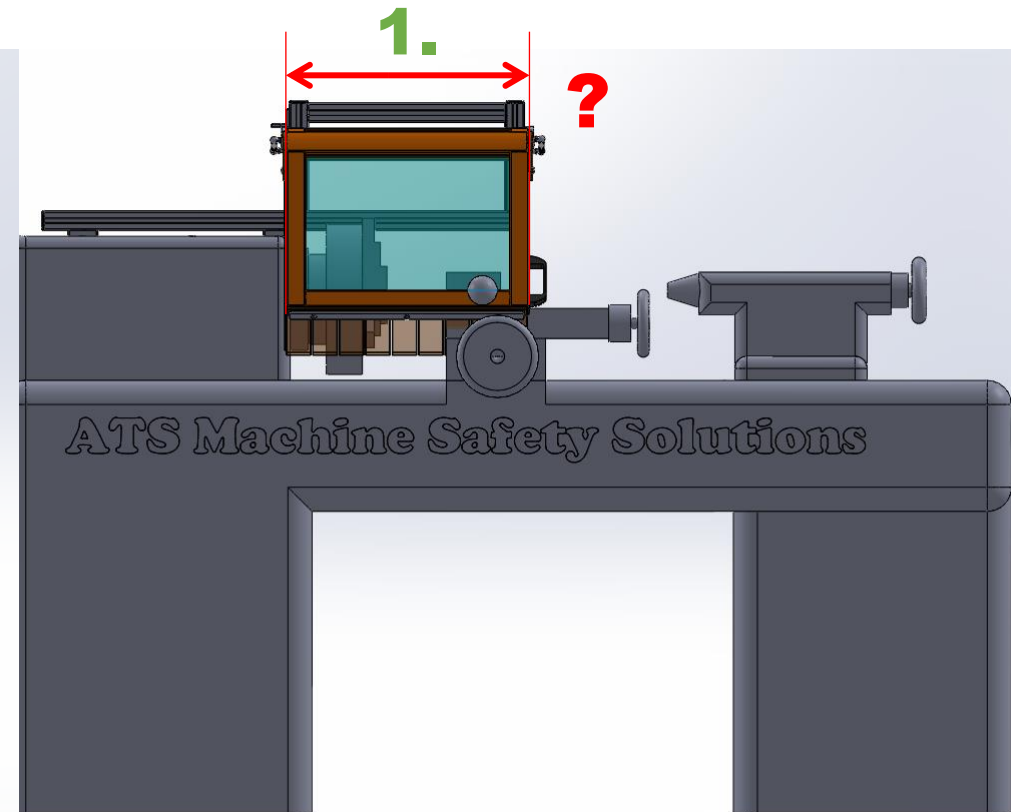
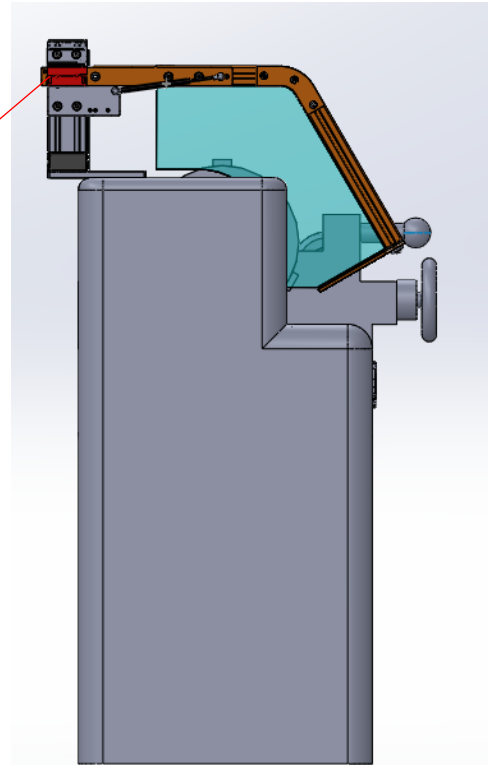
Hinged Lathe Guard, Machine Mount

Part # LGH-1

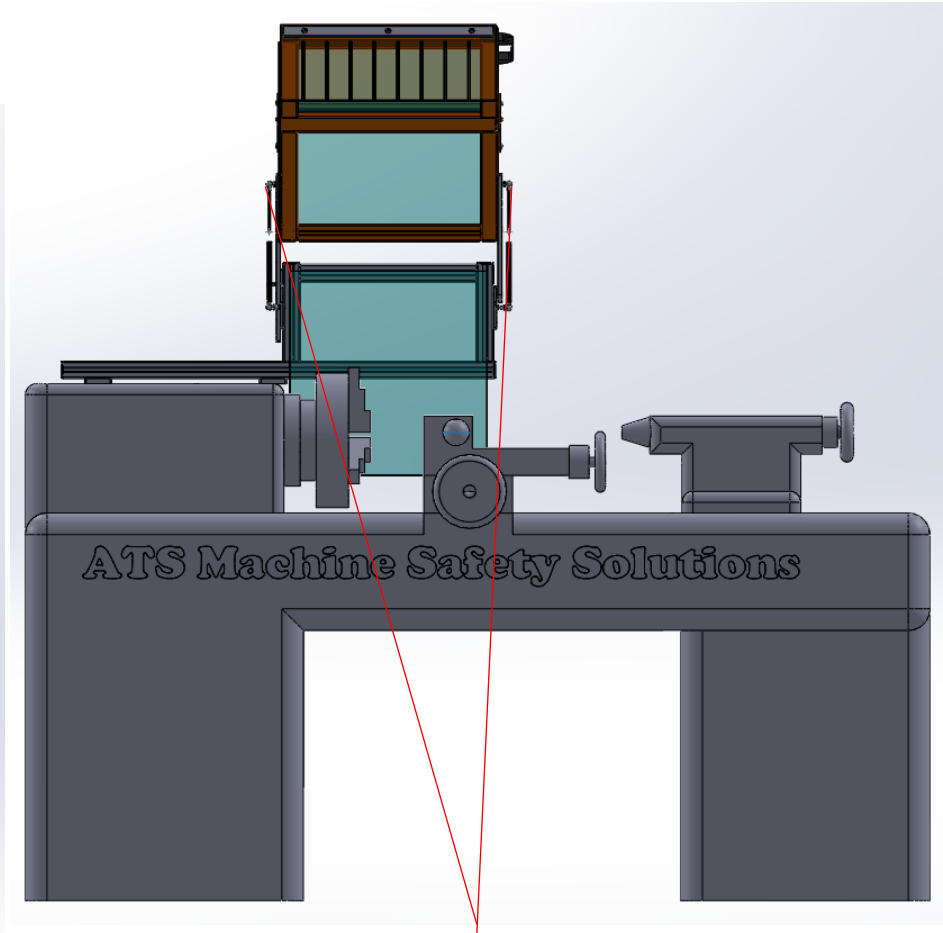
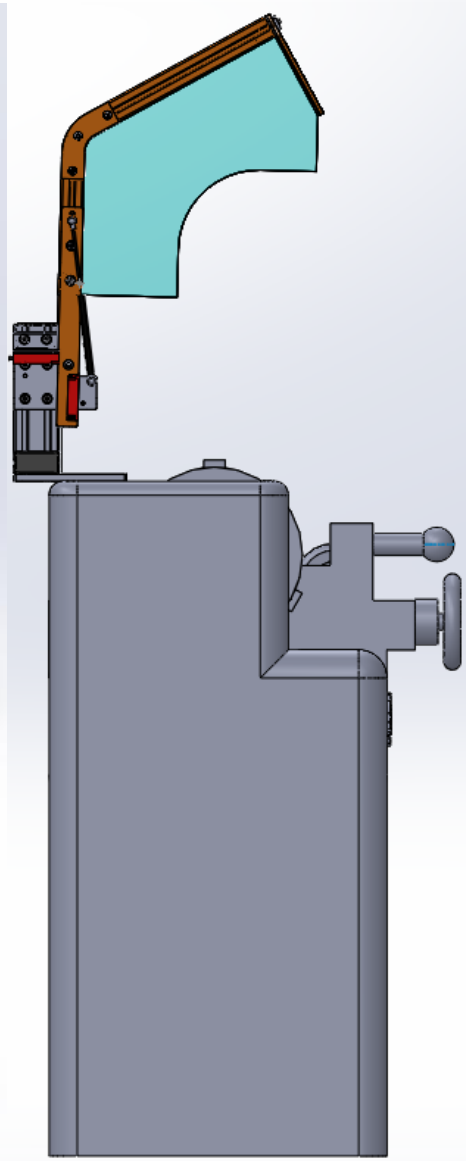
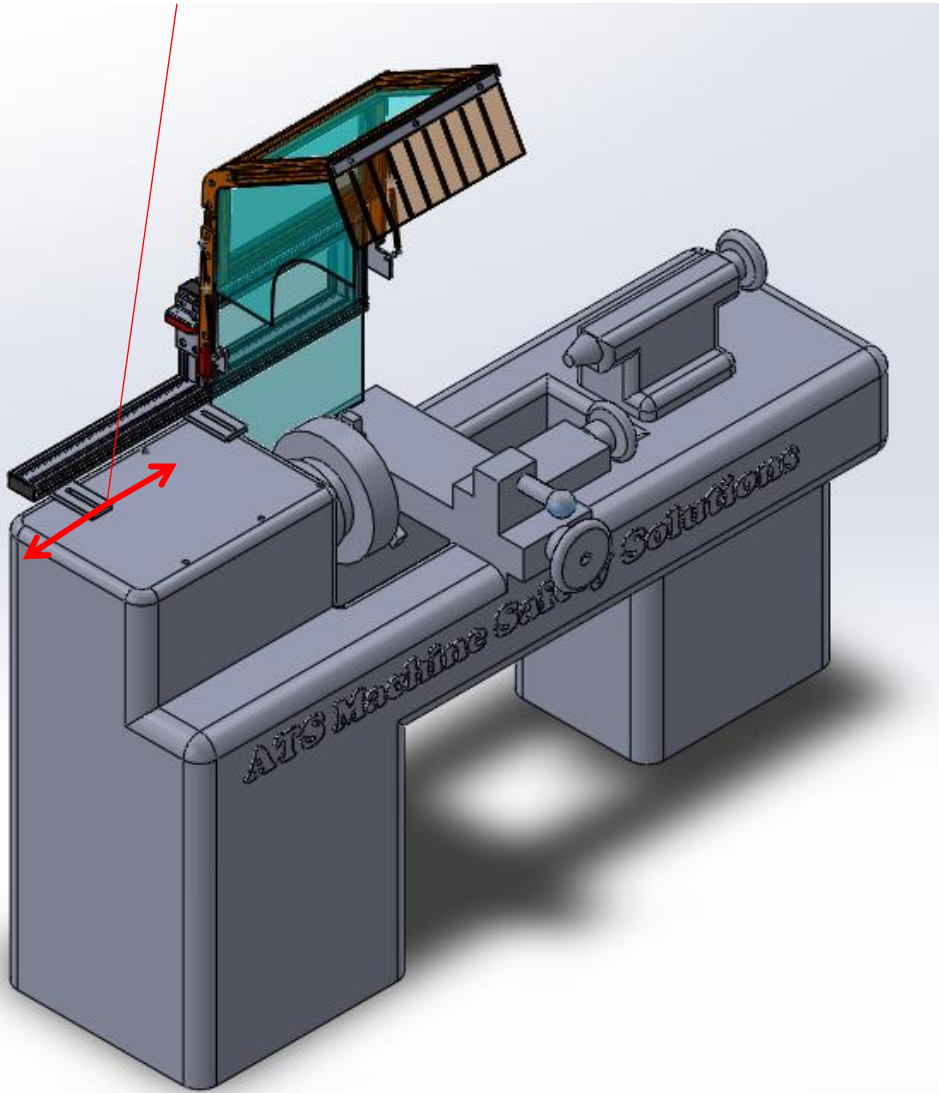
Information required for quote:

1. “Guard Width” 30” is max for hinged guards.
2. Safety switch option?
3. Rear lexan panel option? (see pg. 3)
4. Measurement form, or dimensions A, I, and D (see website for form)

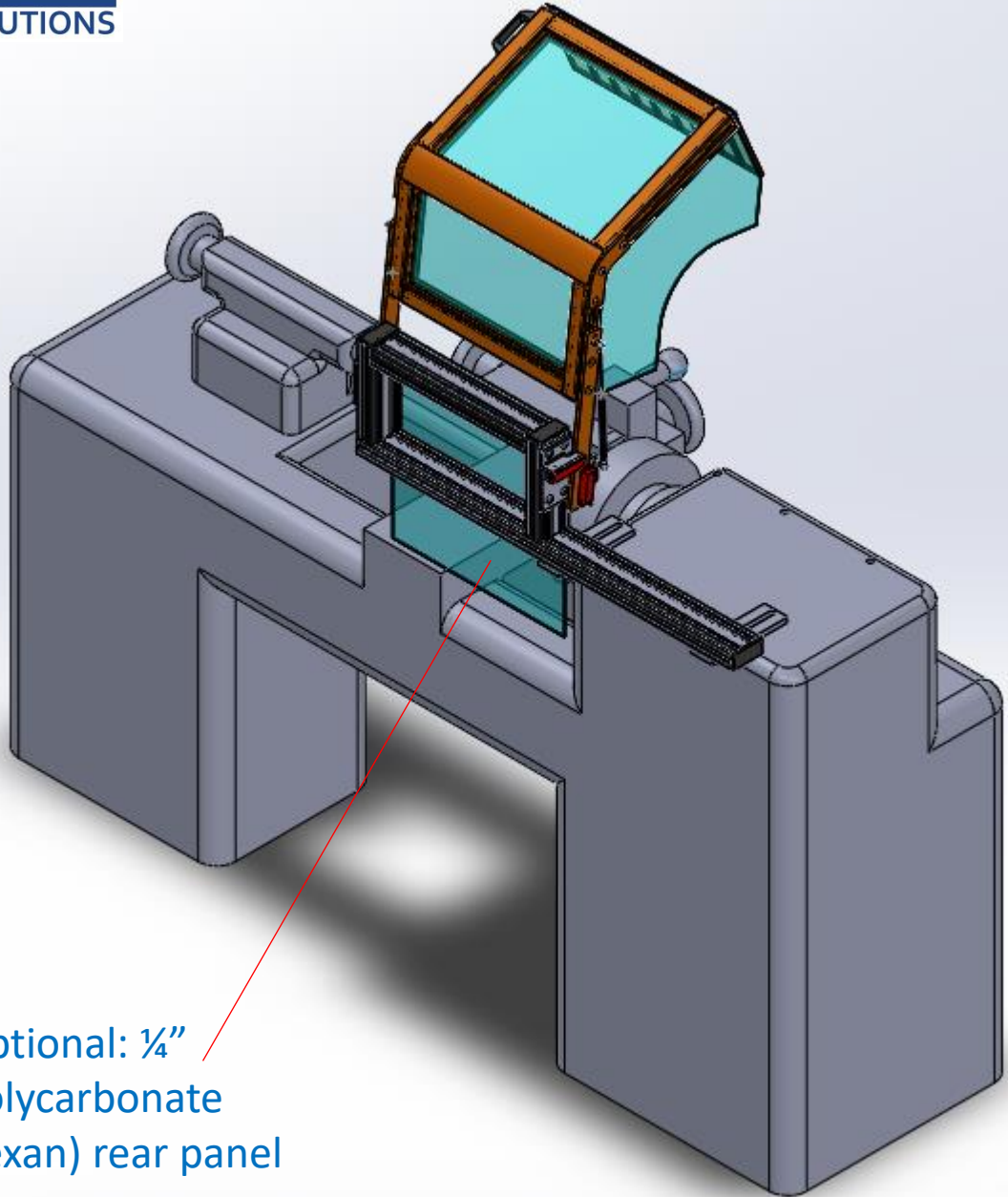
2. Optional: safety switch/ interlock.



No drilling into machine to install!
Mounts to the existing gearbox lid holes by using longer bolts.
Brackets can be moved to coincide with the existing bolts.

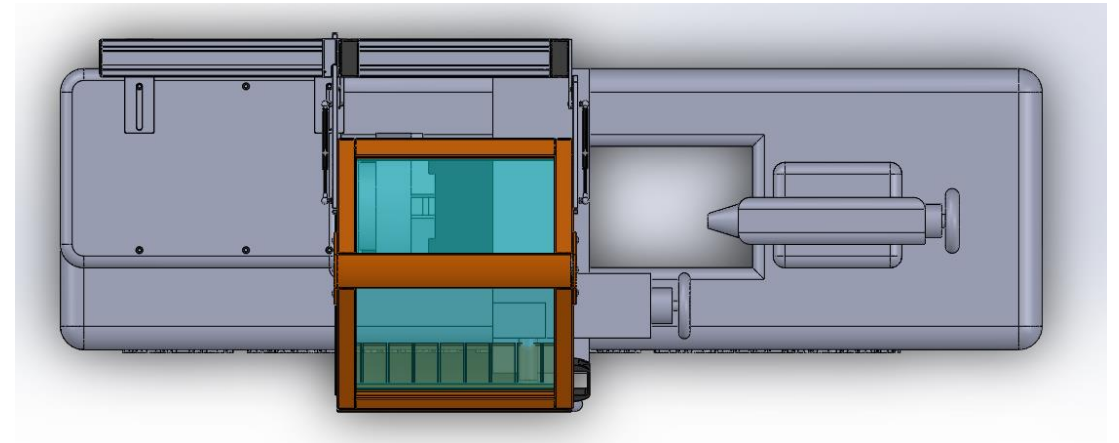
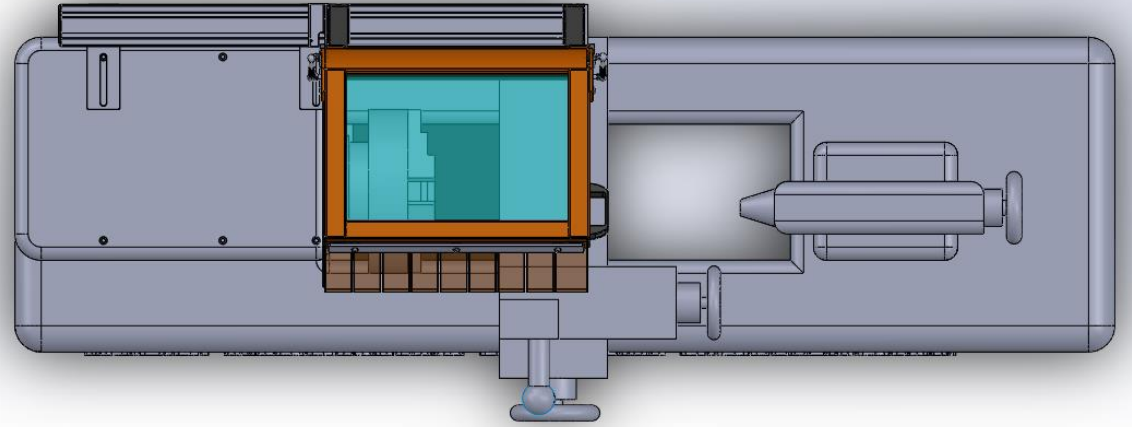


Dual gas springs /
struts hold the guard
in the open position
for set-up

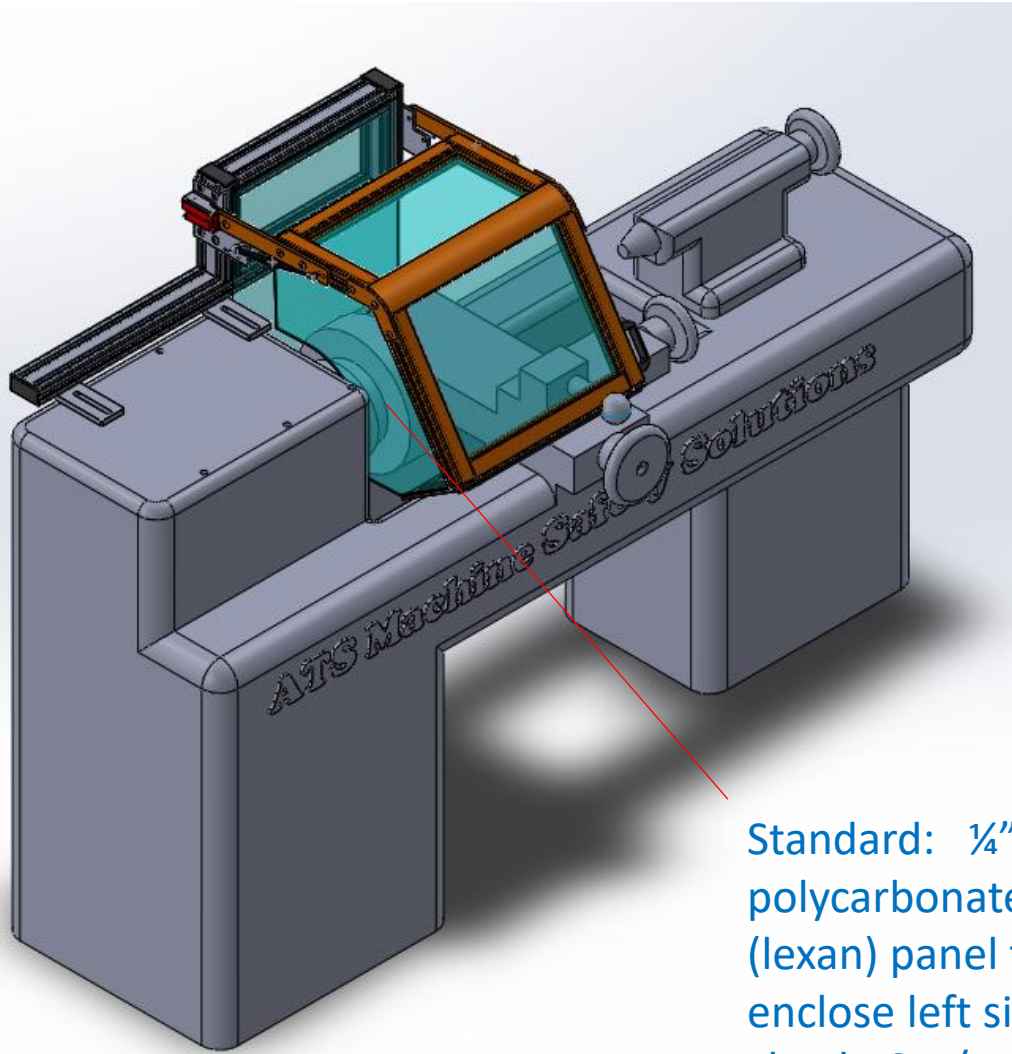


3.

Optional: 1/4"
polycarbonate
(lexan) rear panel



Standard: 8" PVC orange strip curtain provides chip containment while allowing use of handles.



Standard: ¼" polycarbonate (lexan) panel to enclose left side at chuck. Cut/ trim to fit.

