

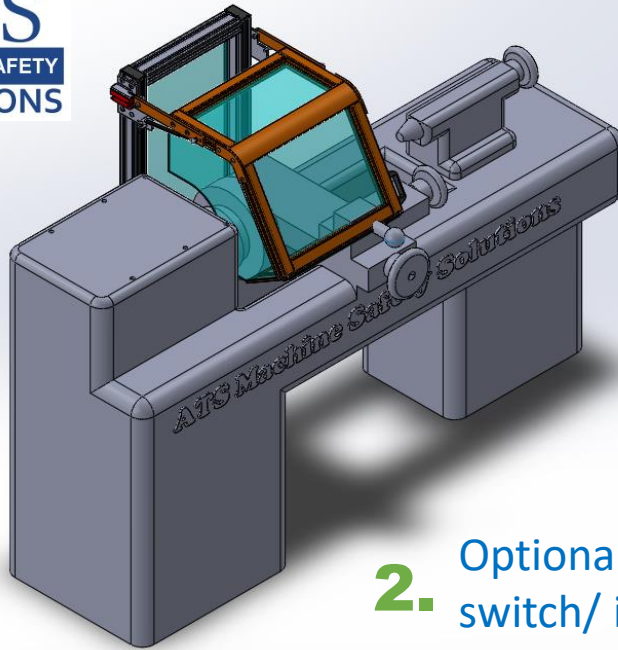
Hinged Lathe Guard, Floor Mount

Part # LGH

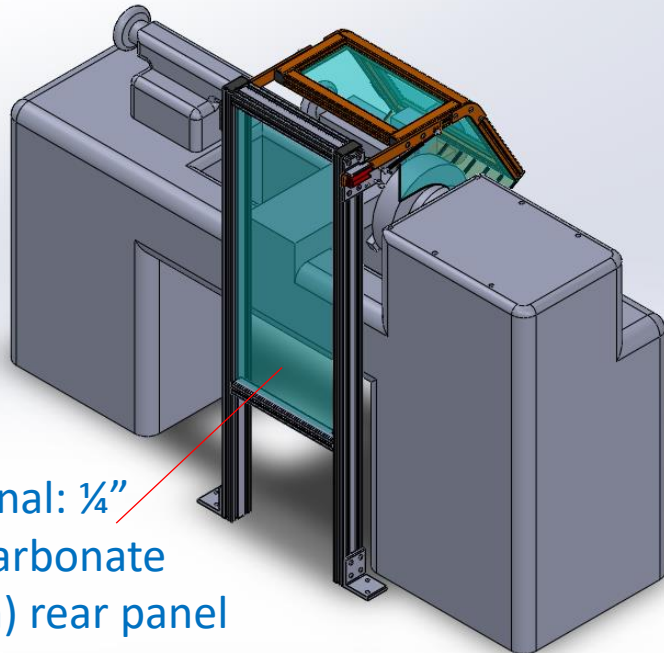
Standard: ¼" polycarbonate (lexan) panel to enclose left side at chuck. Cut/ trim to fit.

Information required for quote:

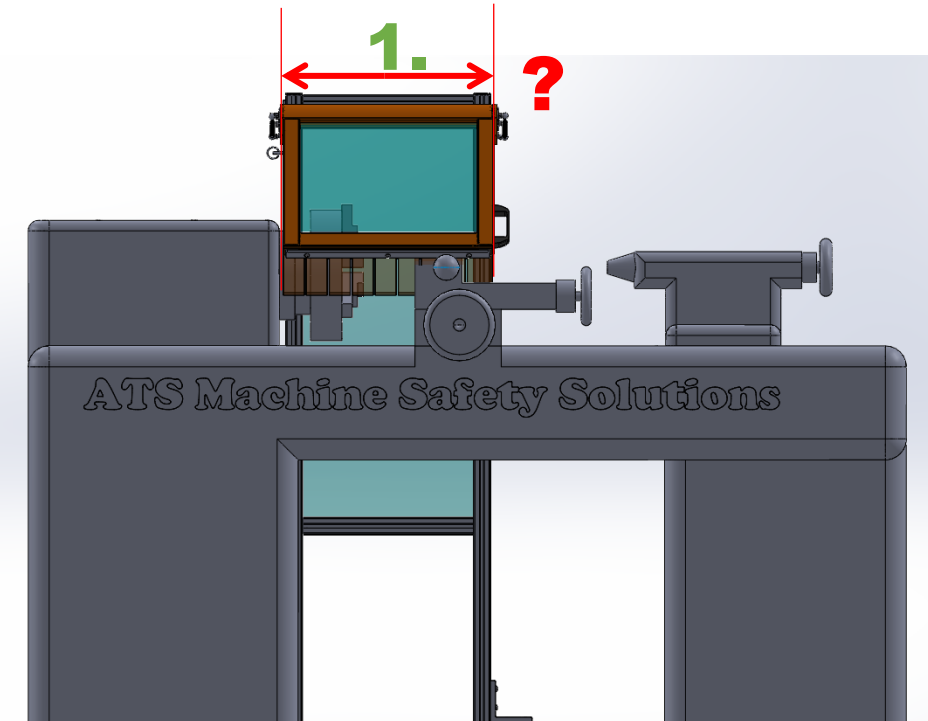
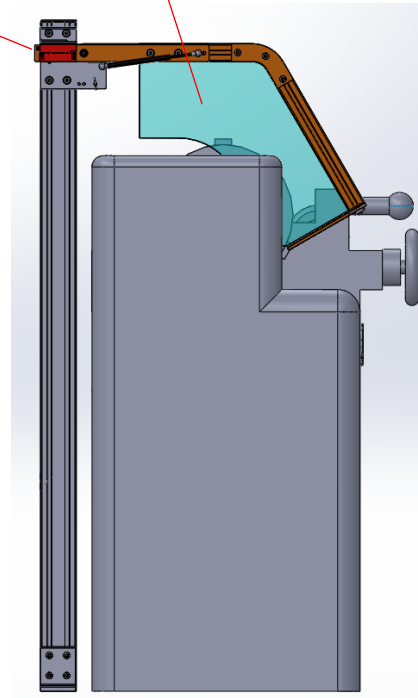
1. "Guard Width" 30" is max for hinged guards.
2. Safety switch option?
3. Rear lexan panel option?
4. Measurement form, or dimensions A, I, and T (see website for form)

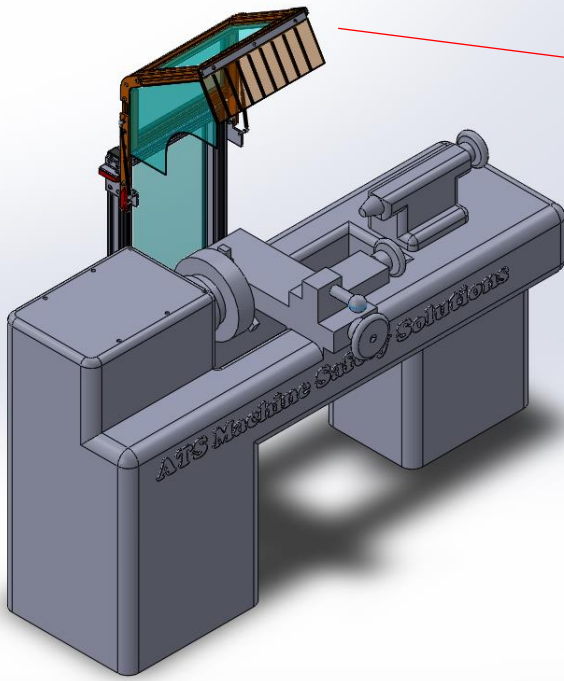


2. Optional: safety switch/ interlock.



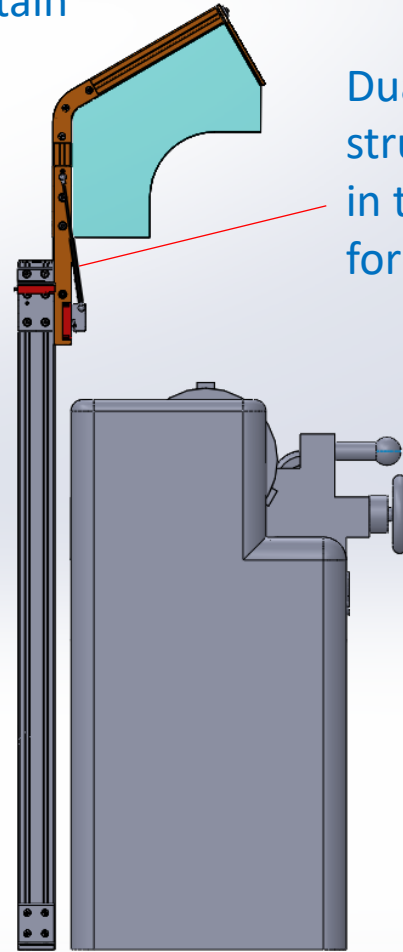
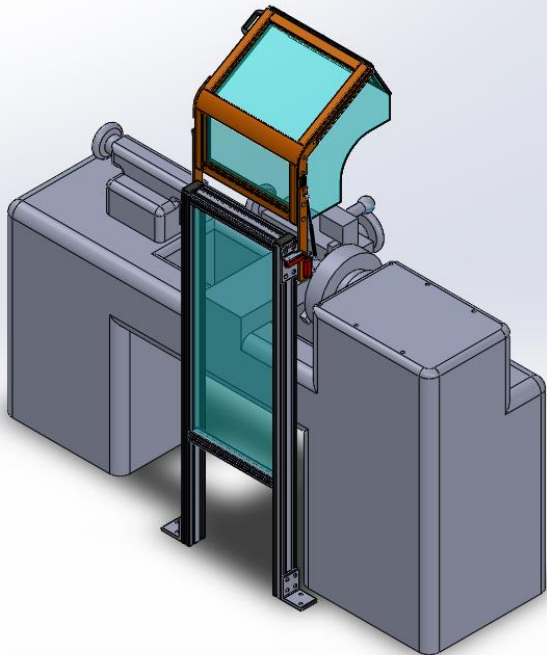
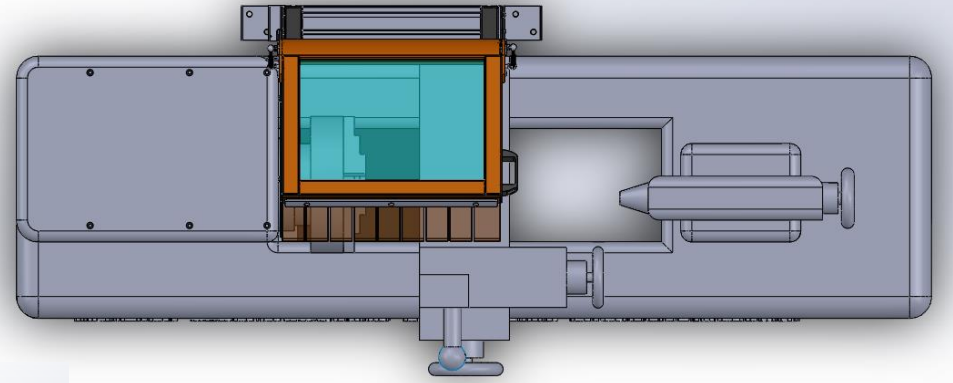
3. Optional: ¼" polycarbonate (lexan) rear panel





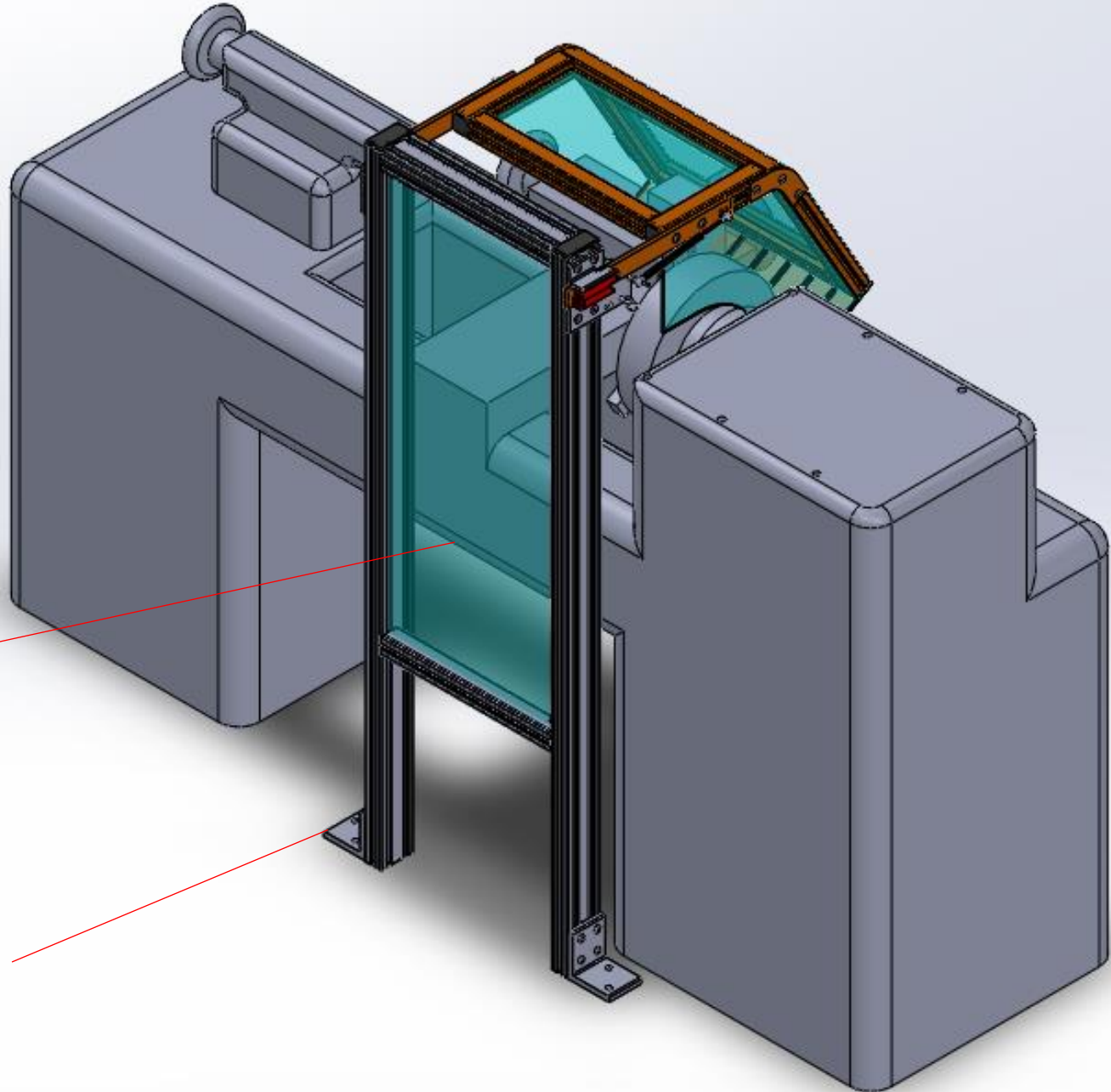
Standard: 8" PVC orange strip curtain provides chip containment while allowing use of handles.

Optional: ¼" lexan bolted here in place of strip curtain



Dual gas springs / struts hold the guard in the open position for set-up





Optional ¼"
polycarbonate
(lexan) rear panel

Secures to the floor
behind the machine.
3/8" concrete anchors
included.

