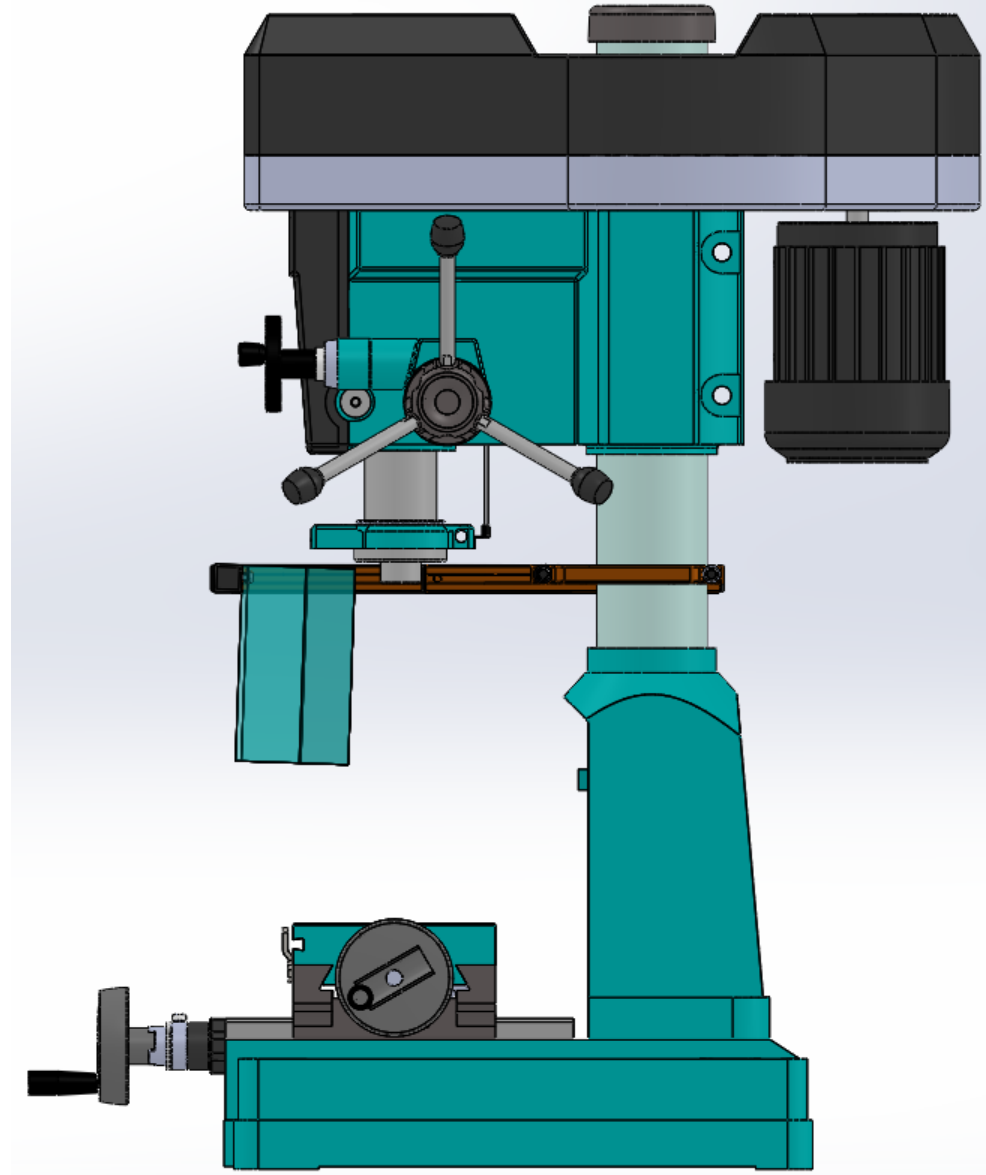
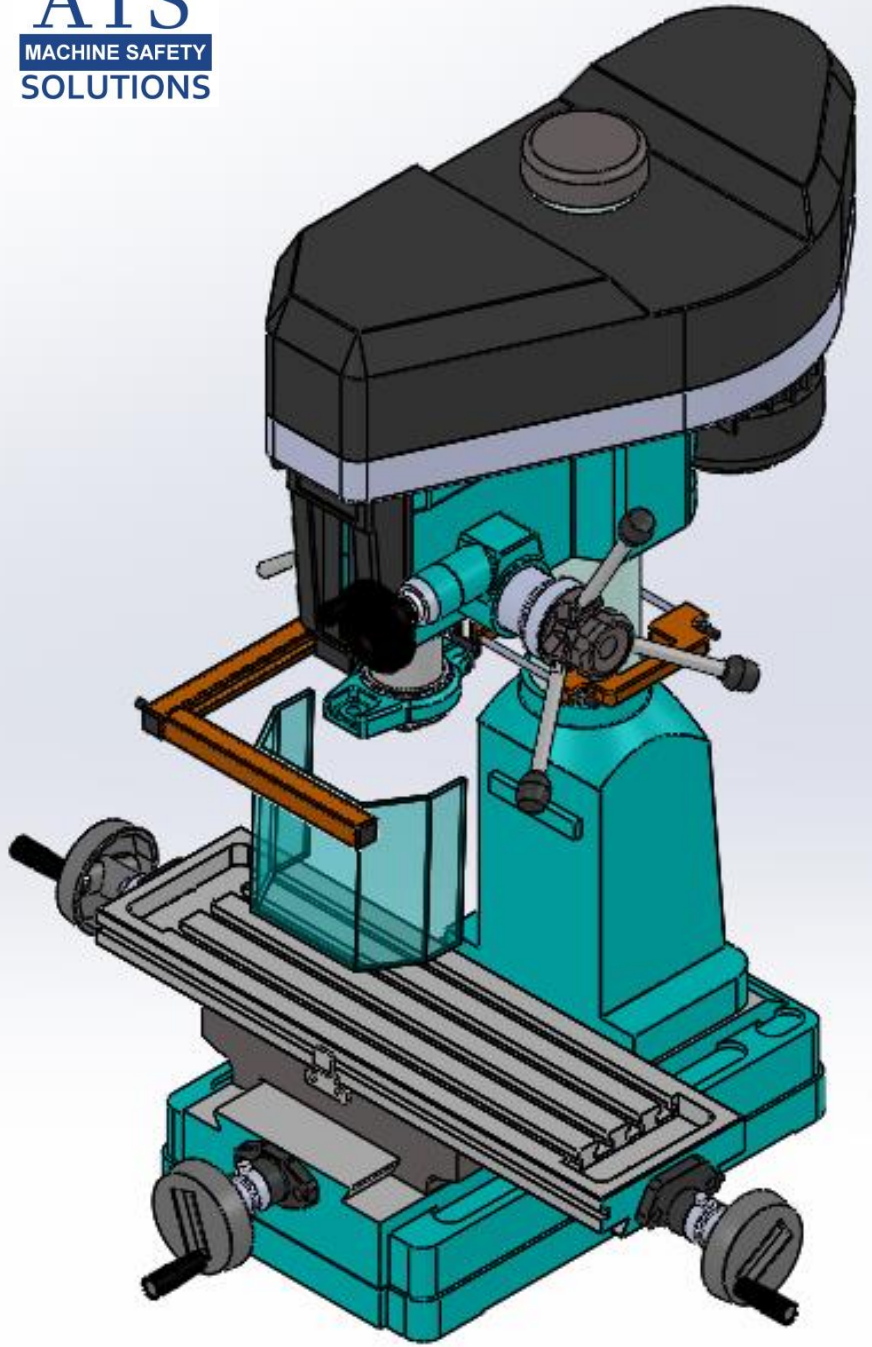
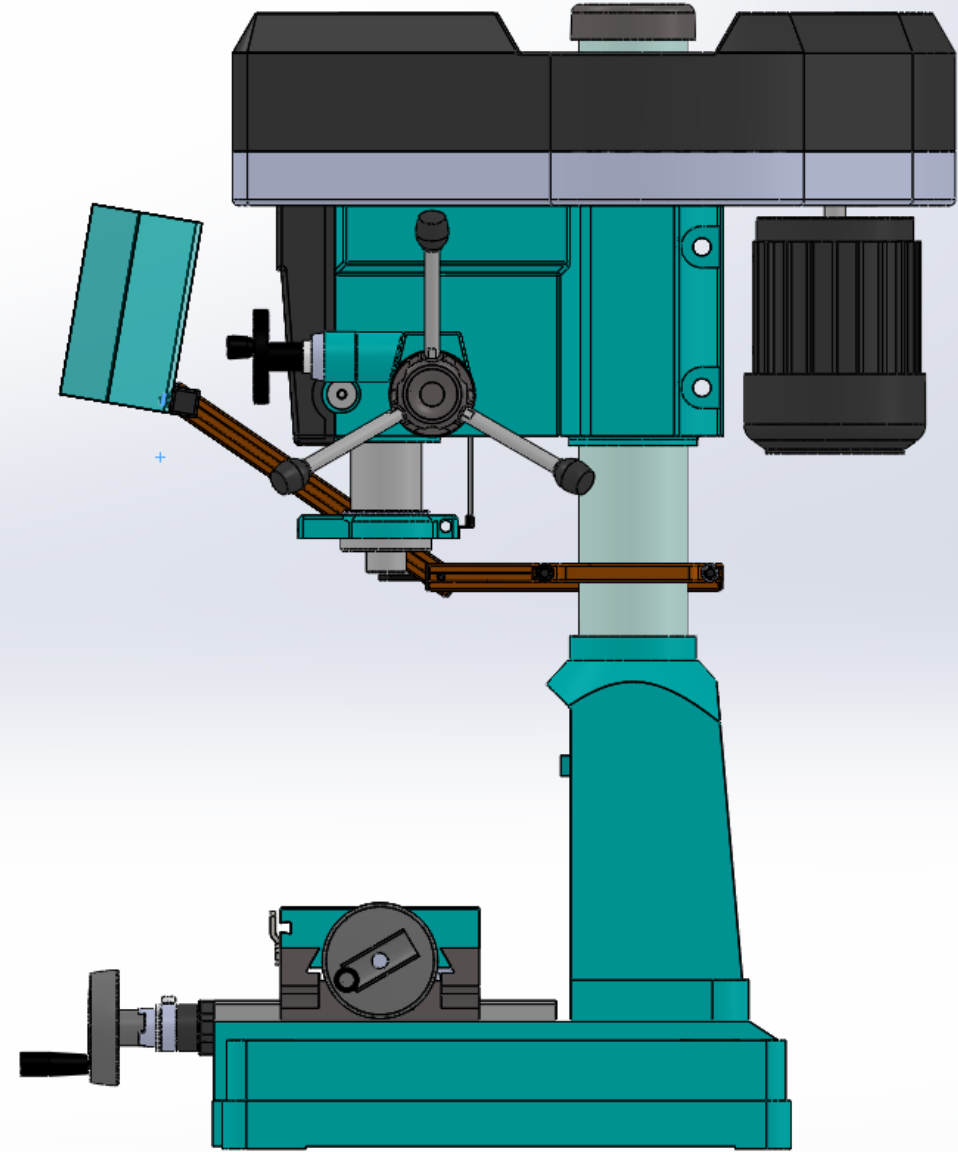
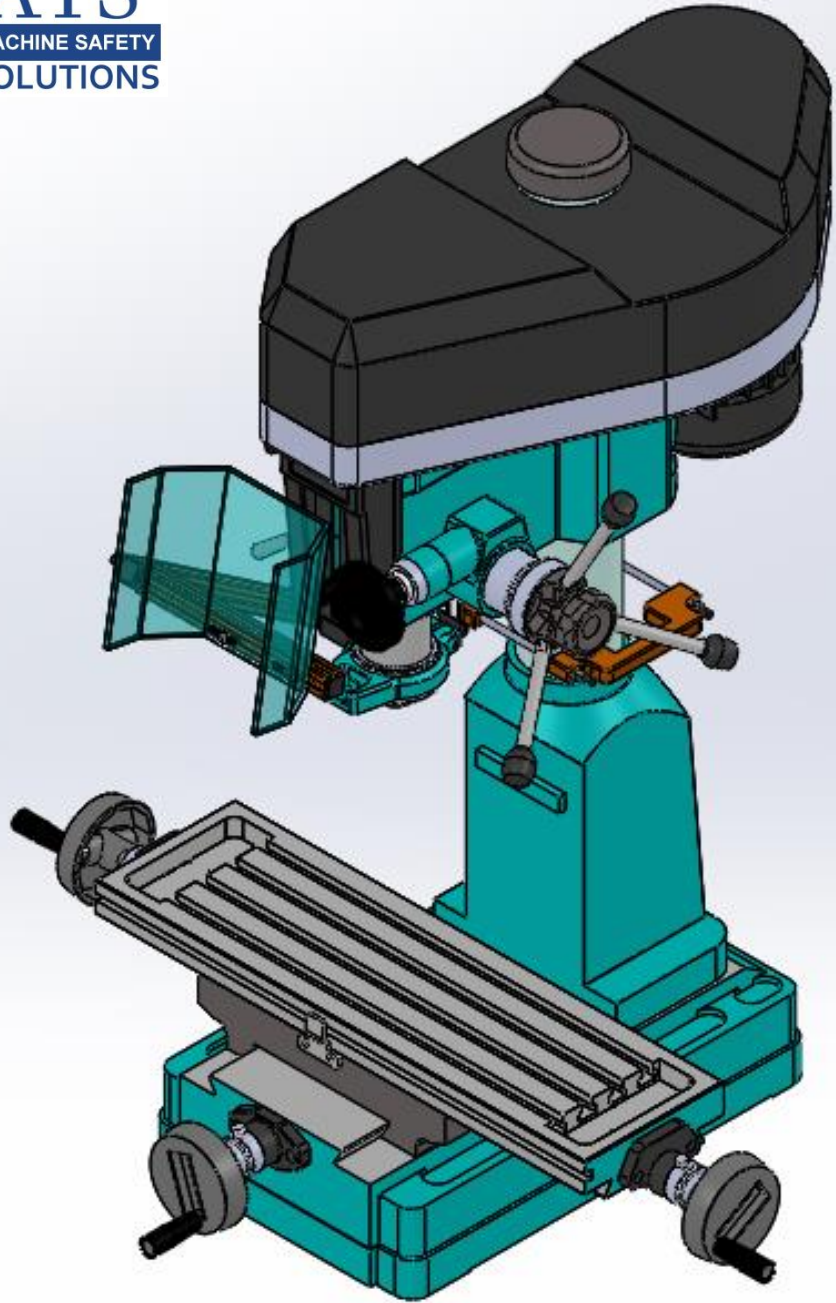
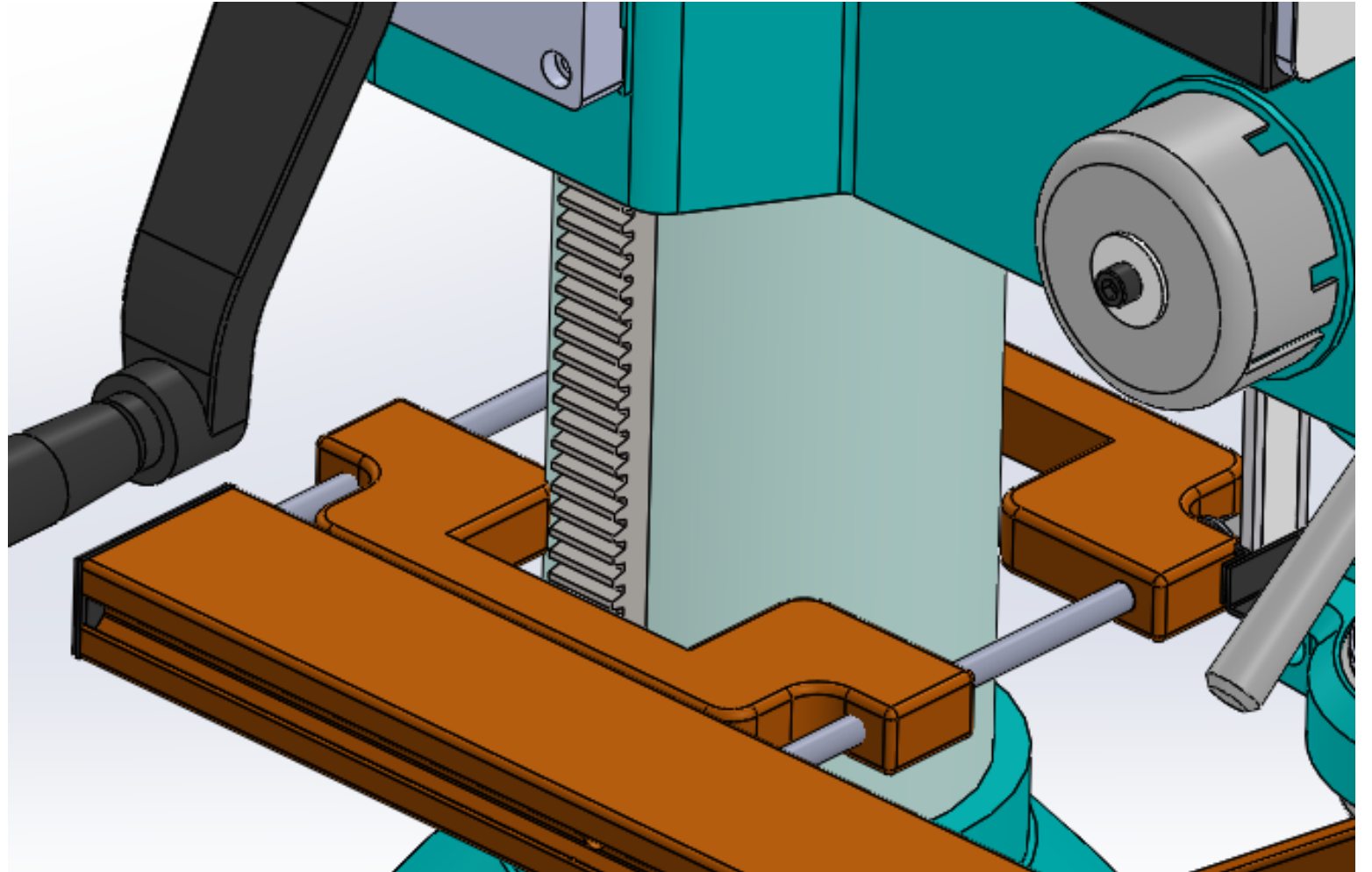
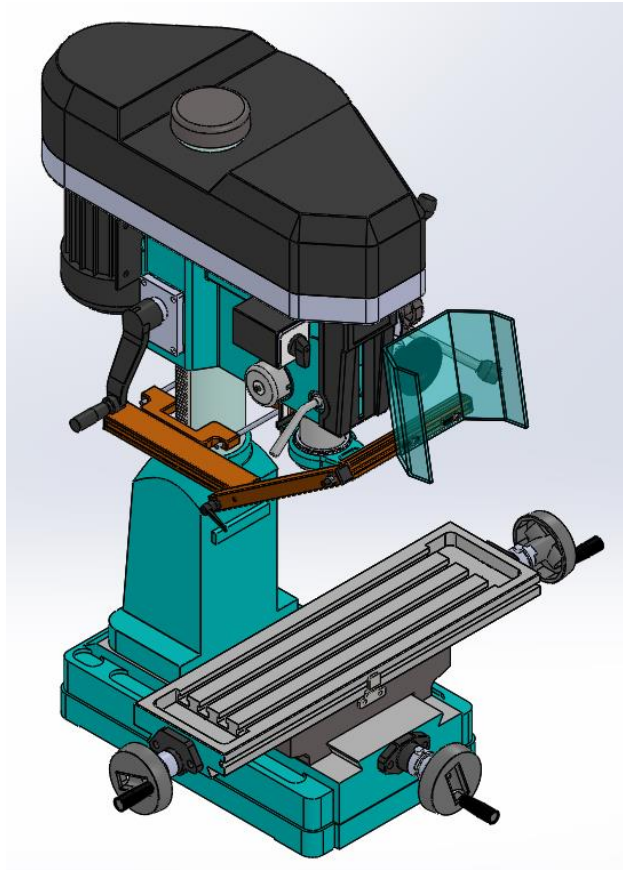


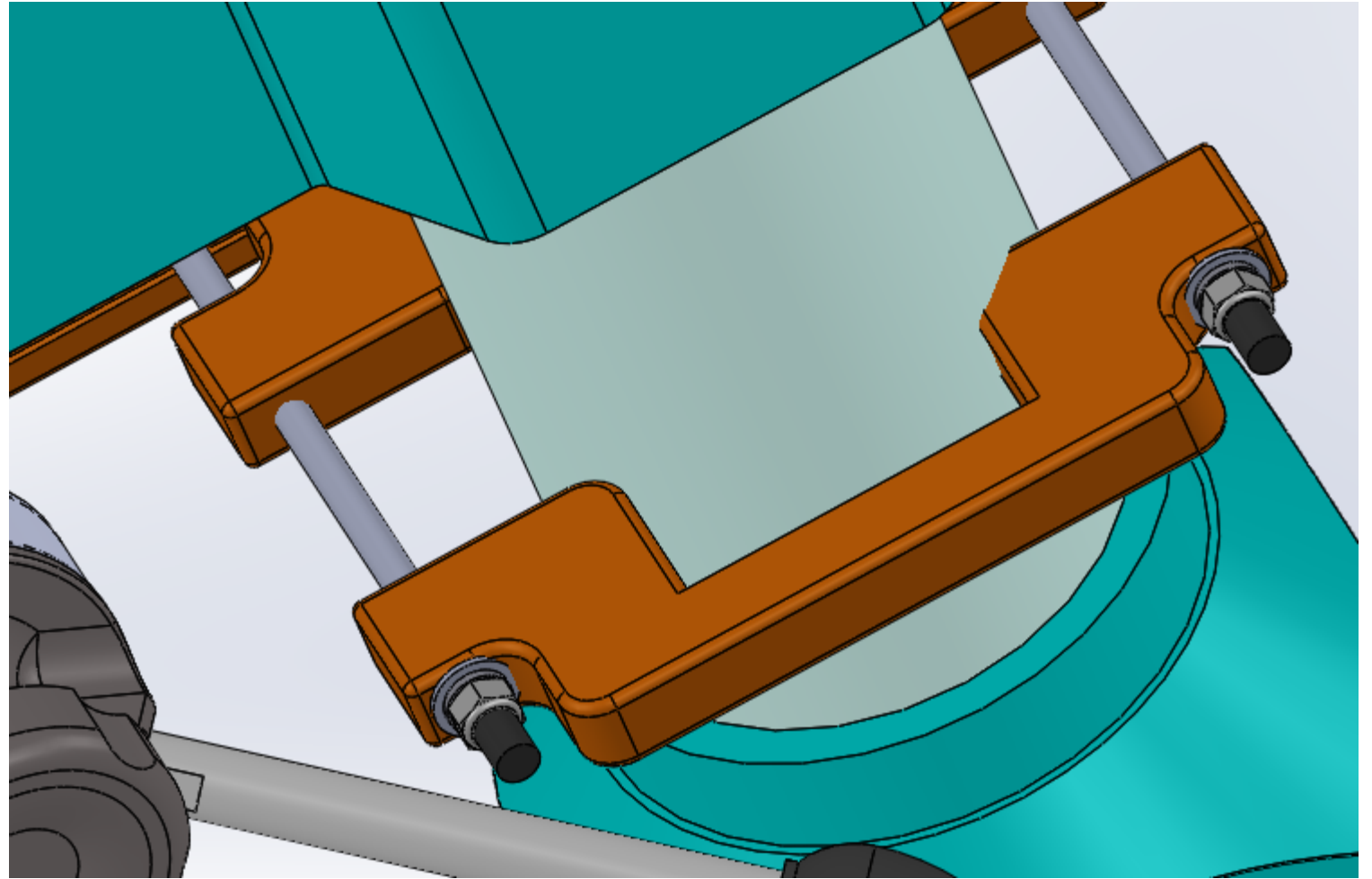
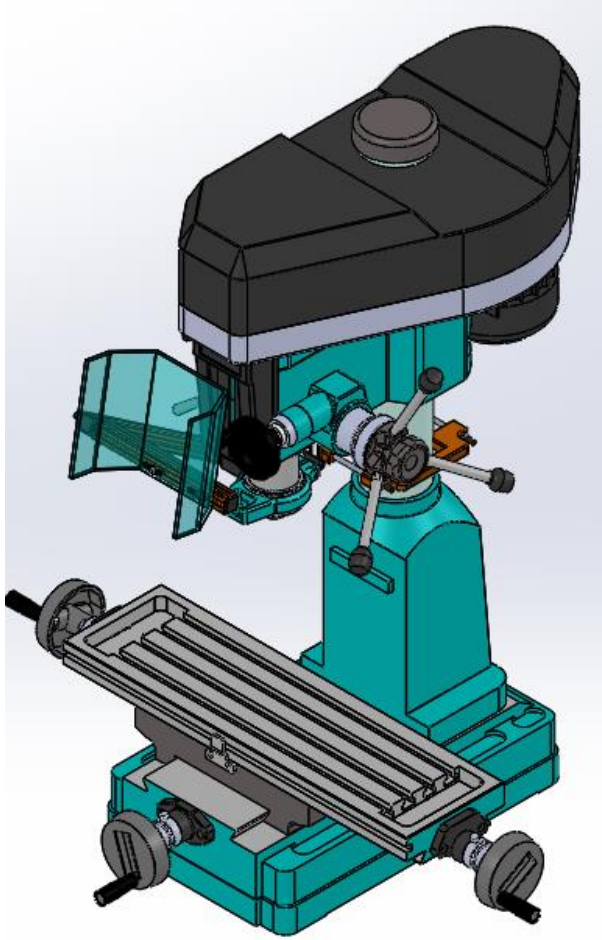
# Drill Press Guard, Econ-Series, Large

Part # DPG-ES2 Fits column diameters 4.0" +

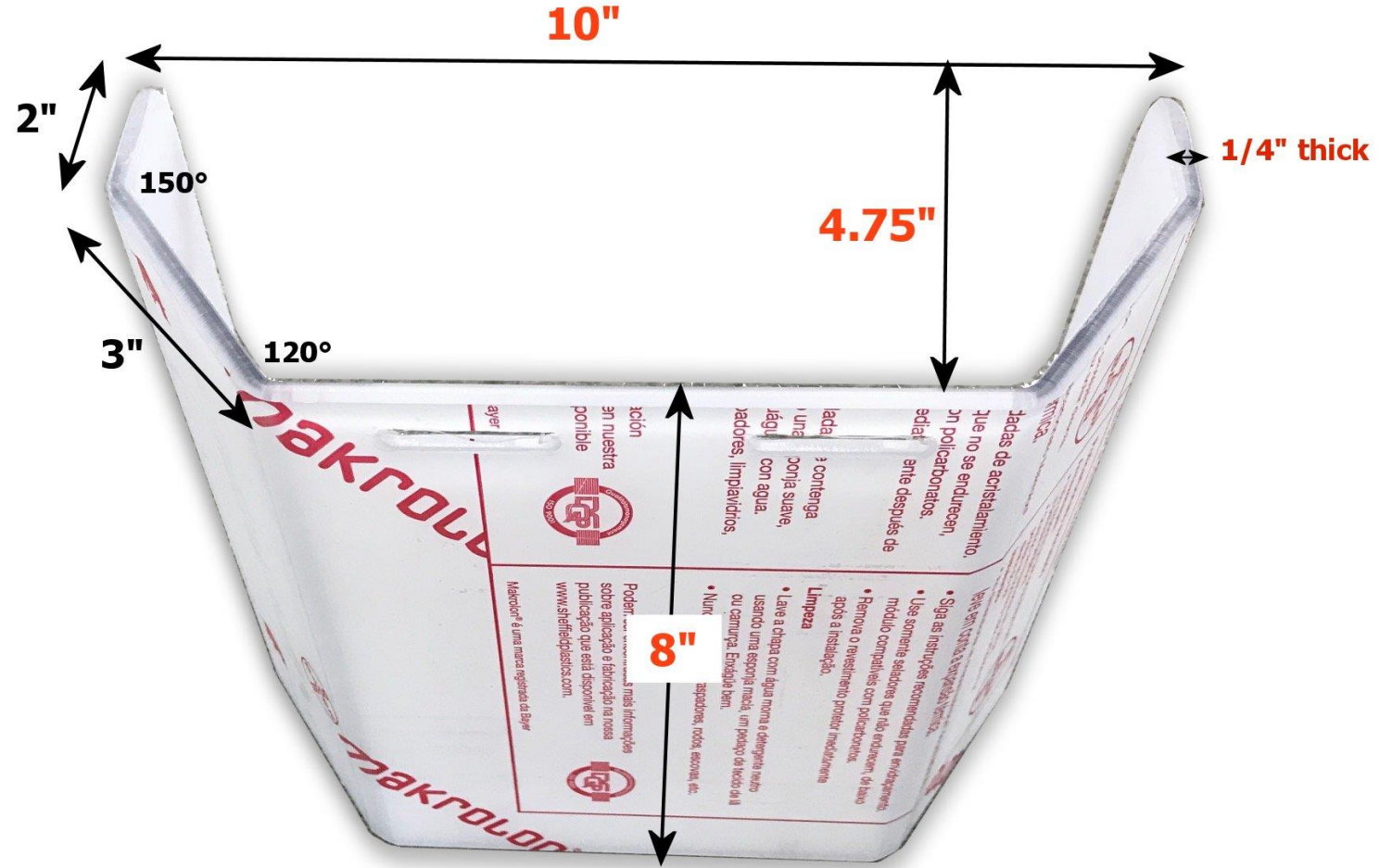




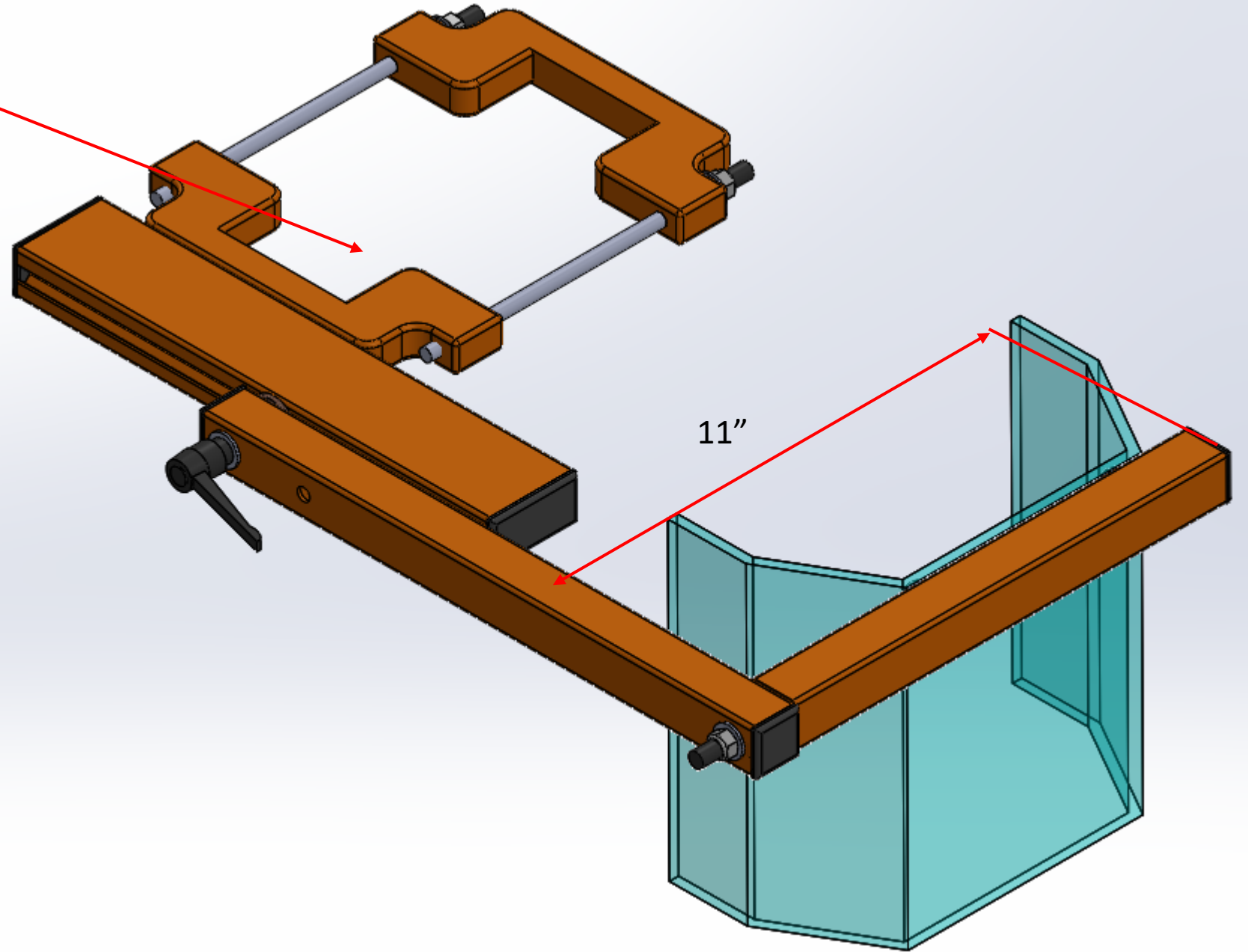




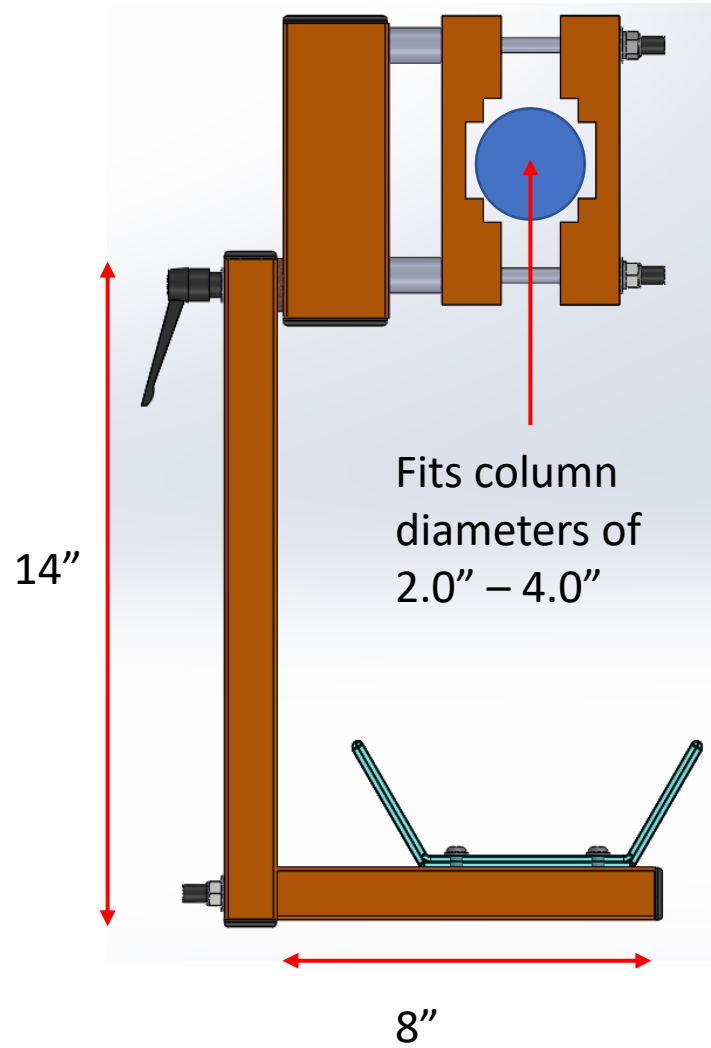
Shield Dimensions  
DPG-ES2



Fits column  
diameter of  
4.0" – 6.5"



## DPG-ES1



## DPG-ES2

