

## Drill Press Guard, Econ-Series

Part # DPG-ES1

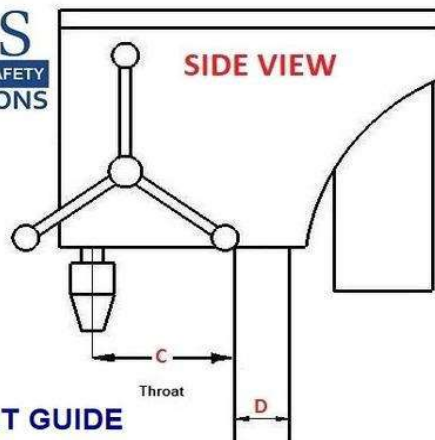
Machine application: Most small to mid-size drill presses, including bench-top and floor models.



- 6061 aluminum column clamp provides a bolt-on installation - no drilling! Installs in 5 minutes or less.
- Fits column diameters from 2.0 - 4.0" and throat distance of 5-10" (10-20" drill presses). See fitment guide photo.
- Slotted aluminum extrusion allows adjustment in/out and up/down to clear different work setups and table heights.
- Steel adjustable lever for easy re-positioning
- Shield flips upward 180 degrees for part/ drill bit change.
- Powder coated PPG's "OSHA Safety Orange"
- 1/4" thick lexan (polycarbonate) shield. The shield is 7.5" wide x 7" tall. Replacements available.



ATS  
MACHINE SAFETY  
SOLUTIONS



### FITMENT GUIDE

**PART # DPG-ES1**

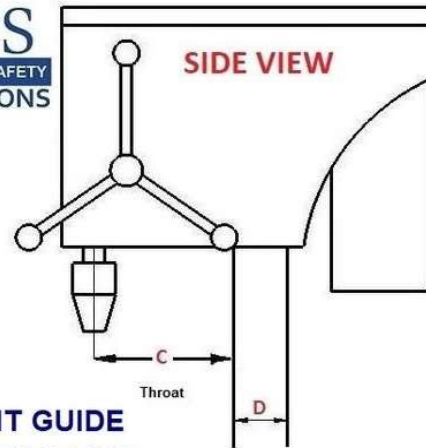
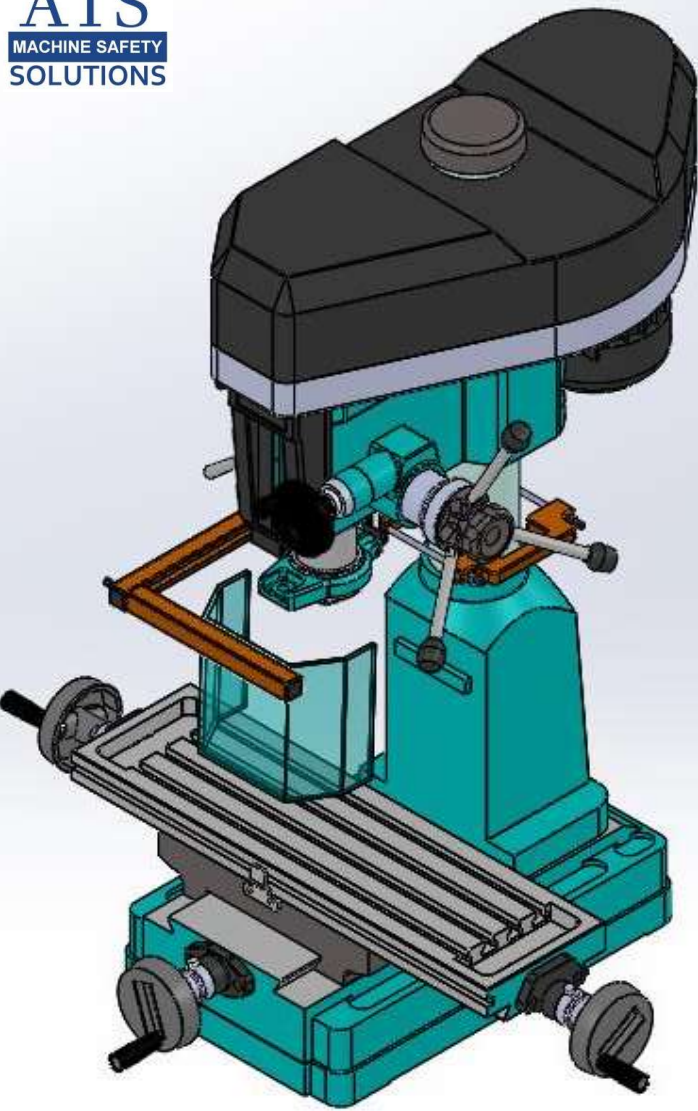
Throat Distance (C) of 5-10"

Column Diameter (D) of 2.0 - 4.0"



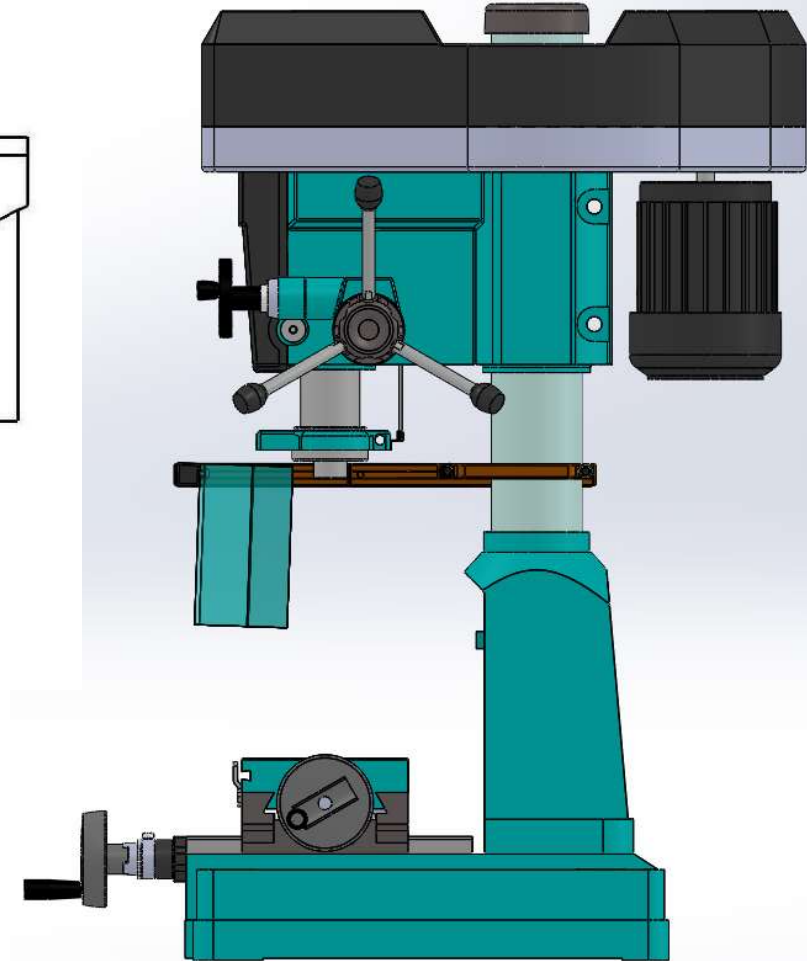
# Drill Press Guard, Econ-Series, Large

Part # DPG-ES2 Fits column diameters 4.0" +

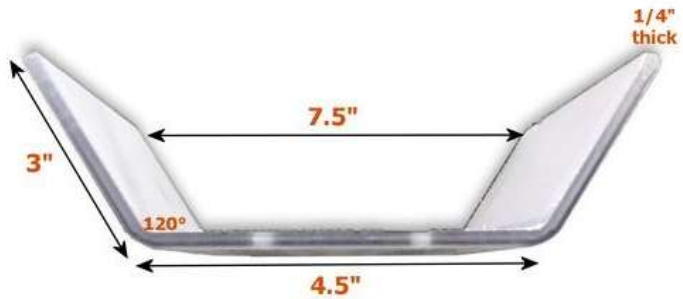


**FITMENT GUIDE**  
Part# DPG-ES2

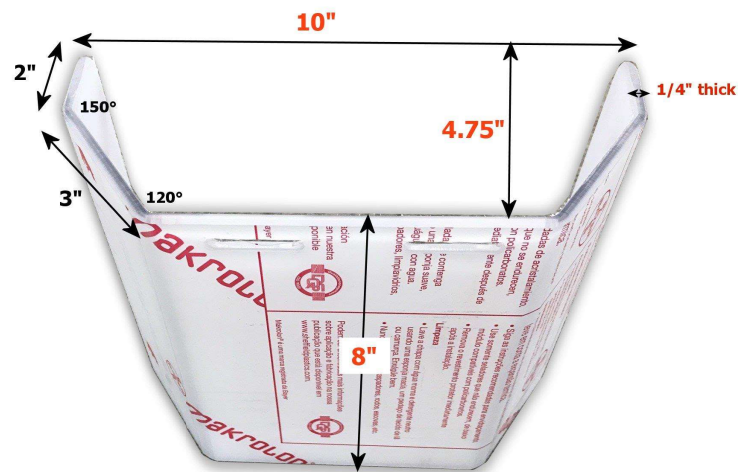
Throat Distance (C) of 10 - 16"  
Column Diameter (D) of 4.0 - 6.5"



DPG-ES1 Shield

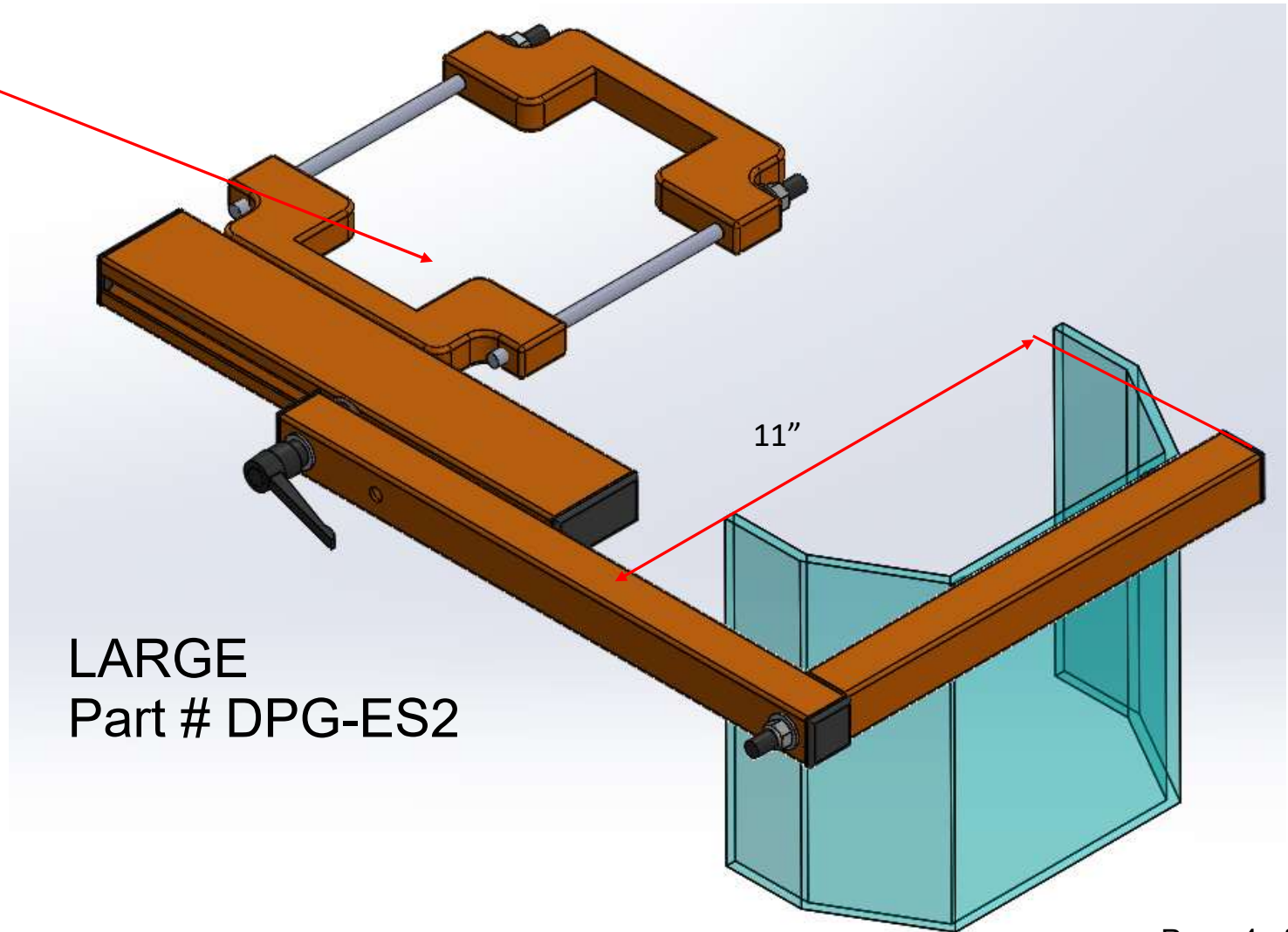


DPG-ES1 Shield



DPG-ES2 Shield

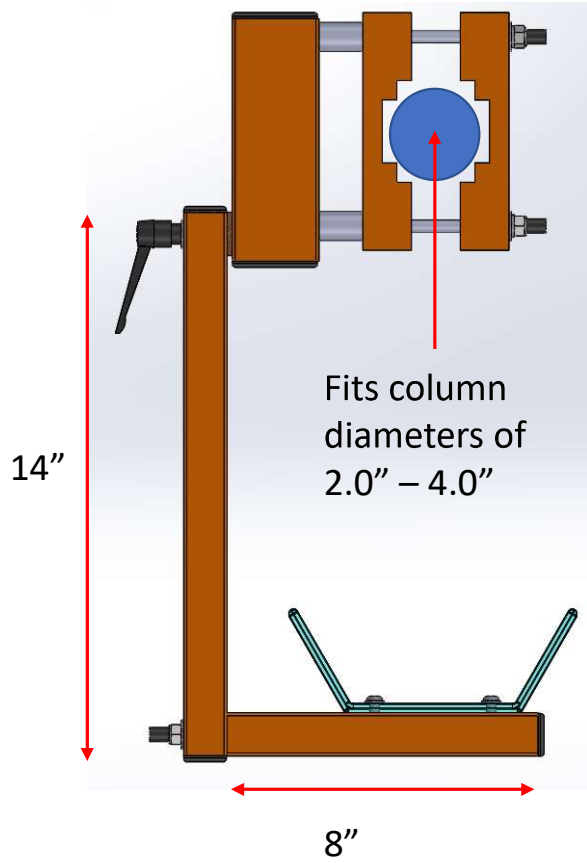
Fits column  
diameter of  
4.0" – 6.5"



LARGE  
Part # DPG-ES2



## DPG-ES1



## DPG-ES2

