

ATS

MACHINE SAFETY SOLUTIONS

ATSSafety.com 828-631-9609

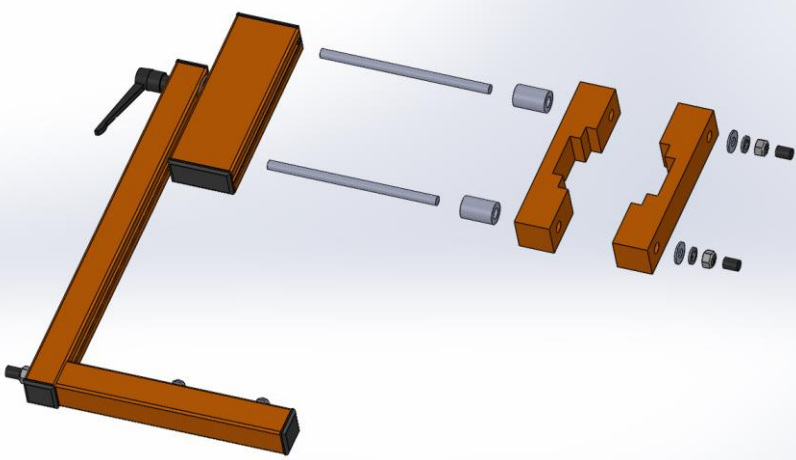
Drill Press Guard (DPG-ES1) – Installation

Mounting

The guard is intended to clamp to 2.0 – 4.0” diameter columns

1. The clamp will assemble as shown. First, install the threaded rods into the t-nuts in the extrusion. Slide the rod/tnut in the extrusion track to align with clamp holes. Tighten by hand until studs bottom out. Slide on spacers (if applicable) then slide on ½ the clamp.

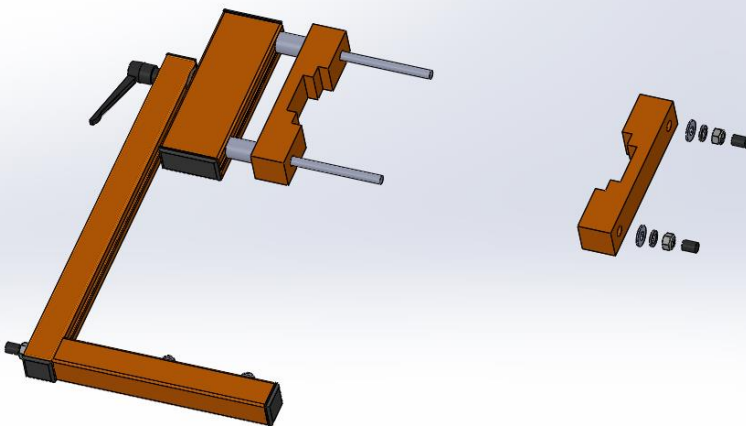
*****Only use 28mm spacers if the press column is less than 3.25”**

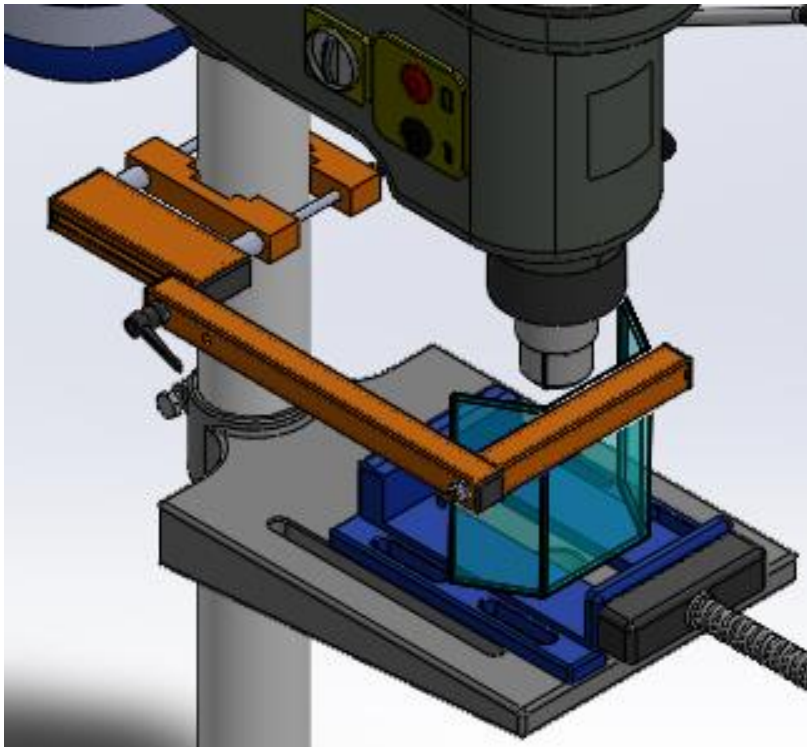


2. Install the clamp assembly about level with the drill chuck. Hold the half with the studs in one hand and place the other clamp half over the studs. Install washers, lock washers, and nuts. Use a ½” wrench to snug.

Tighten the assembly (snug) but leave it loose enough to rotate.

Continued on Page 2





Mounting

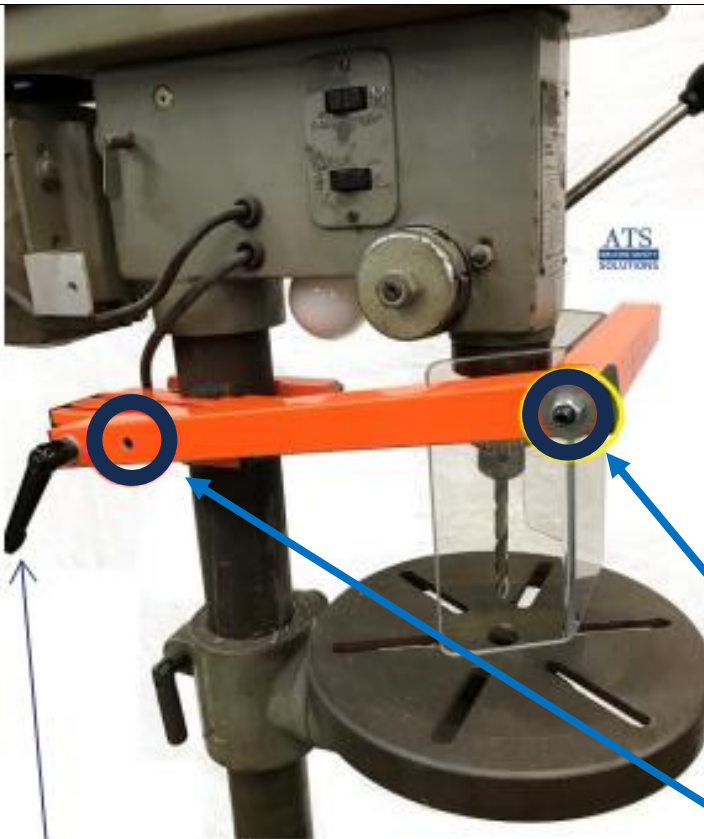
3. Rotate the guard at the column clamp until the front arm of the guard is square to the machine.
4. Now you may finally tighten the clamp assembly.



5. Peel off 1" of shield masking around the holes.
6. Install the lexan shield onto the front arm with a 4mm allen wrench. Make sure to align the t-nuts in the extrusion track with the holes in the shield. The shield can be moved left to right in the t-slot for best position before tightening. **DO NOT TORQUE TOO MUCH OR LEXAN WILL CRACK!** Just use the small end of the allen wrench to tighten.
7. Loosen and adjust components as needed to obtain optimal fitment.
8. Peel off all shield masking.

Operation and Maintenance

- If the shield does not have enough tension, or weakens over time and drops down easily, remove the black plastic nut cap and tighten the lock nut slightly with a 13mm wrench.
- Extra hole in adjustment arm for smaller machines that require less adjustment.
- Clean lexan with a moist, clean rag. Windex is safe to use.



Note: Levers have adjustable position. Pull out on the lever and rotate to re-position.

ATS

MACHINE SAFETY
SOLUTIONS

ATSSafety.com 828-631-9609

DPG-ES2 – Installation

Mounting

The guard is intended to clamp to 4.0 – 6.5" diameter columns

1. The clamp will assemble as shown. First install the threaded rods into the clamp half attached to the frame. They will thread in by hand at least 1" into the aluminum.

2. Install the clamp assembly about level with drill chuck as shown. Hold the half with the studs in one hand and place the other clamp half over the studs. Install washers, lock washers and nuts. Use a ½" wrench to snug.

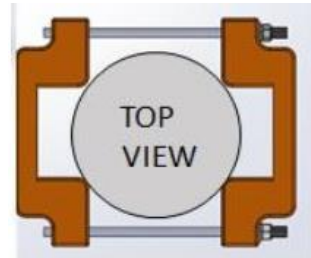
Tighten the assembly (snug) but leave loose enough to rotate.

Continued on Page 2

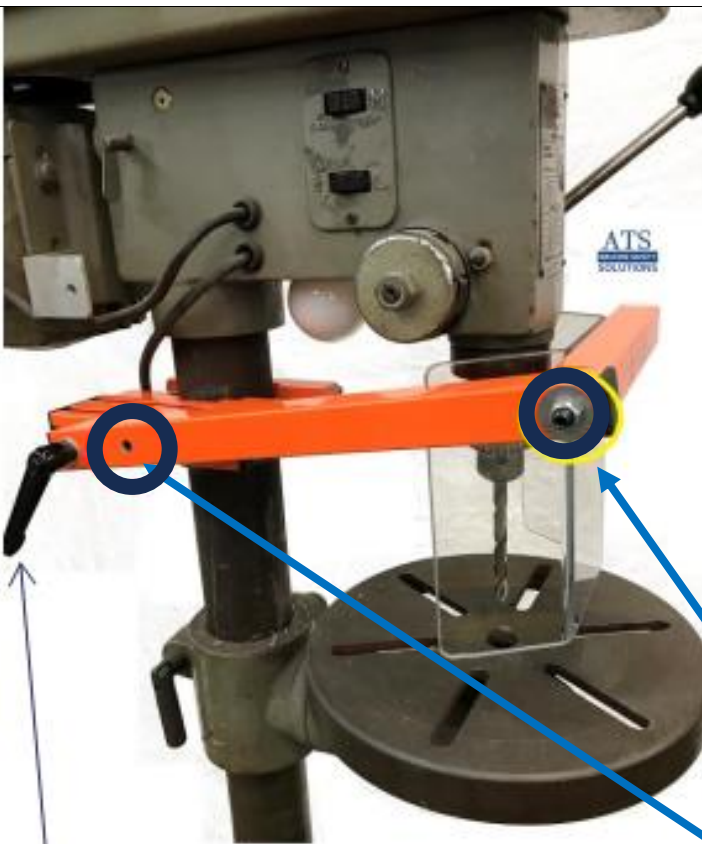


Mounting

3. Rotate the guard at the column clamp until the front arm of the guard is square to the machine.
4. Now you may finally tighten the clamp assembly.



The clamp will have 4 points of contact as shown above and can clear the gear rack if needed.



Note: Levers have adjustable position. Pull out on the lever and rotate to re-position.

5. Peel off 1" of shield masking around the holes.
6. Install the lexan shield onto the front arm with a 4mm allen wrench. Make sure to align the t-nuts in the extrusion track with the holes in the shield. The shield can be moved left to right in the t-slot for best position before tightening.
- DO NOT TORQUE TOO MUCH OR LEXAN WILL CRACK!** Just use the small end of the allen wrench to tighten.
7. Loosen and adjust components as needed to obtain optimal fitment.
8. Peel off all shield masking.

Operation and Maintenance

- If the shield does not have enough tension, or weakens over time and drops down easily, remove the black plastic nut cap and tighten the lock nut slightly with a 13mm wrench.
- Extra hole in adjustment arm for smaller machines that require less adjustment.
- Clean lexan with a moist, clean rag. Windex is safe to use.