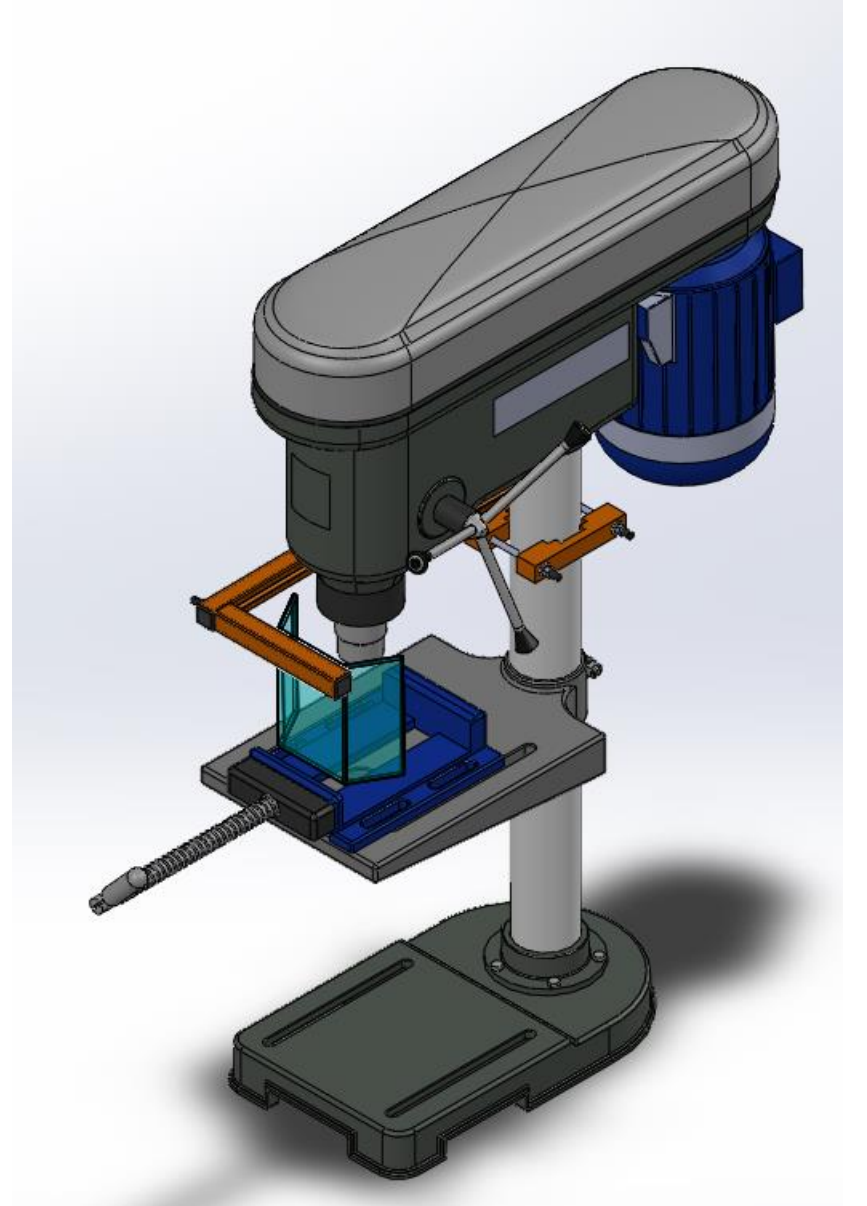
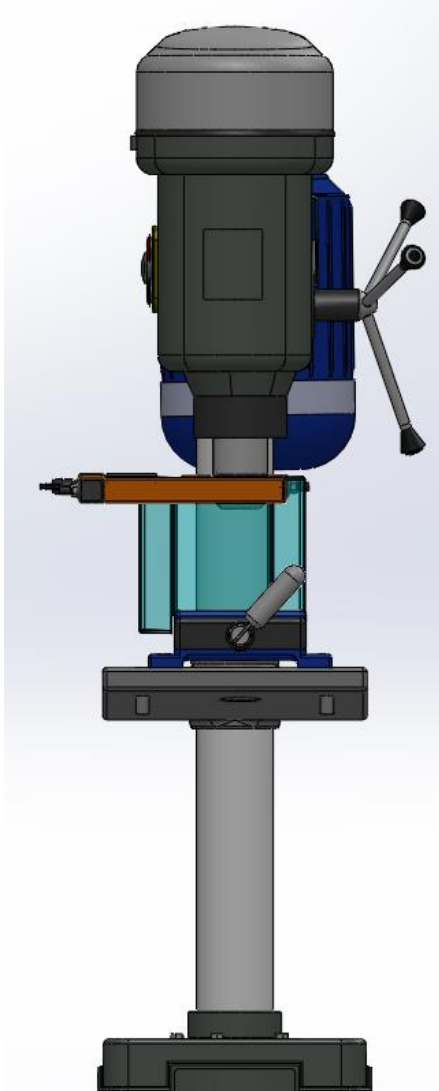
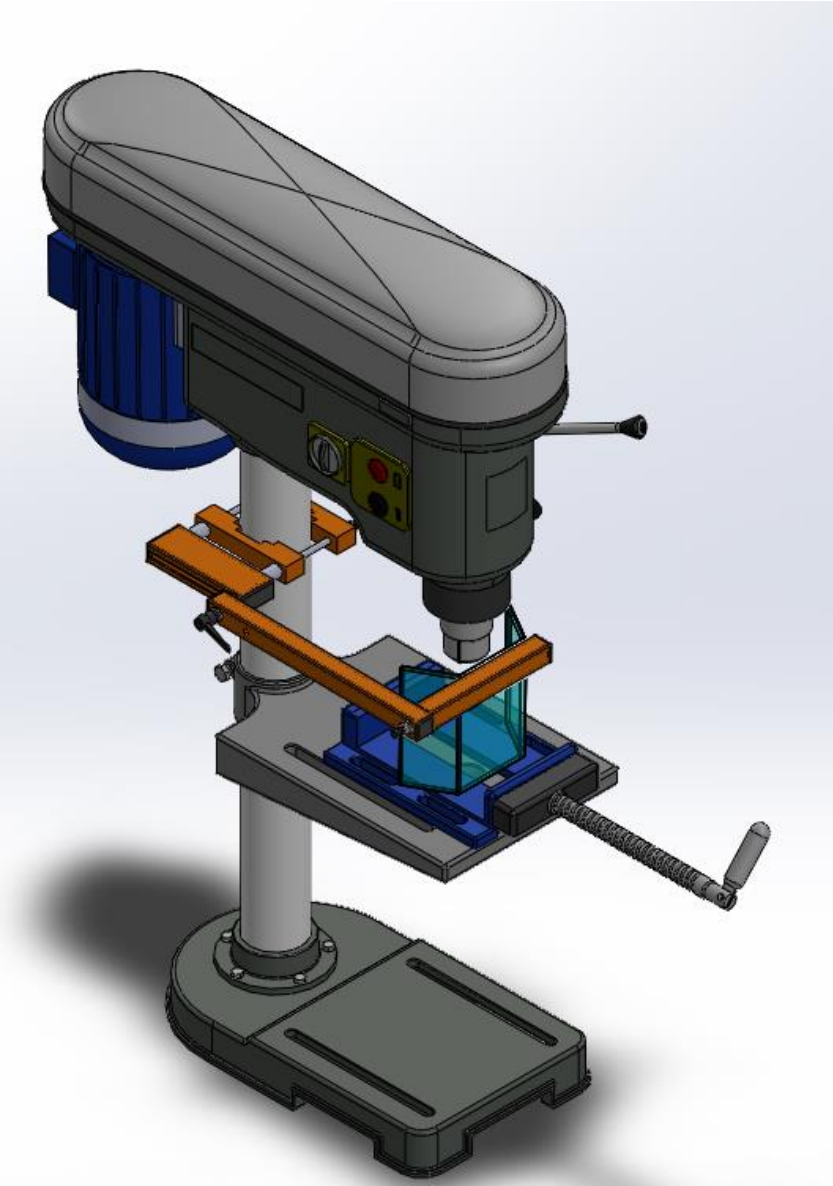
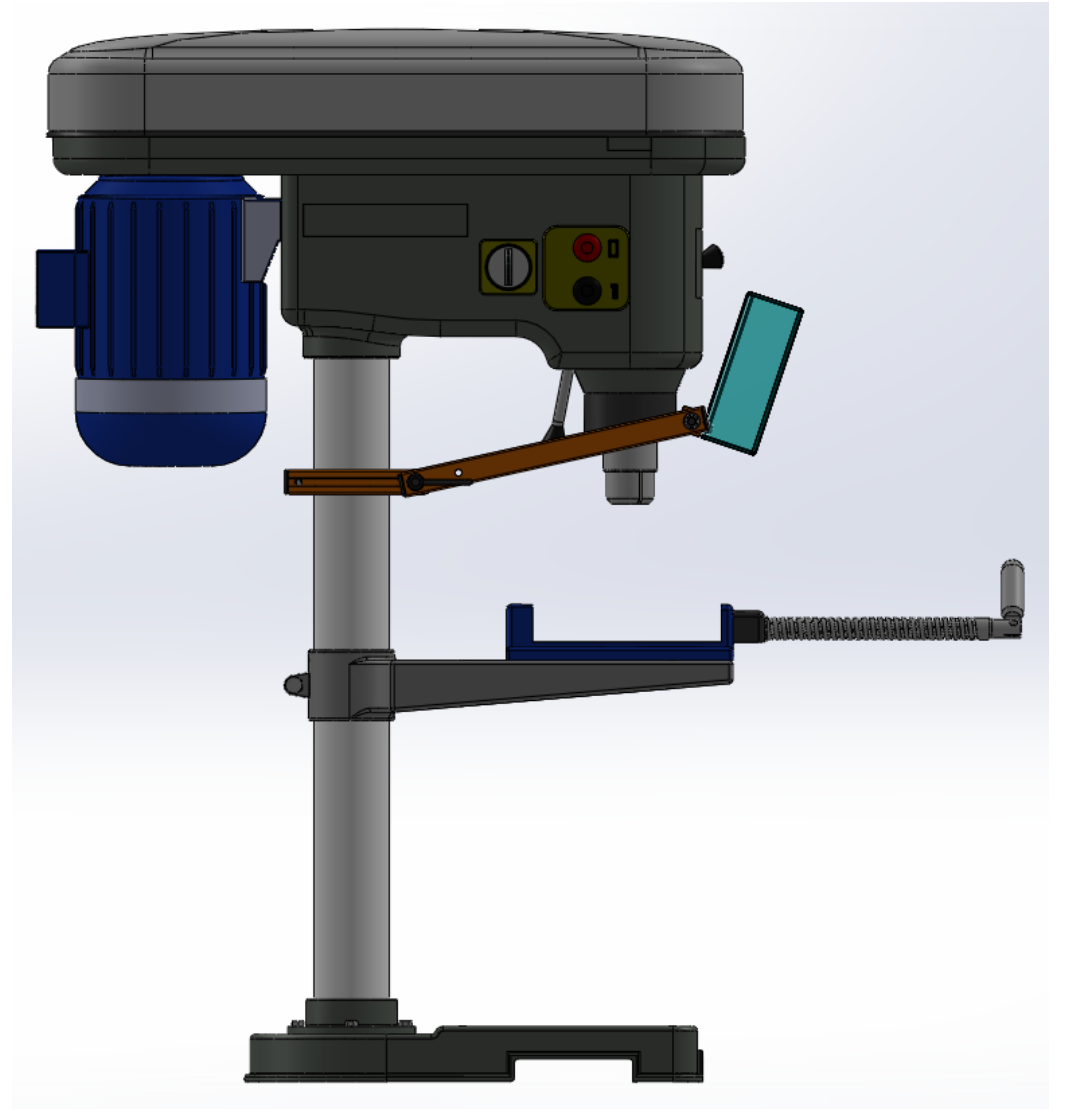
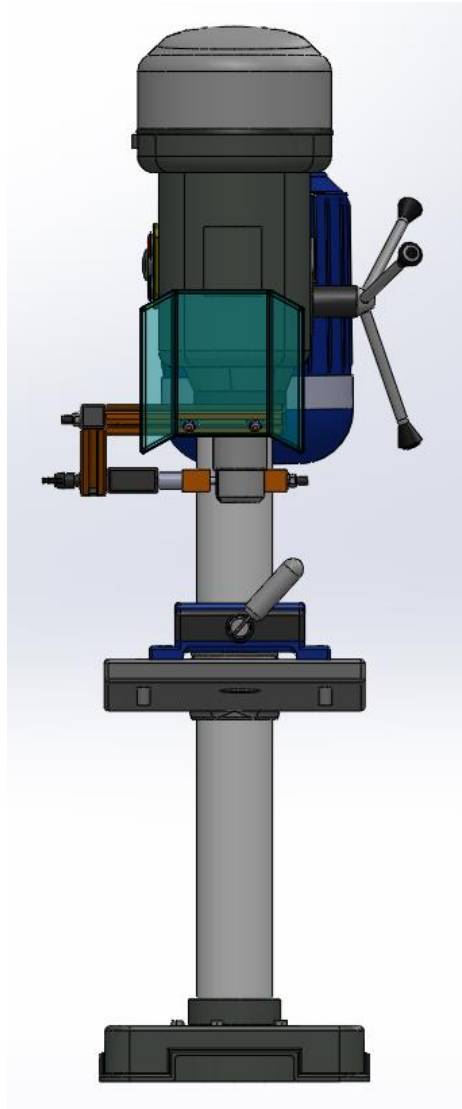
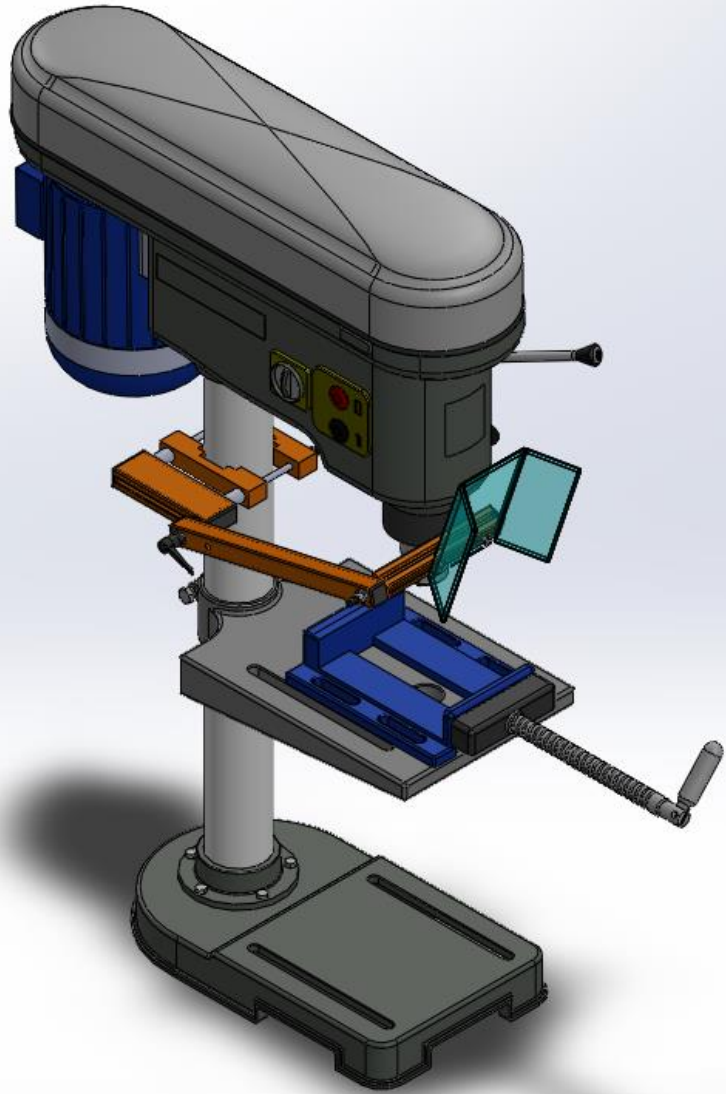


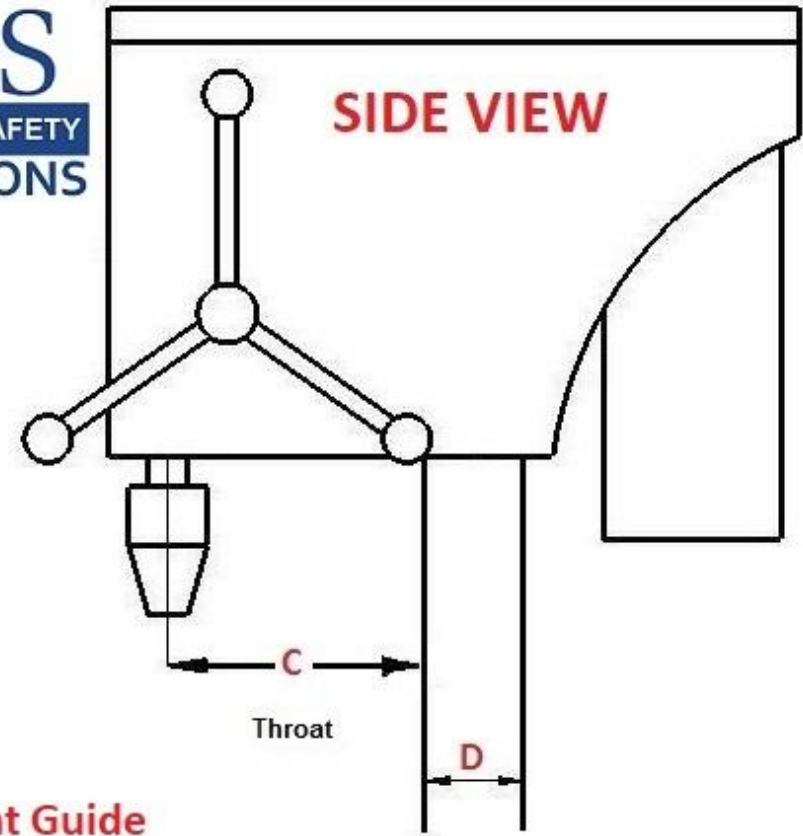
Drill Press Guard, Econ-Series

Part # DPG-ES1





ATS
MACHINE SAFETY
SOLUTIONS



Fits machines with these measurements:

Fitment Guide

Part # DPG-ES1

Throat Distance (C) of 5-10"

Column Diameter (D) of 2.0 - 4.0"

Bolt-on installation. Installs in minutes. The billet aluminum two piece clamp fits column diameters up to 4.0”.

