

Drill Press Guard, Large 18" throat max. / Fits 4.0 - 6.5" column diameter

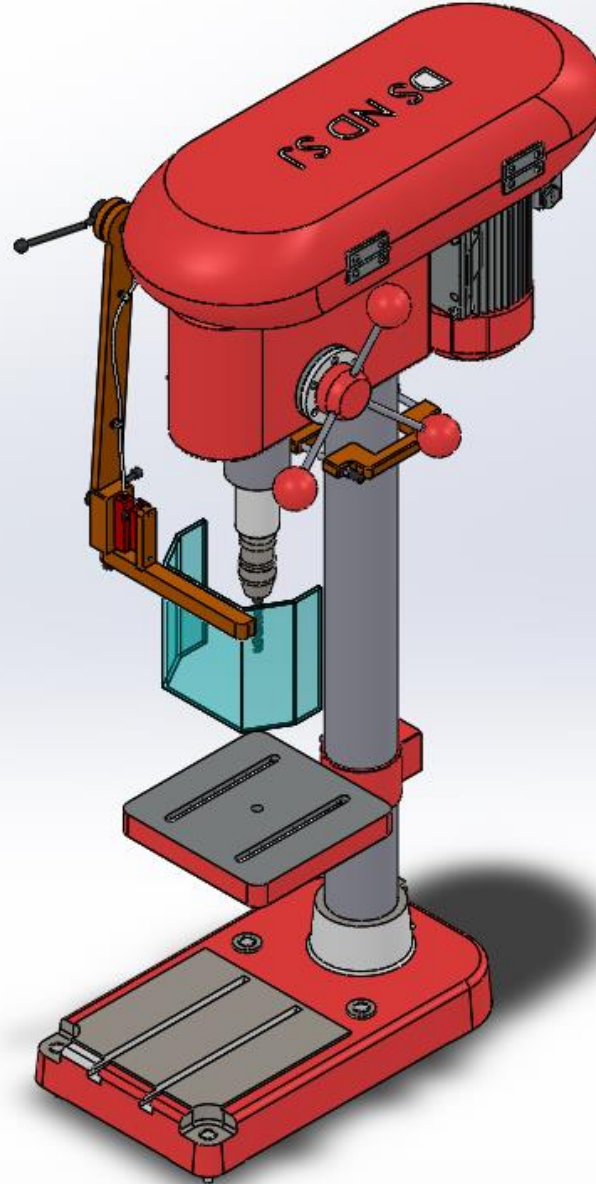
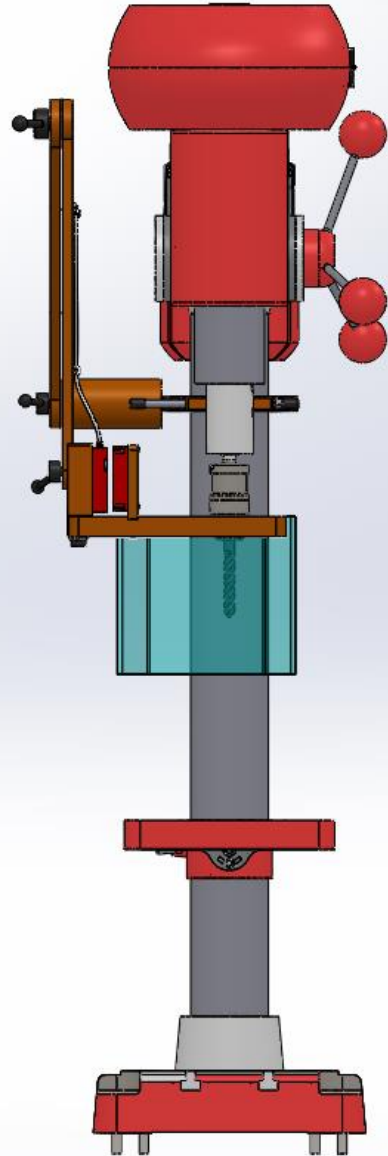
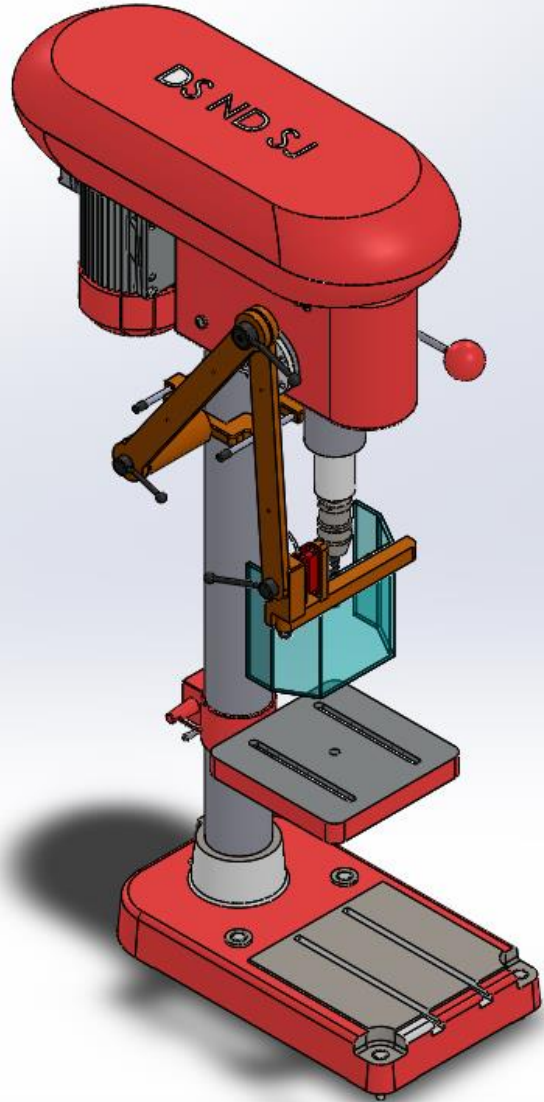
Part # DPG-2

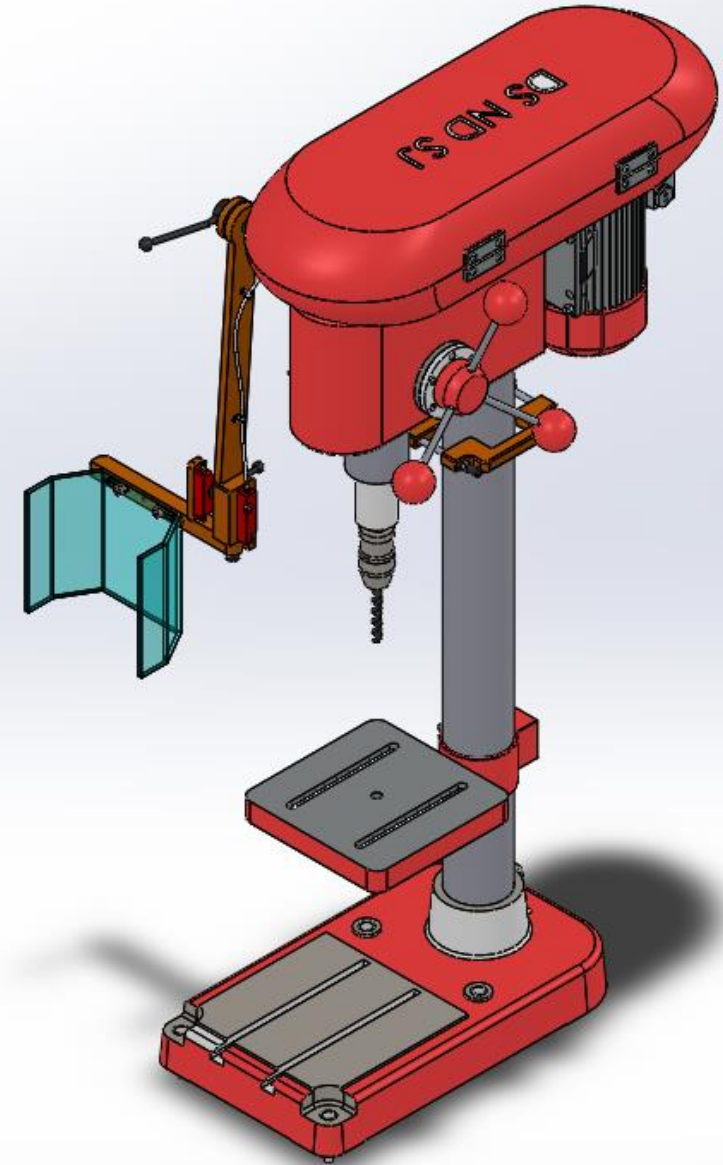
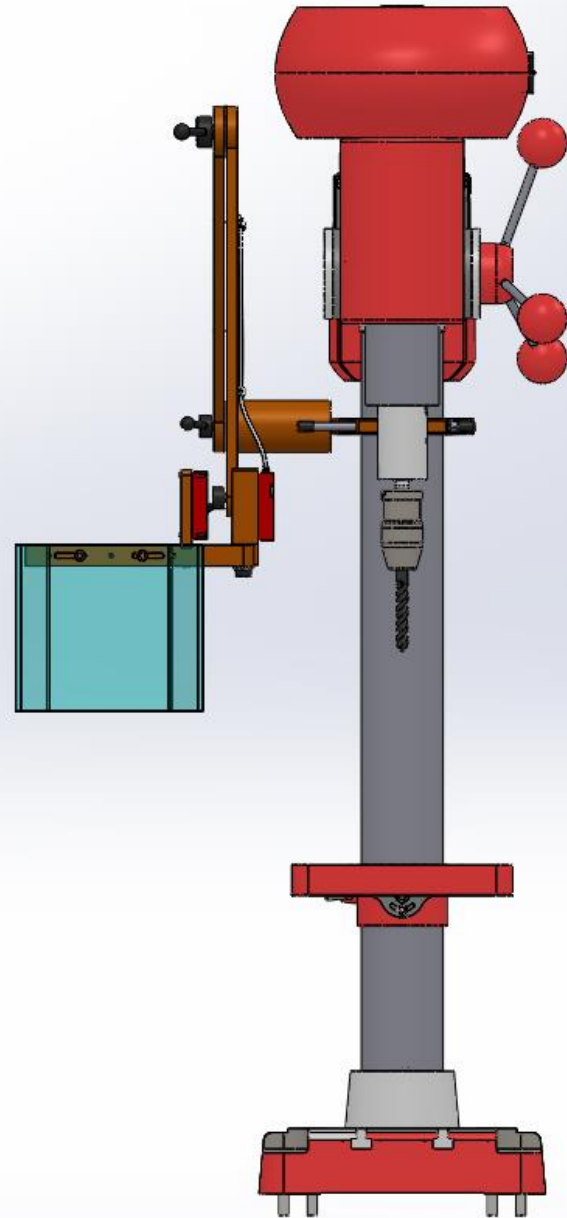
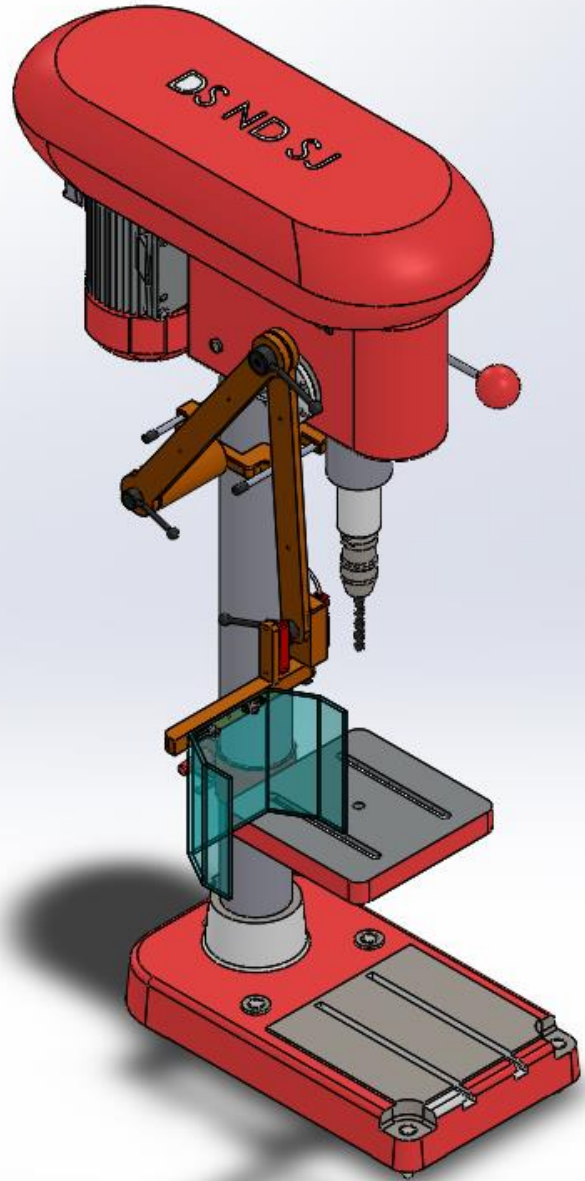


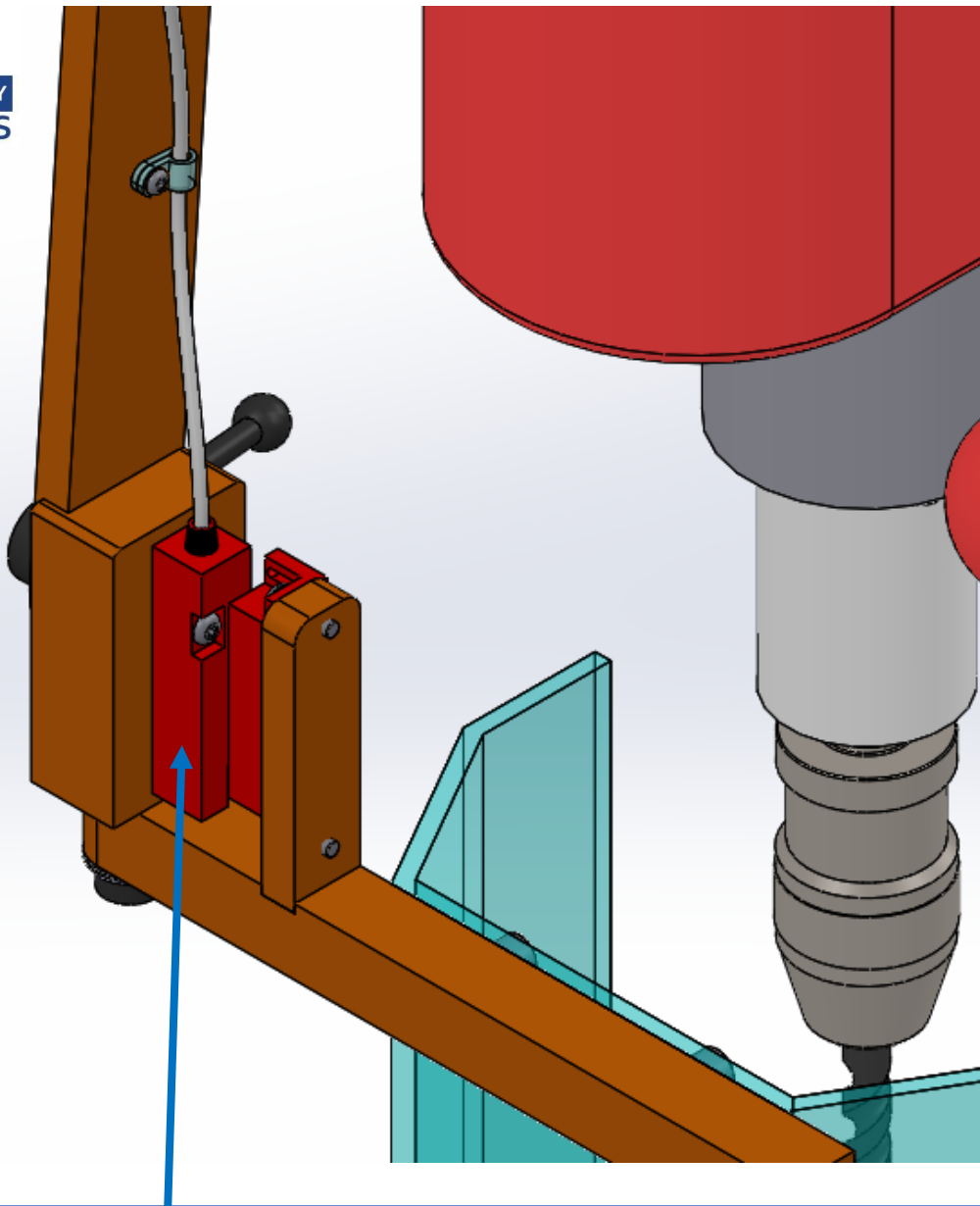
Shown with optional safety switch

Drill Press Guard, 18" throat max. / 4.0-6.5" column diameter

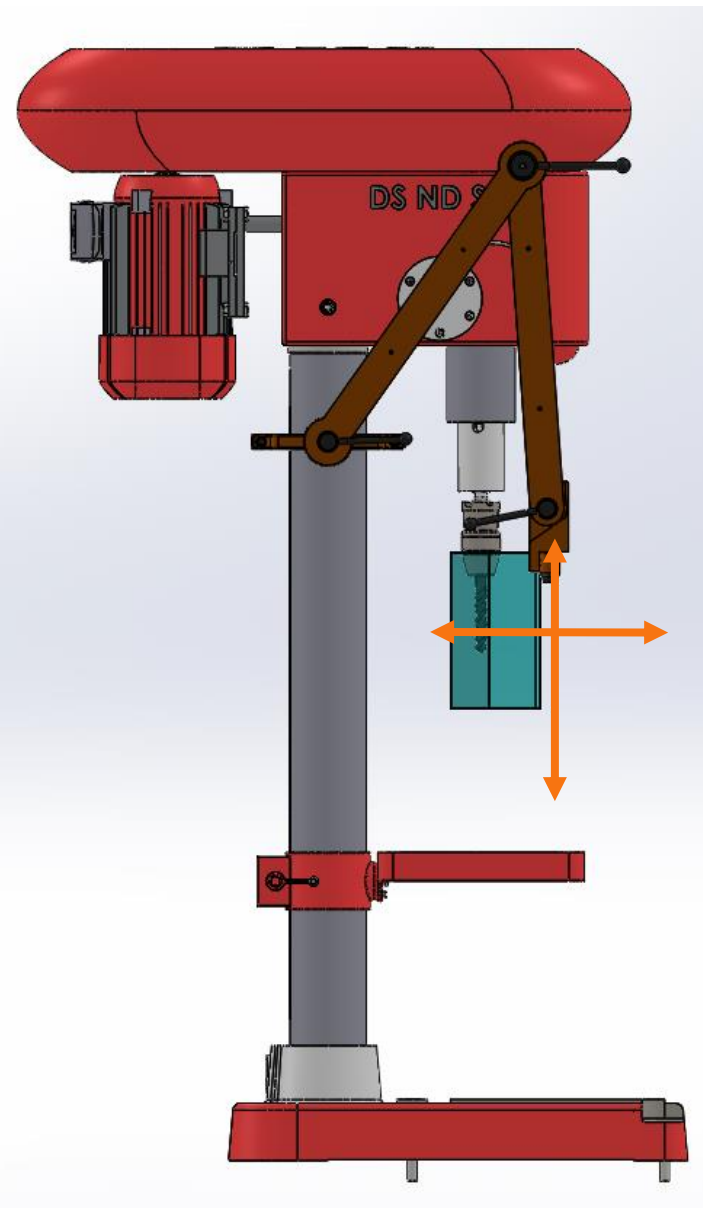
Part # DPG-2





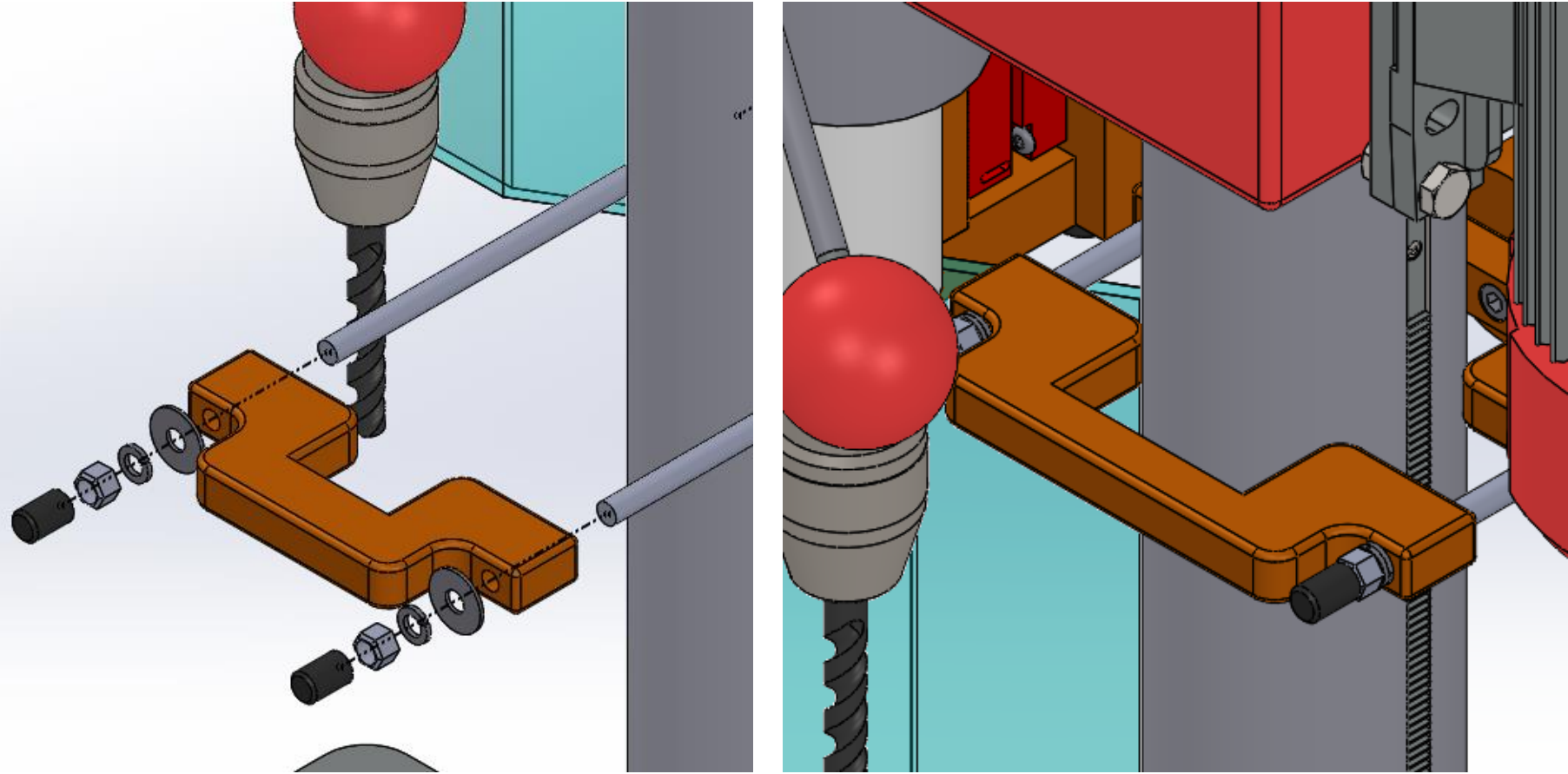
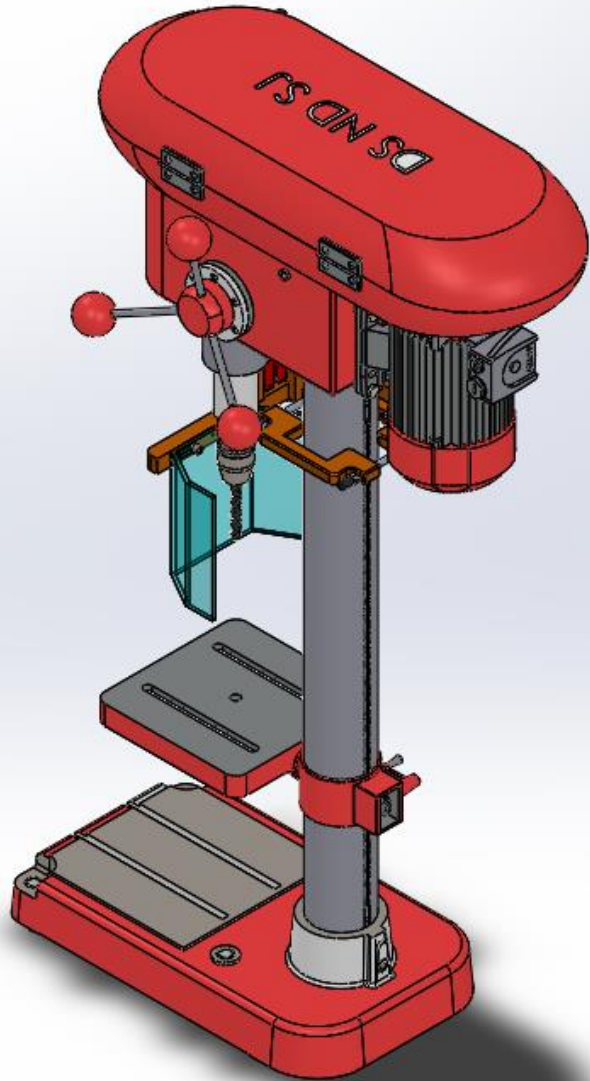


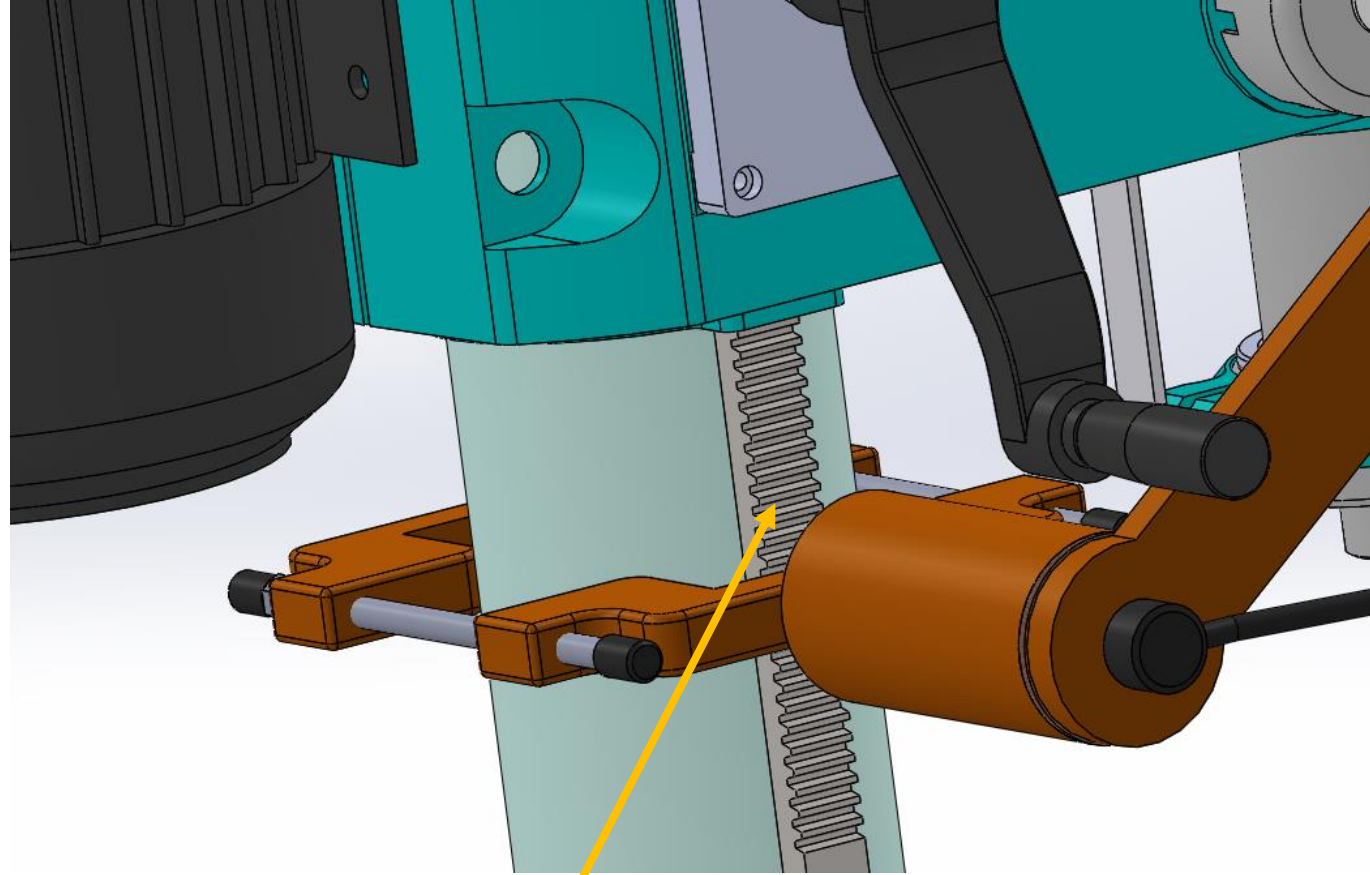
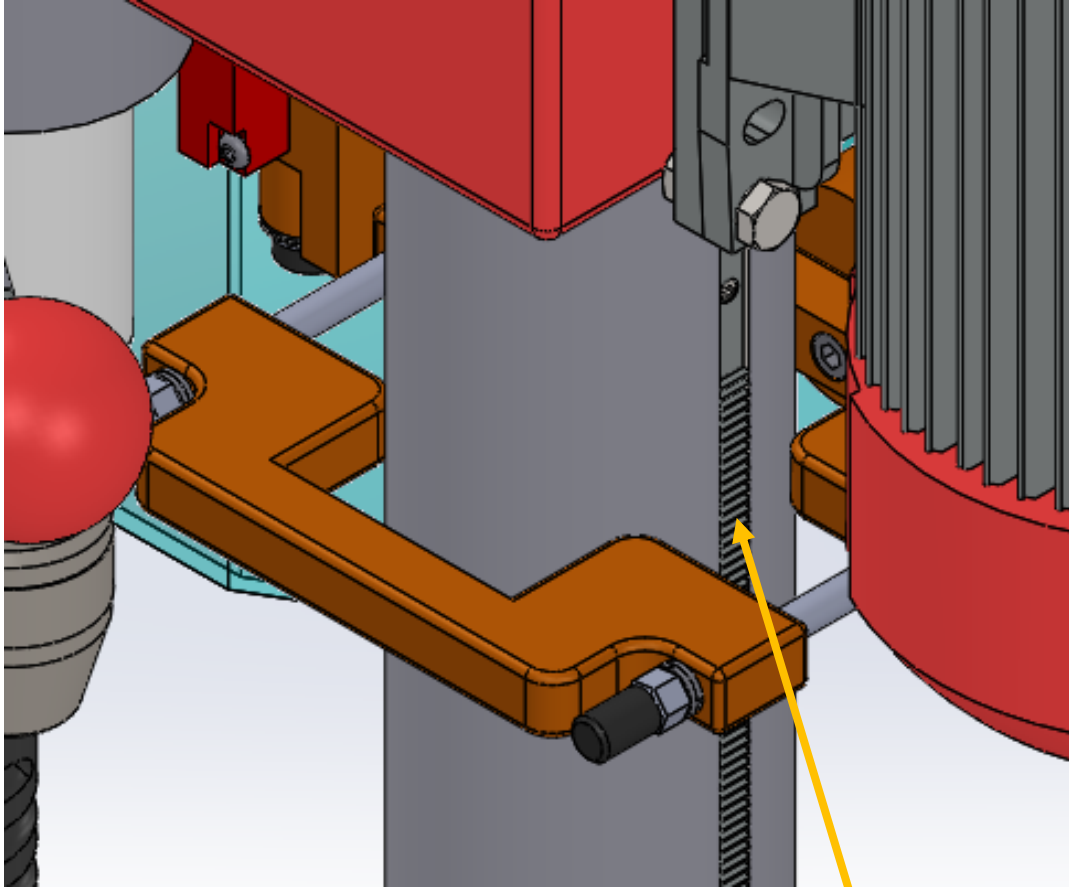
Optional safety switch / interlock.
Non-contact Magnetic safety switch.



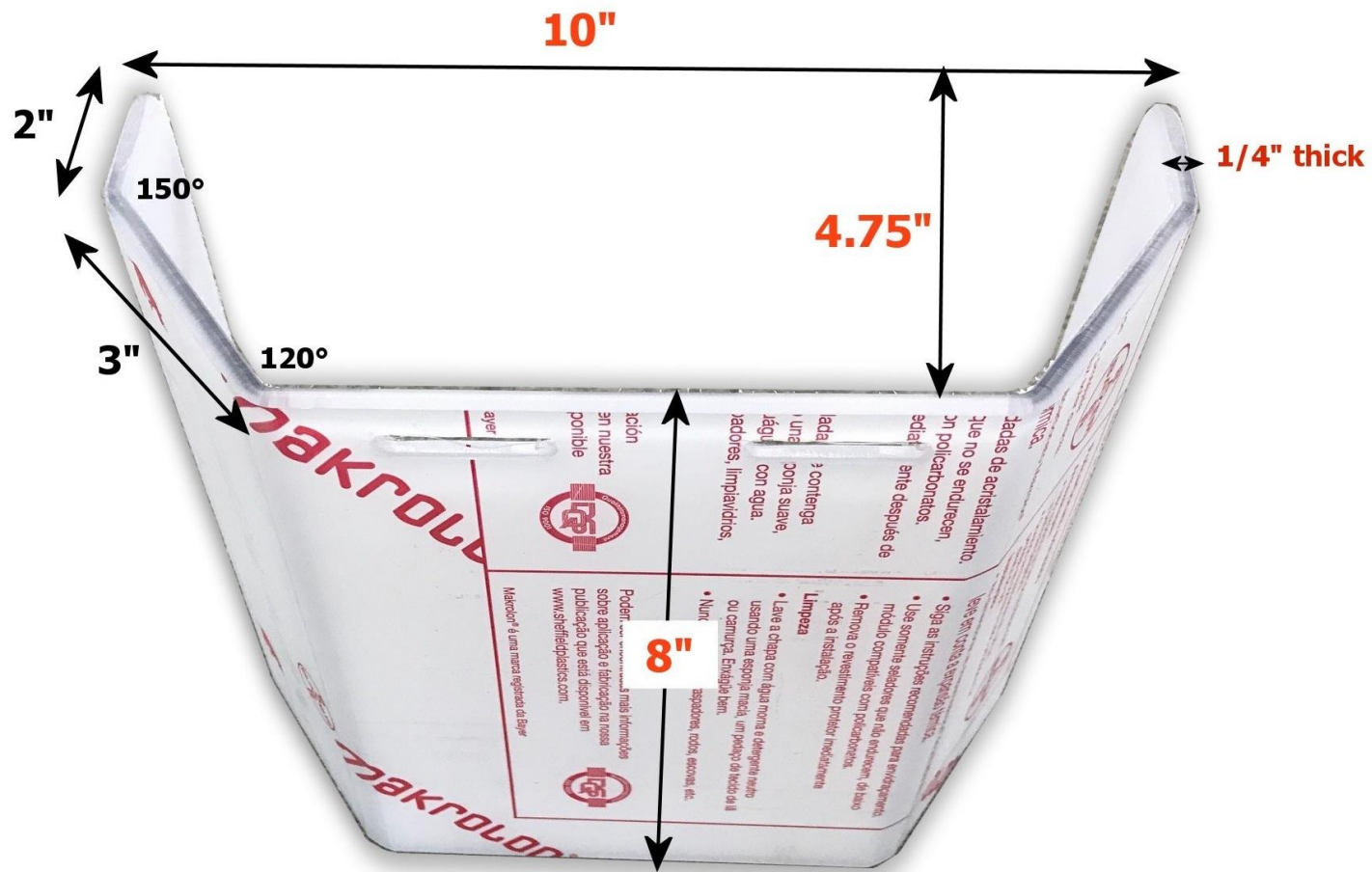
Loosen all 3 steel handles and the articulating arms
allow you to position the shield where needed.

Bolt-on installation. Installs in minutes. The billet aluminum two piece clamp fits column diameters from 4.0" – 6.5" maximum.





Designed to clear the gear rack and still allow table adjustment.



This is the 1/4" thick lexan shield that comes standard with it.