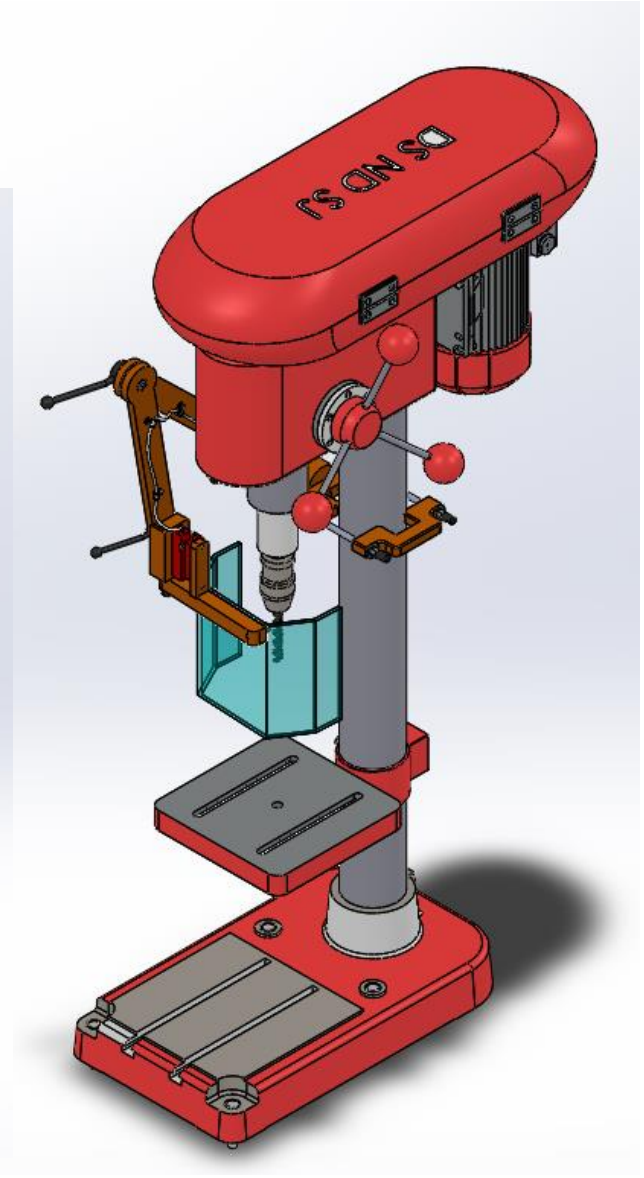
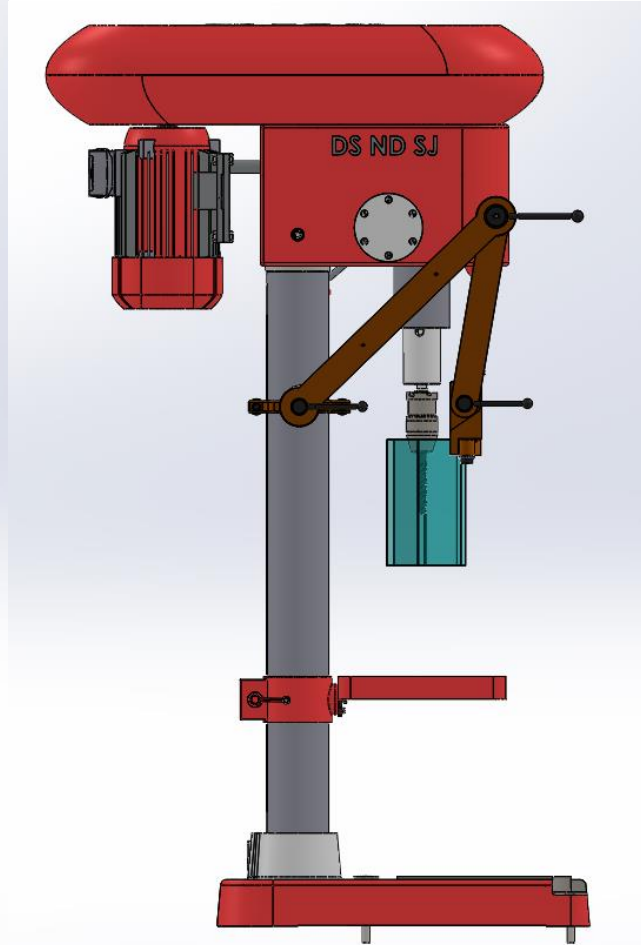
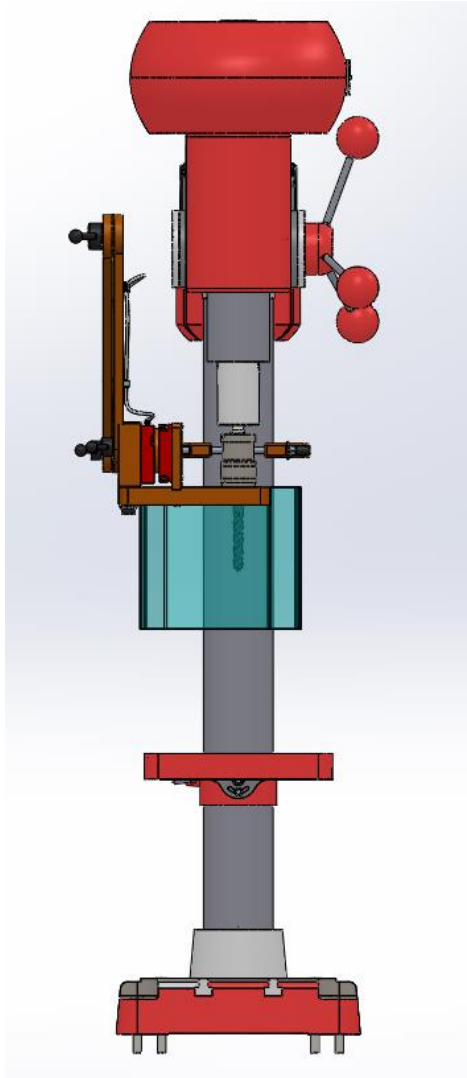
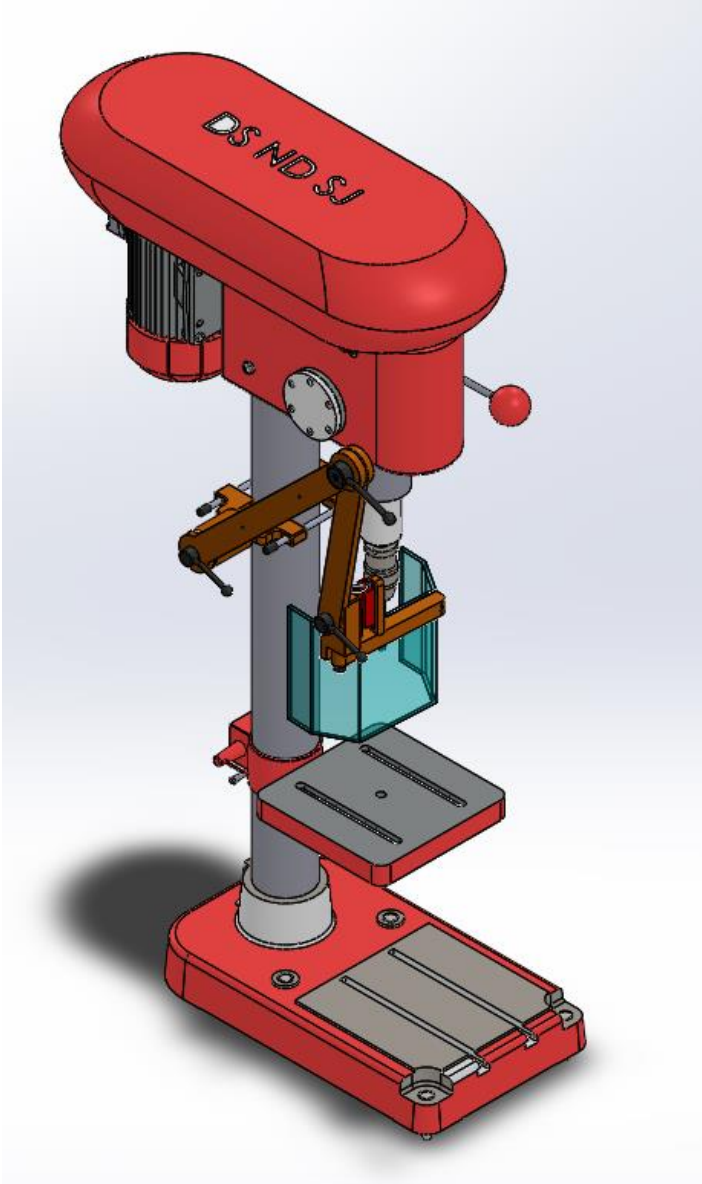
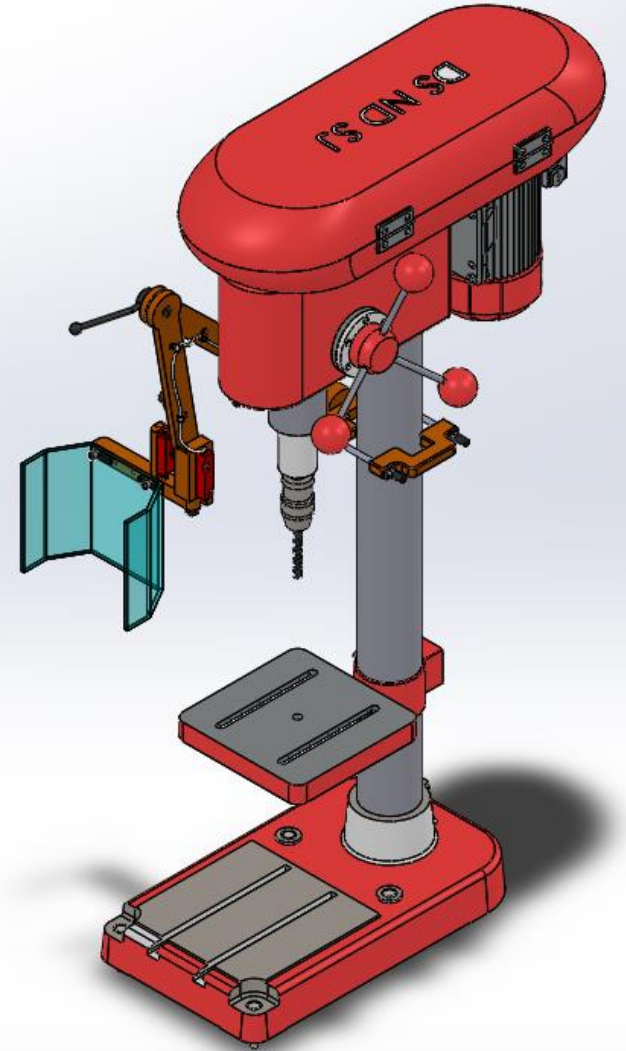
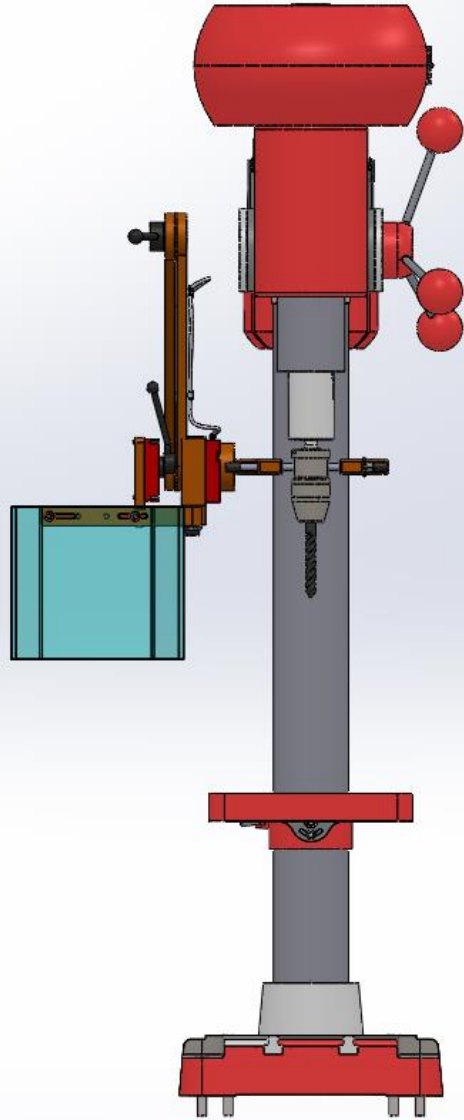
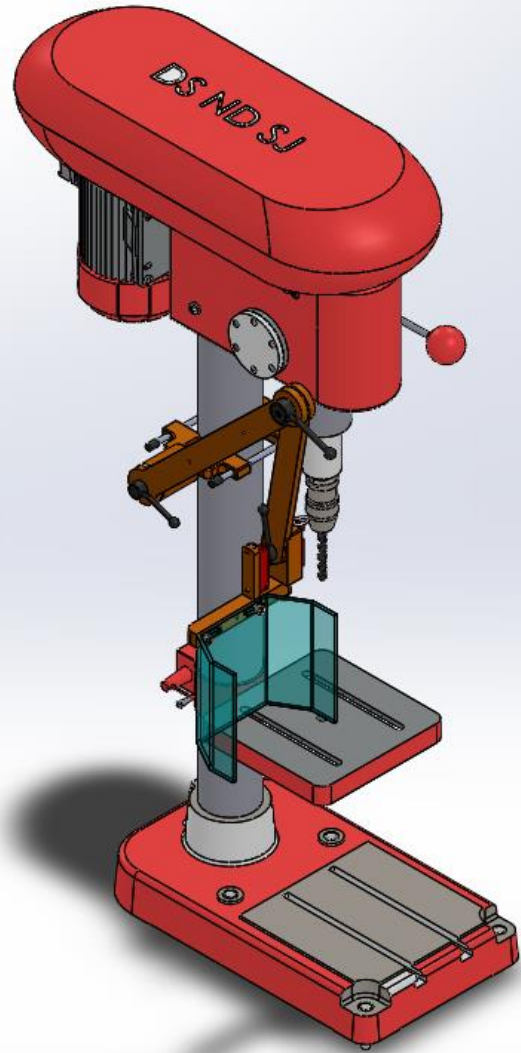


Drill Press Guard, fits up to 12" throat and column diameters from 2.0 - 4.0"

Part # DPG-1



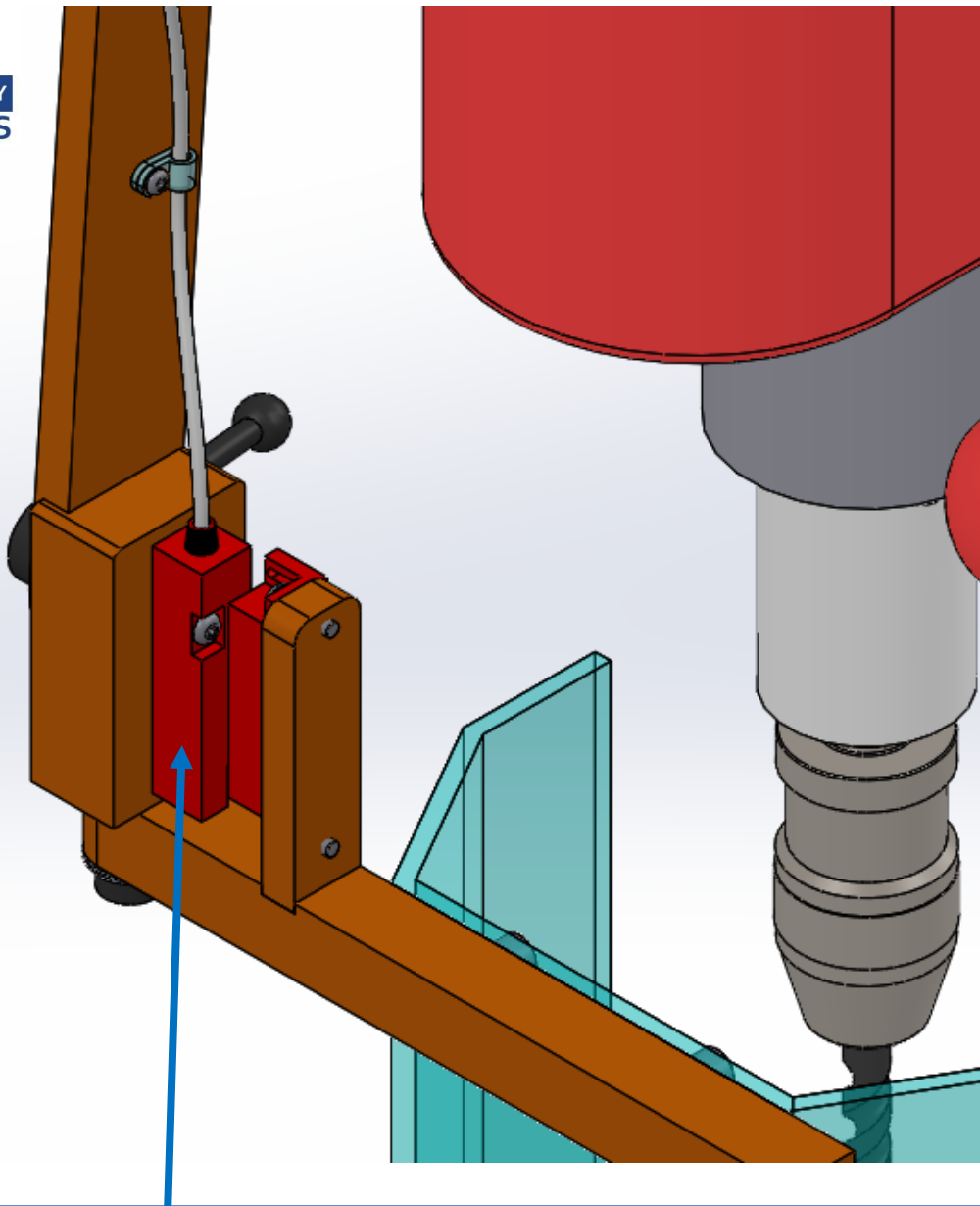




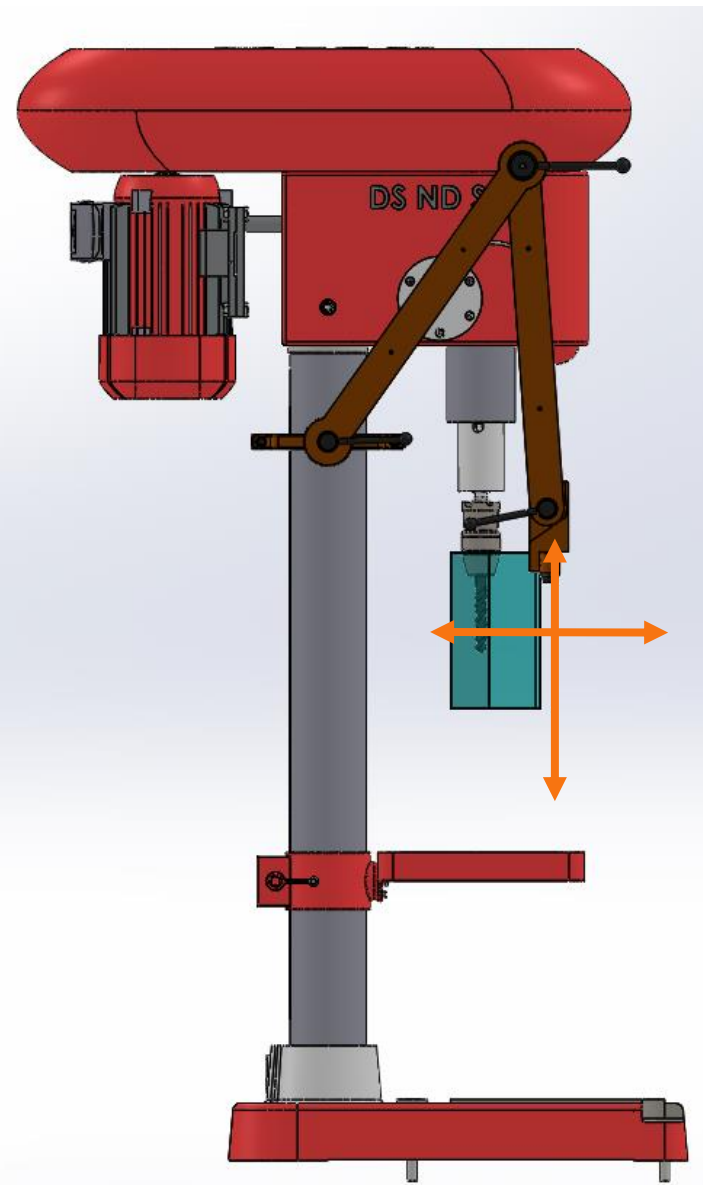
Standard model, no interlock, Part # DPG-1



Interlocked Model, Part # DPG-1-SK1

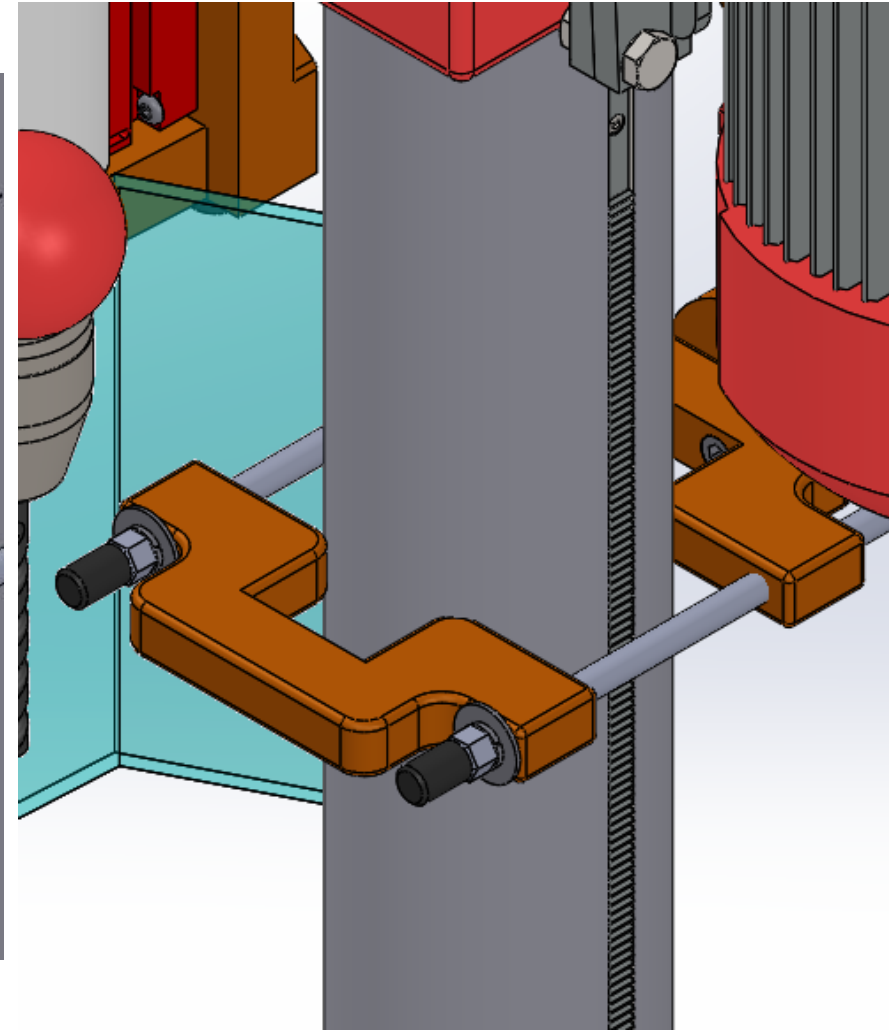
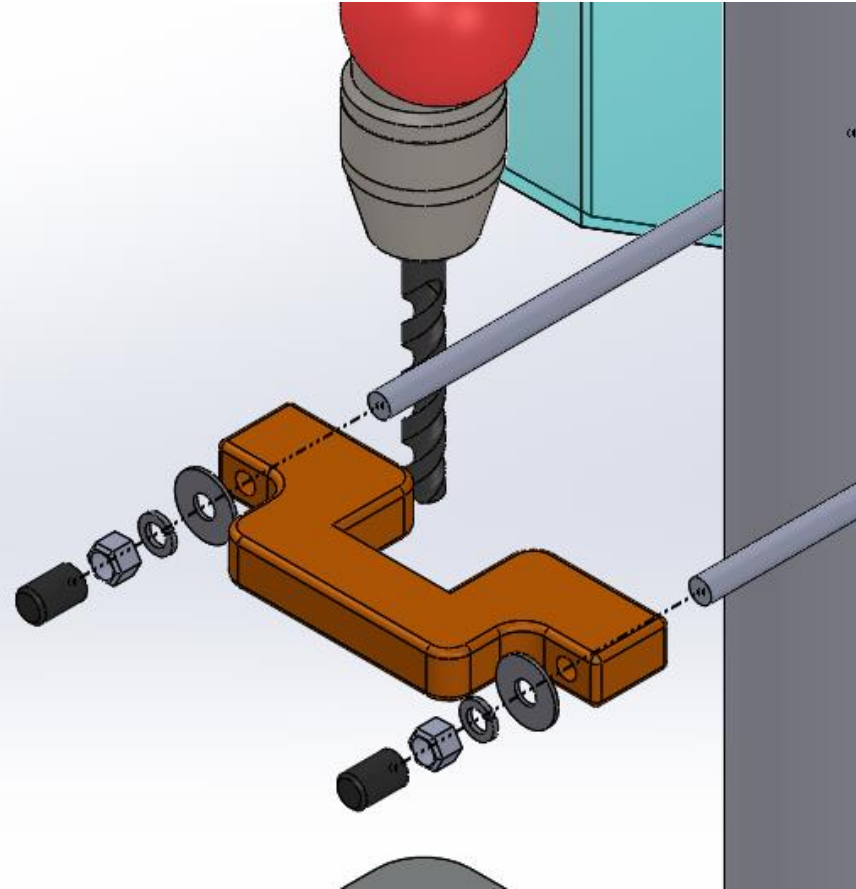
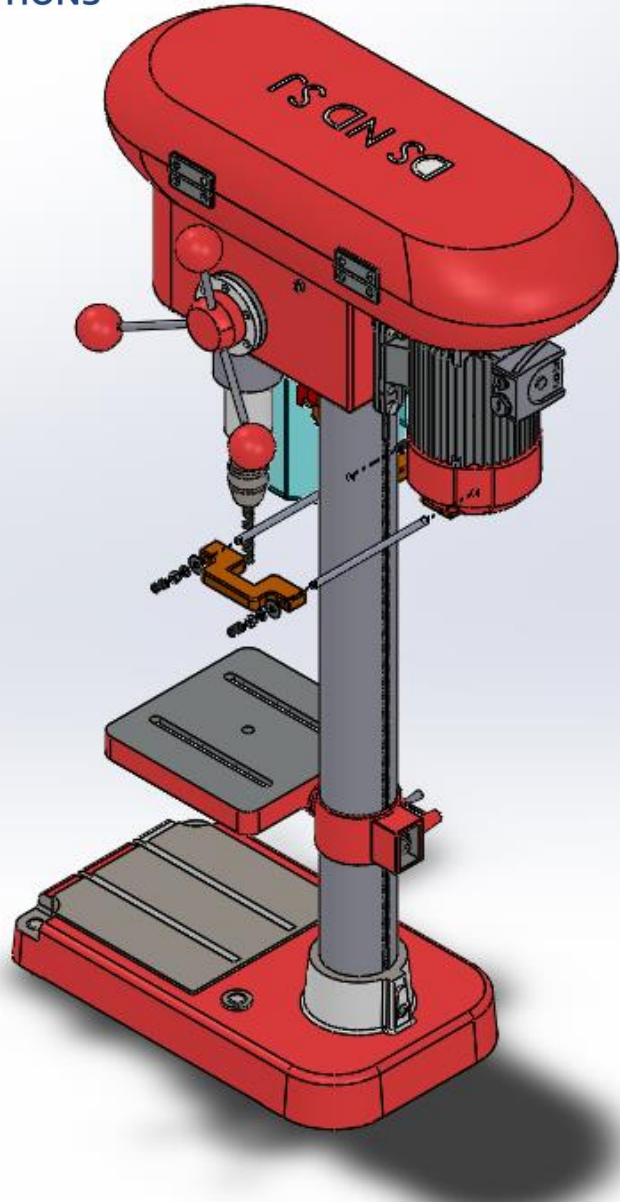


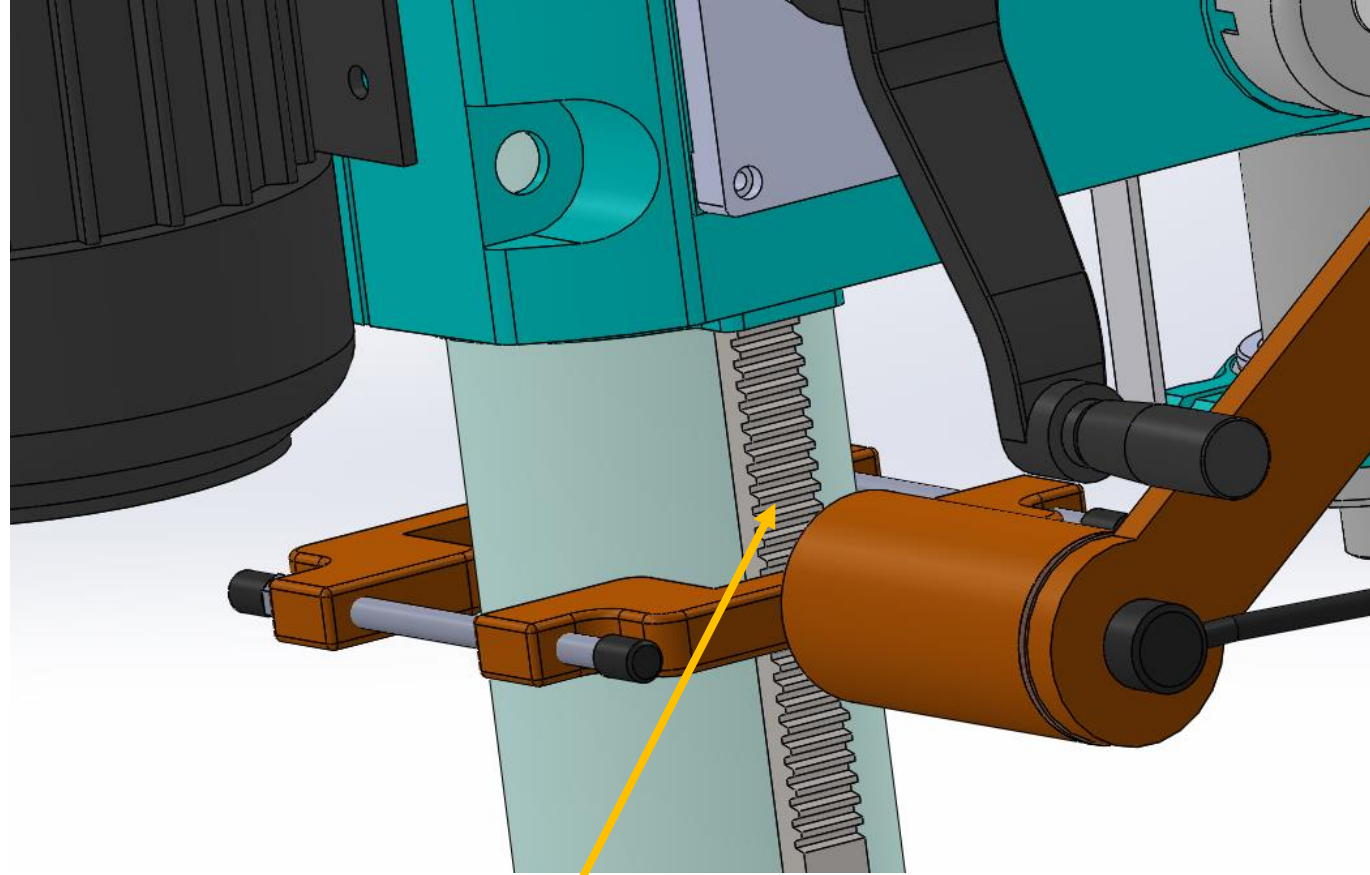
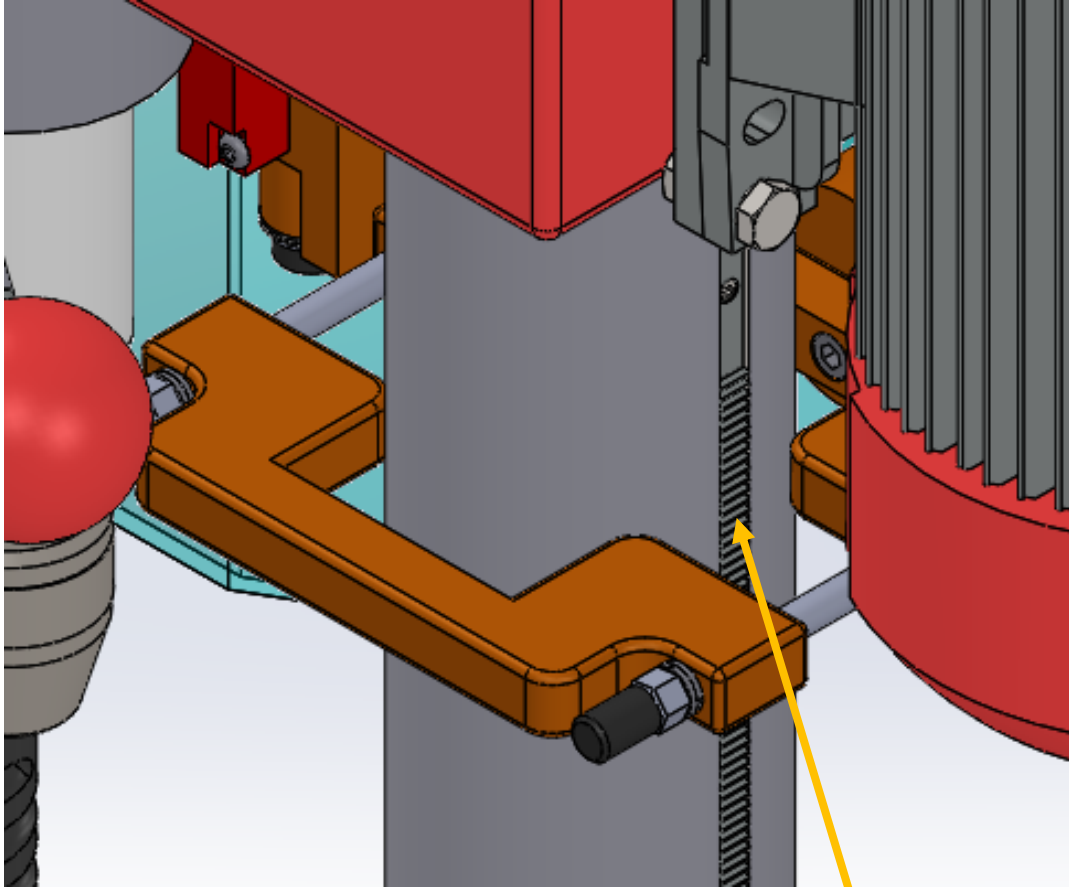
Optional safety switch / interlock.
Non-contact Magnetic safety switch.



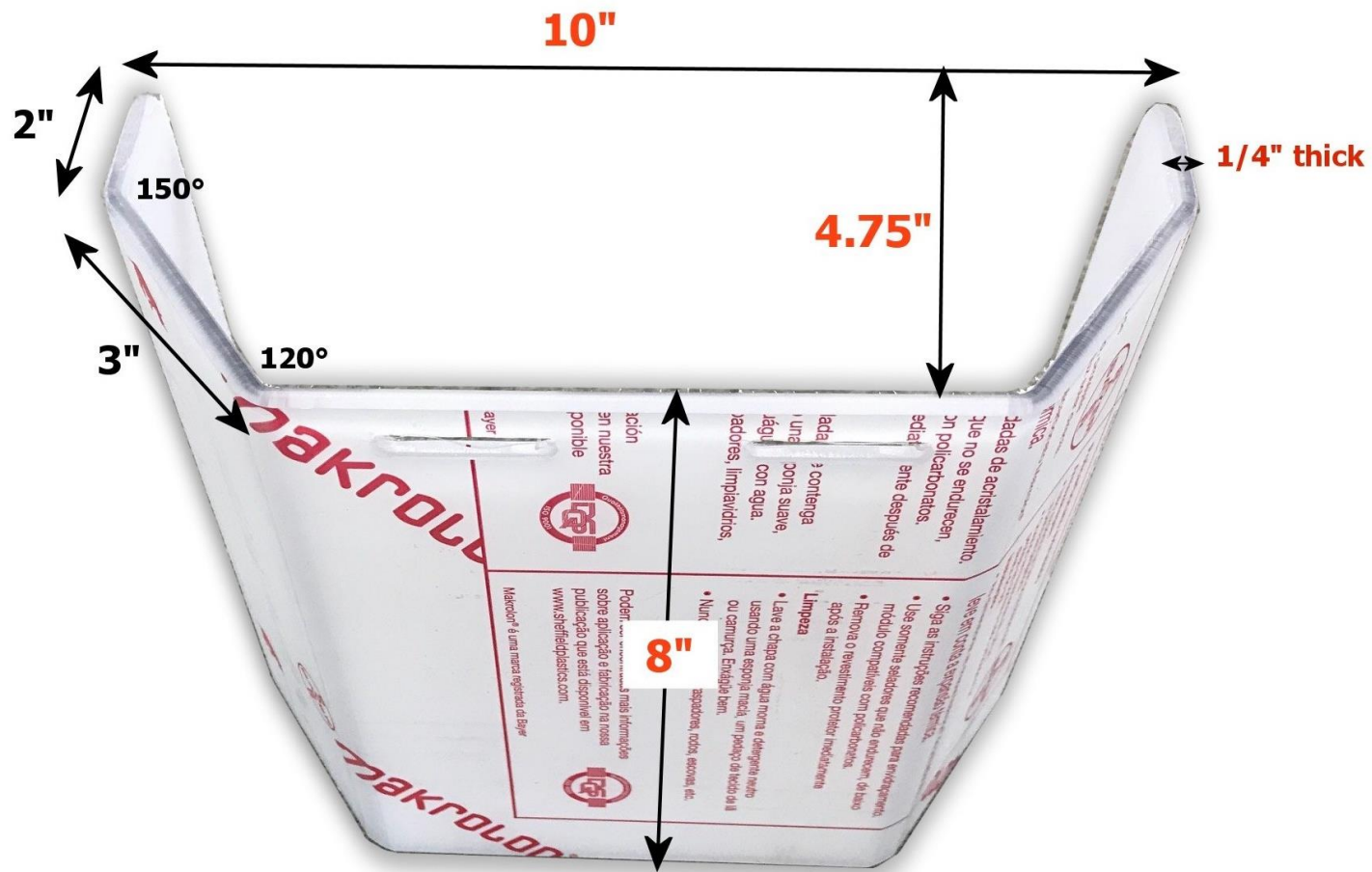
Loosen all 3 steel handles and the articulating arms
allow you to position the shield where needed.

Bolt-on installation. Installs in minutes. The billet aluminum two piece clamp fits column diameters up to 4.0”.





Designed to clear the gear rack and still allow table adjustment.



This is the 1/4" thick lexan shield that comes standard with it.