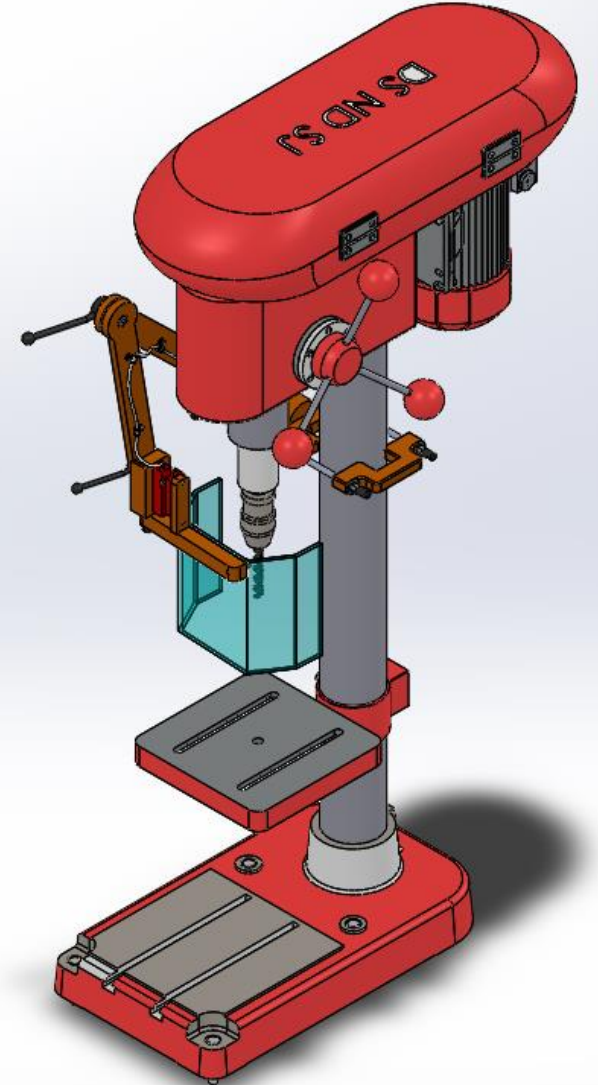
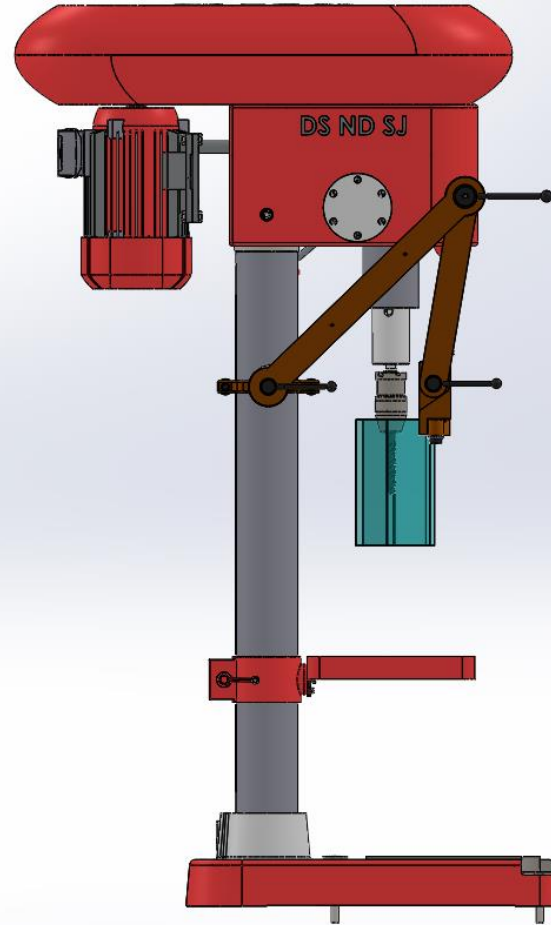
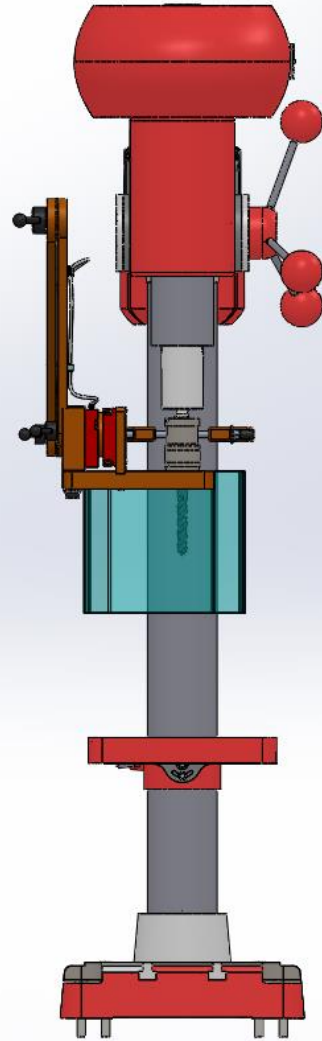
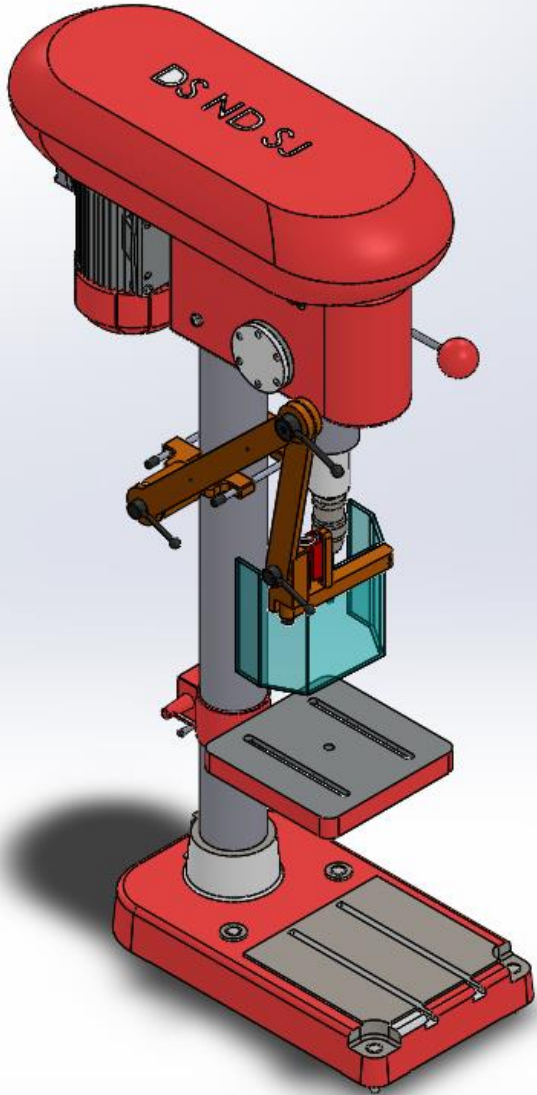
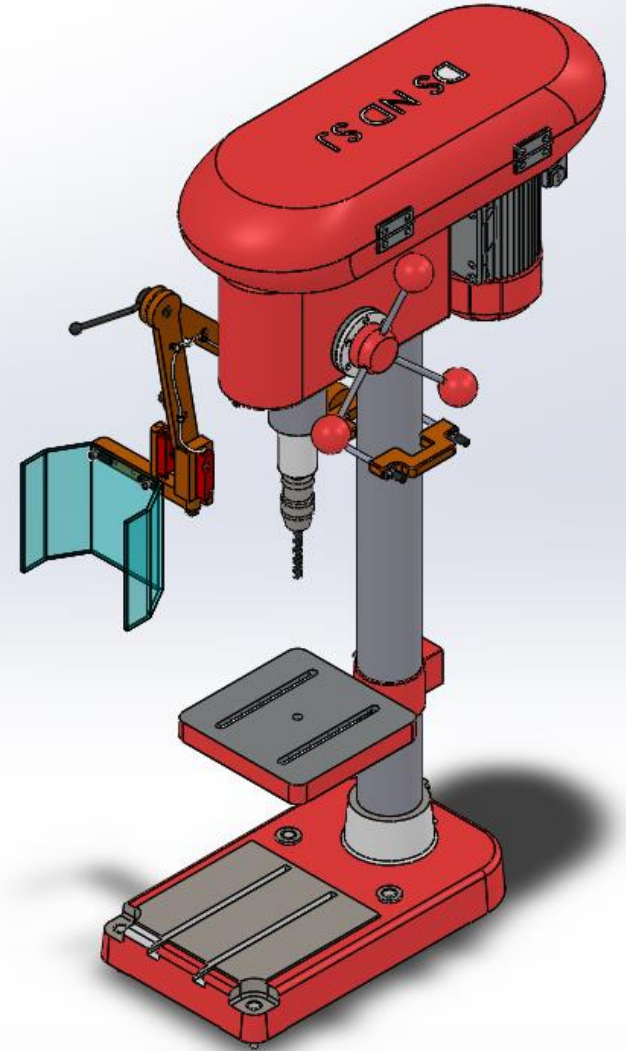
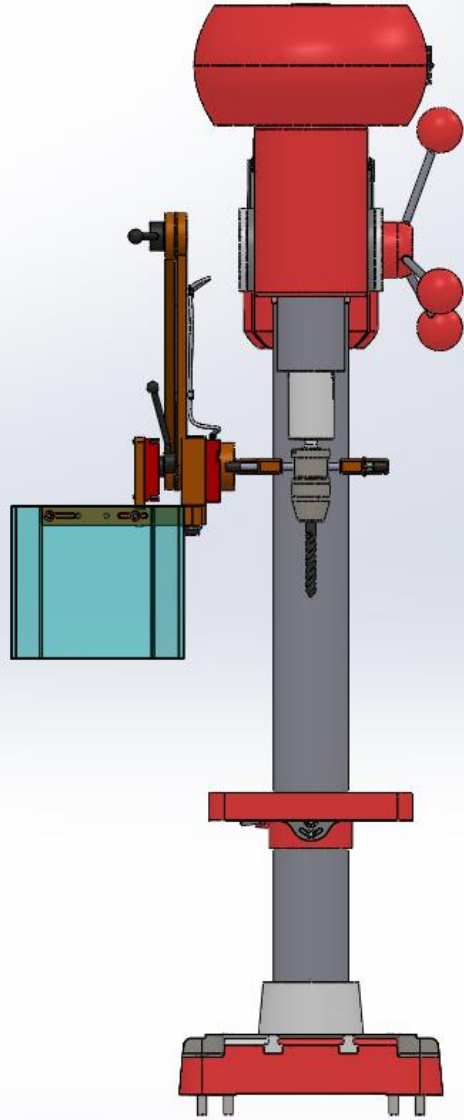
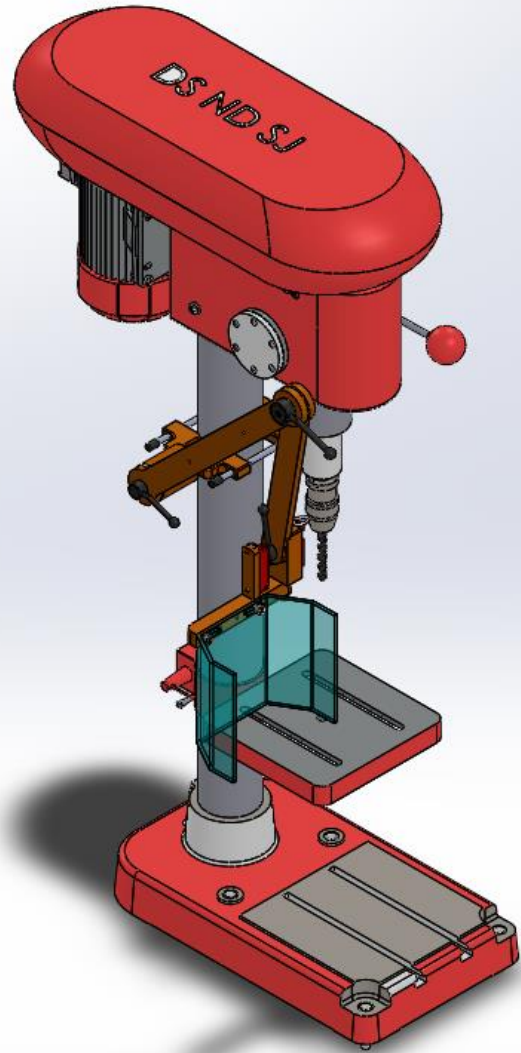
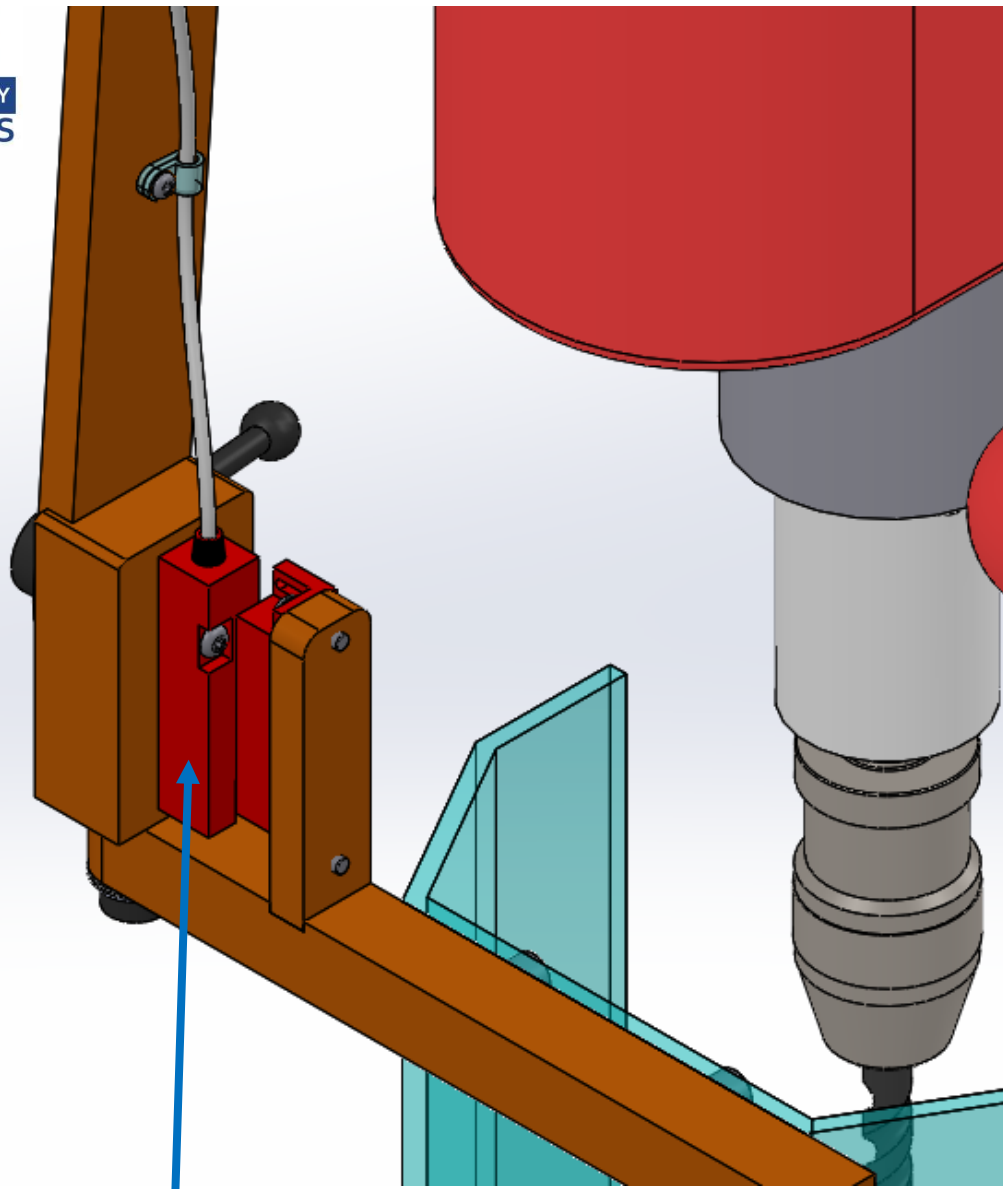


Drill Press Guard, 12" throat, 4.0" column max.

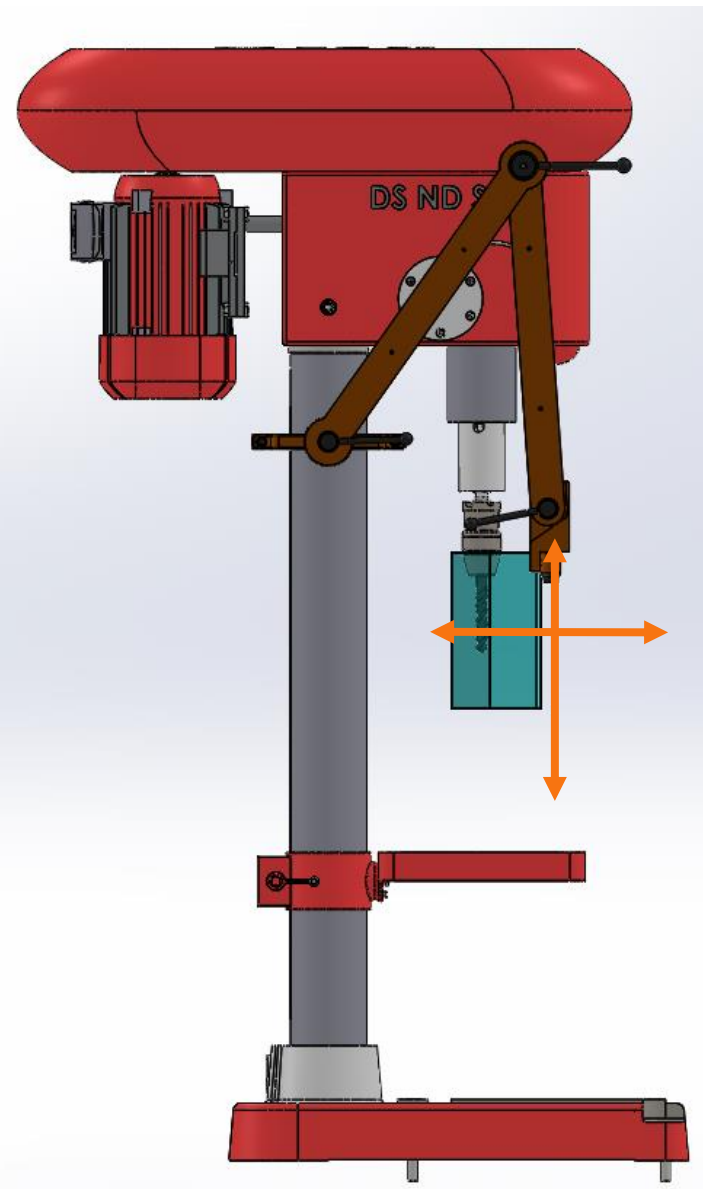
Part # DPG-1





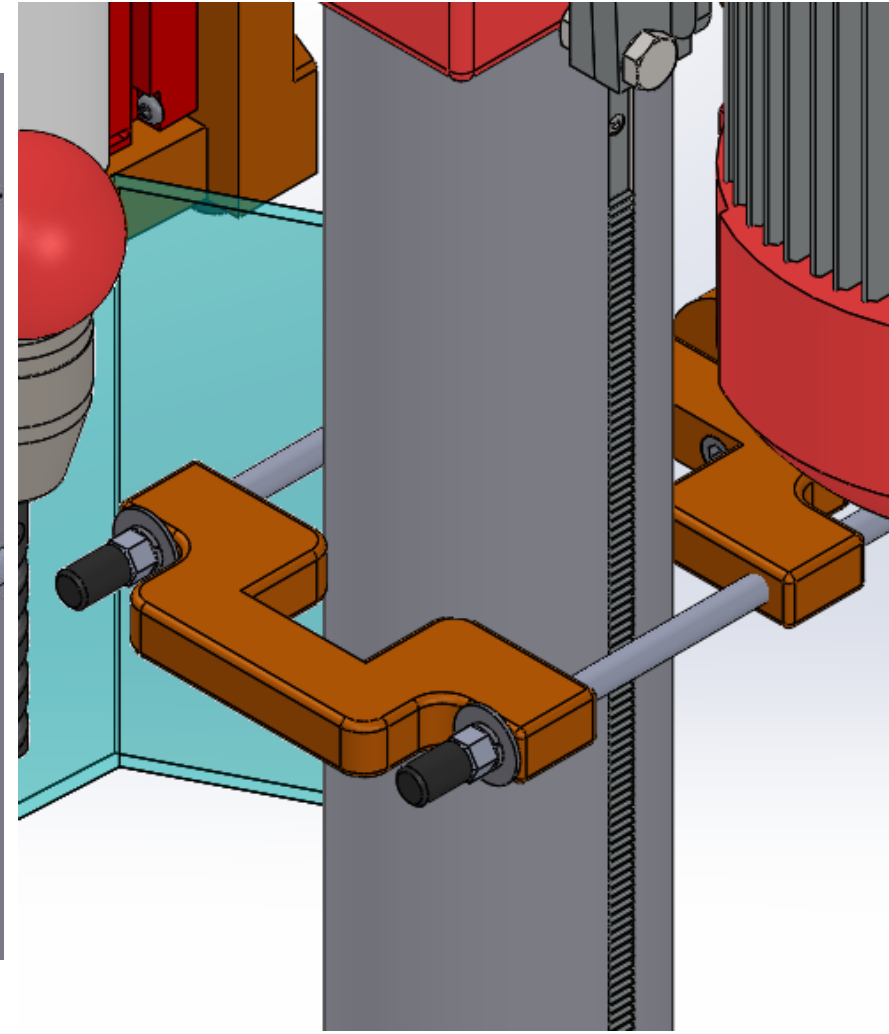
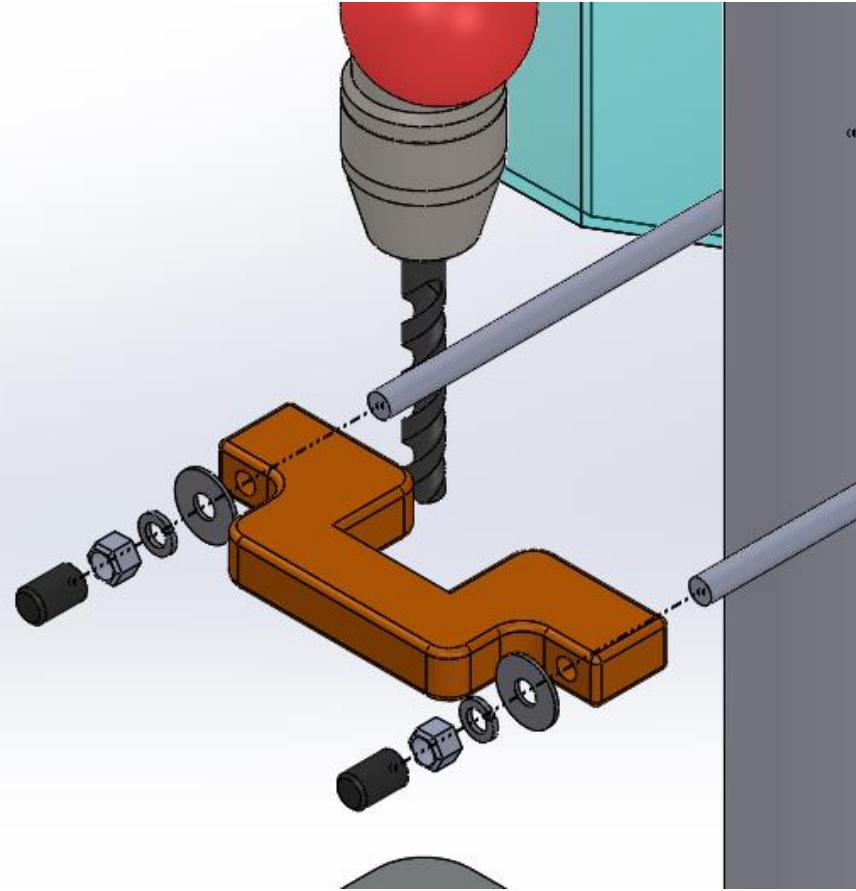
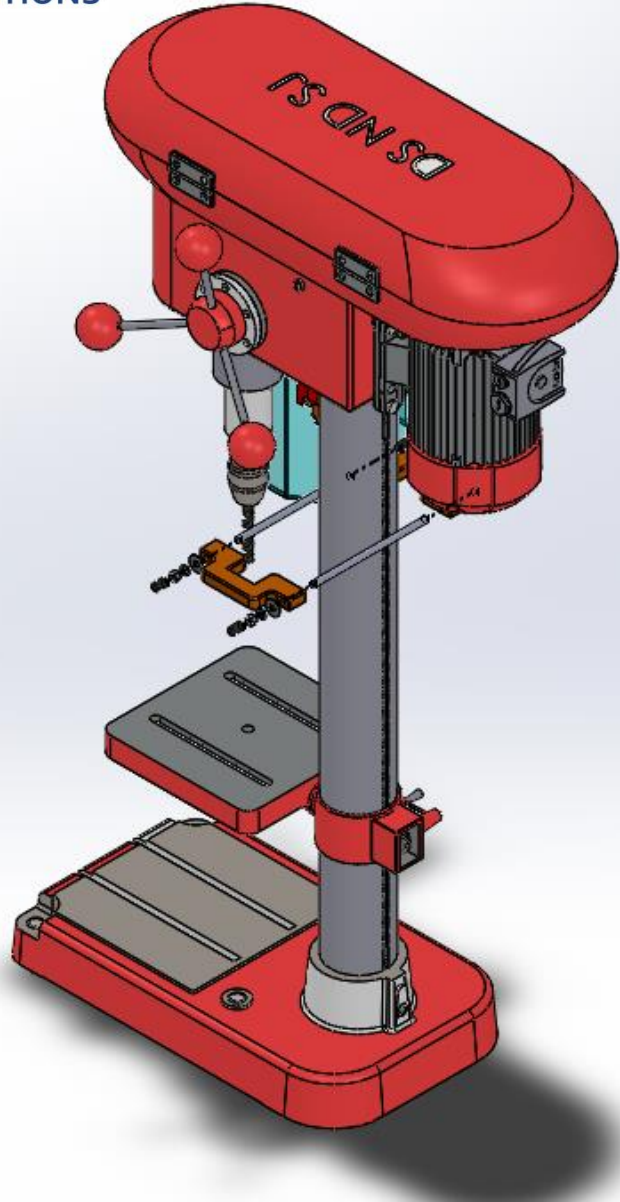


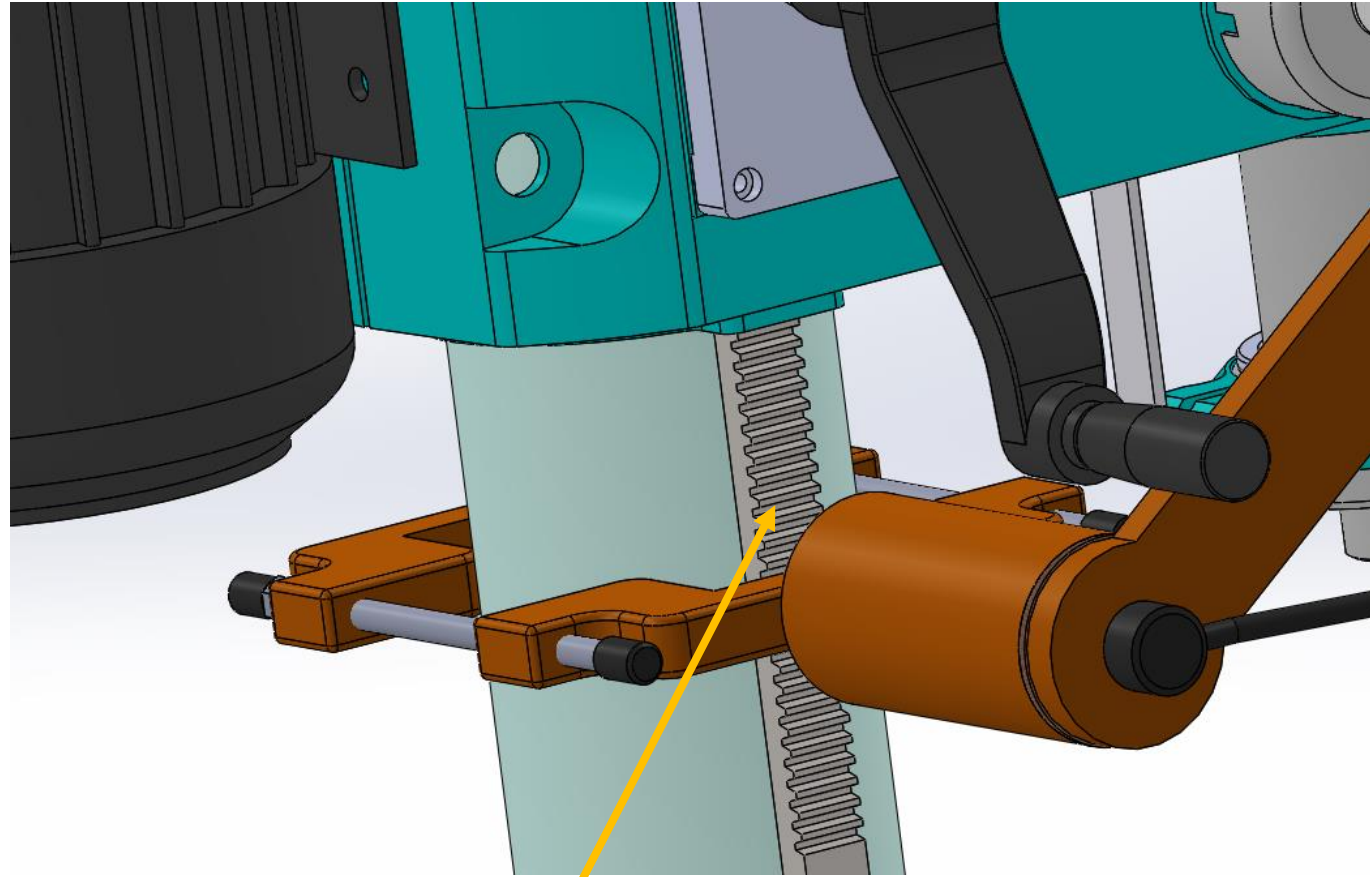
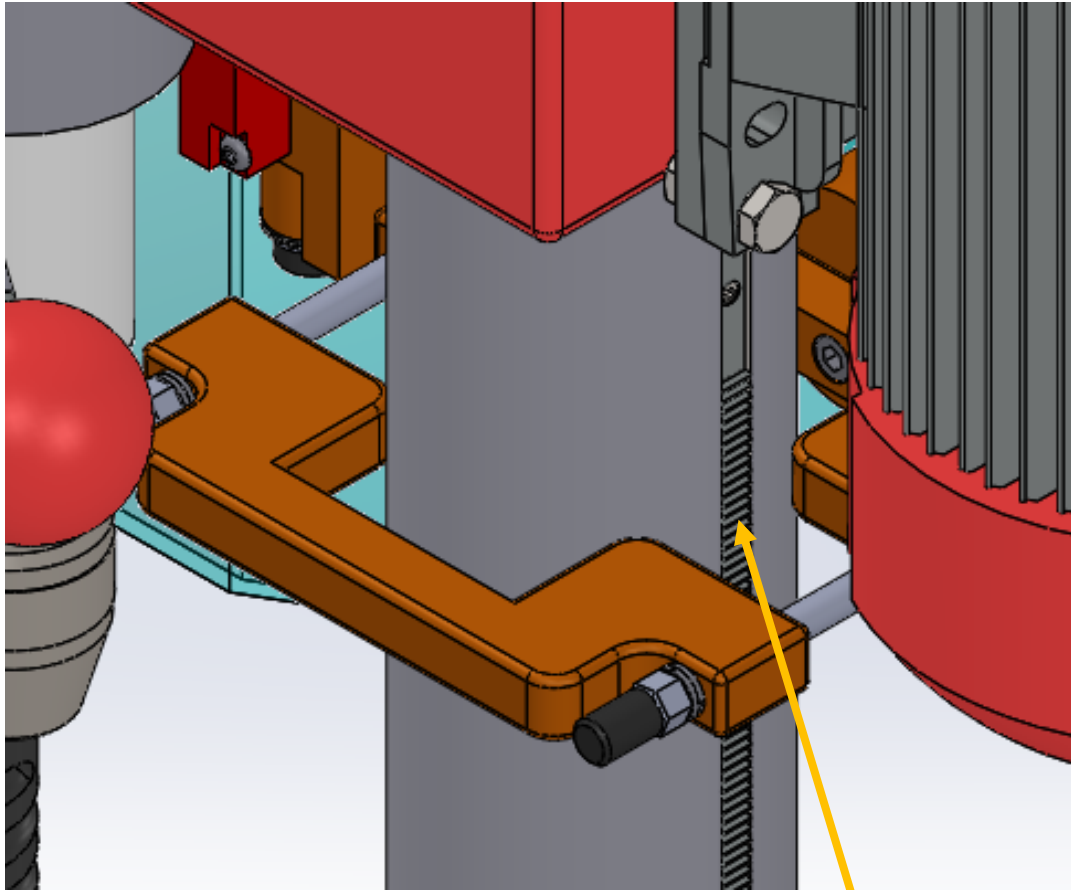
Optional safety switch / interlock.
Coded magnetic safety switch.



Loosen all 3 steel handles and the articulating arms
allow you to position the shield where needed.

Bolt-on installation. Installs in minutes. The billet aluminum two piece clamp fits column diameters up to 4.0”.





Designed to clear the gear rack and still allow table adjustment.