

Hinged Lathe Chuck Guard, 8" Wide

- Fits 8 – 12" diameter lathe chucks and on up to some 16" chucks
- 11 ga mild steel, powder coated, ¼" thick lexan



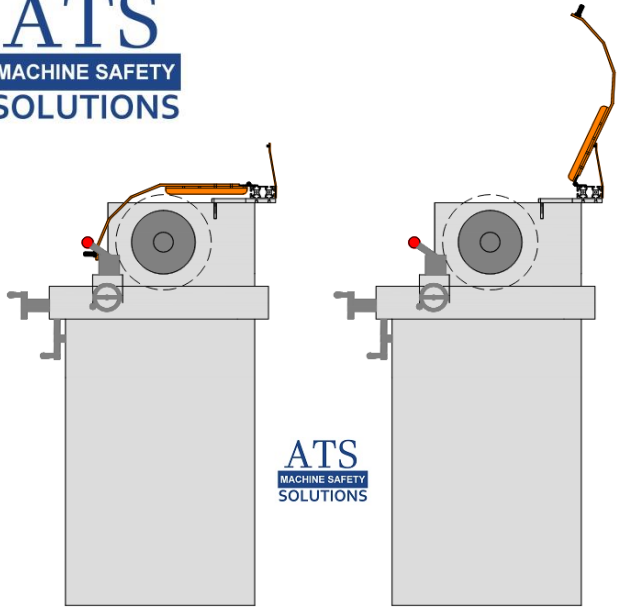
Optional vertical mount bracket available.

Part # CC816 (Standard)

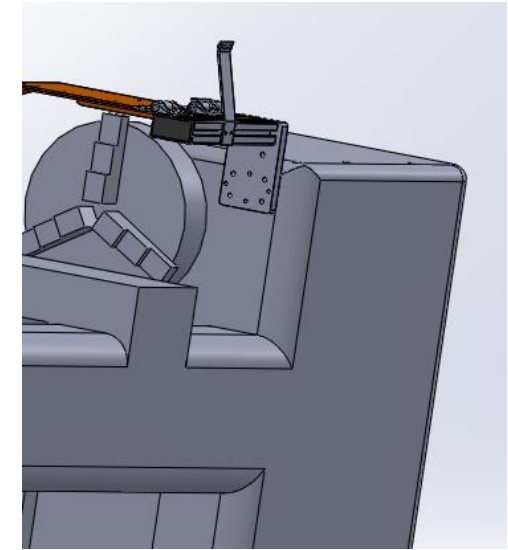


Part # CC816-S (Interlocked)





Standard Horizontal Mounting Rail & Slotted Brackets Included. You only need to source longer gearbox bolts to install.



Optional Mount bracket requires drilling/tapping into the vertical face of headstock as shown. This is for lathes where the horizontal rail cannot be used.

