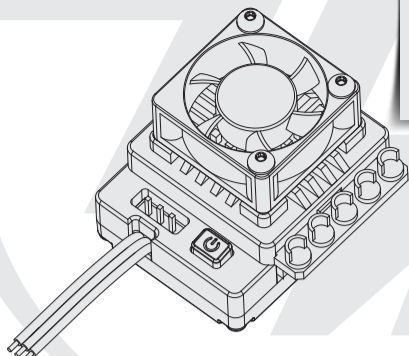


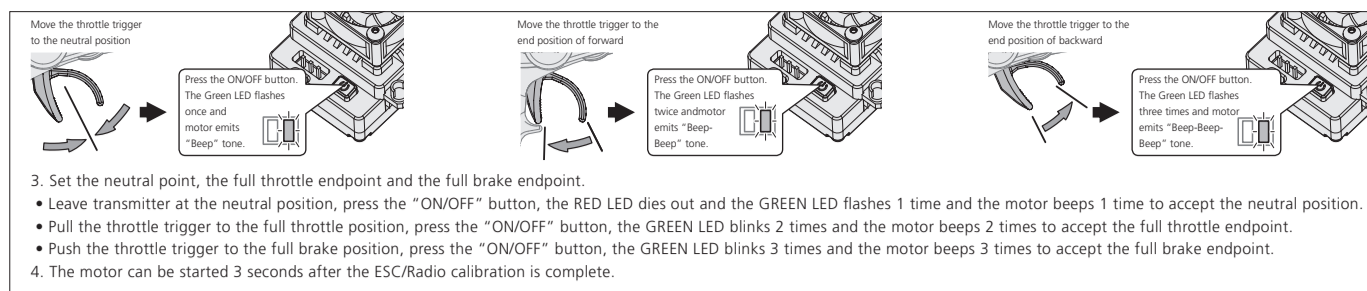
01 Introduction

XERUN USER MANUAL

Brushless Electronic Speed Controller
XERUN XR10 STOCK SPEC



Congratulations and thank you for your trust in Hobbywing product. By purchasing the XERUN XR10 STOCK SPEC, you have chosen a high performance sensored brushless electronic speed controller! This speed controller is equipped with high-tech features to enhance your experience with Hobbywing brushless power systems. Improper usage and unauthorized modification to our product is extremely dangerous and may damage the product and related devices. Please take your time and read the following instructions carefully before you start using your speed control. We have the right to modify our product design, appearance, features and usage requirements without notification.



3. Set the neutral point, the full throttle endpoint and the full brake endpoint.
 - Leave transmitter at the neutral position, press the "ON/OFF" button, the RED LED dies out and the GREEN LED flashes 1 time and the motor beeps 1 time to accept the neutral position.
 - Pull the throttle trigger to the full throttle position, press the "ON/OFF" button, the GREEN LED blinks 2 times and the motor beeps 2 times to accept the full throttle endpoint.
 - Push the throttle trigger to the full brake position, press the "ON/OFF" button, the GREEN LED blinks 3 times and the motor beeps 3 times to accept the full brake endpoint.
4. The motor can be started 3 seconds after the ESC/Radio calibration is complete.

02 Warnings

- To avoid short circuits, ensure that all wires and connections must be well insulated before connecting the ESC to related devices.
- Ensure all devices are well connected to prevent poor connections and avoid damages to your electronic devices.
- Read through the manuals of all power devices and chassis and ensure the power configuration is rational before using this unit.
- Please use a soldering iron with the power of at least 50W to solder all input/output wires and connectors.
- Do not hold the vehicle in the air and rev it up to full throttle, as rubber tires can "expand" to extreme size or even crack to cause serious injury.
- Stop immediate usage once the casing of the ESC exceeds 90°C/194°F as this may cause damages to both the ESC and motor. Hobbywing recommends setting the "ESC Thermal Protection" to 105°C/221°F (this refers to the internal temperature of the ESC).
- Users must always disconnect the batteries after use as the current on the ESC is consuming continuously if it is connected to the batteries (even if the ESC is turned off). The battery will completely be discharged and may result in damage to the battery or ESC when it is connected for a long period of time. This WILL NOT be covered under warranty.

03 Features

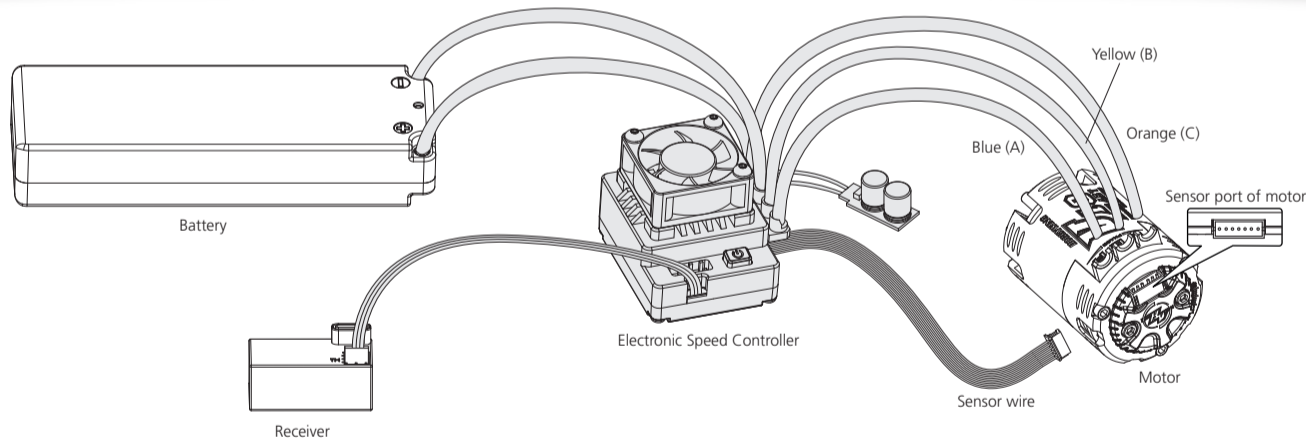
- 5 select-to-sue profiles including zero-timing/blinky mode, stock mode particularly applicable to the Stock class of 1/10th touring car and buggy racing.
- Innovative double-switch design (a built-in electronic switch & an external detachable switch), the external switch is really handy when the car shell is installed on and the internal switch is no longer touchable.
- Built-in switch mode BEC with a maximum output of 6A and voltage adjustable between 6V and 7.4V for usage with high voltage servos.
- Small size makes the installation convenient, light weight of 28g (w/o wires) provides more weight margin when adjusting the balance of the chassis.
- Separate PRG/FAN port is able to power an external fan for maximize cooling performance or connect a LCD program box or WiFi module to the ESC.
- With the New WiFi express module from Hobbywing, users are able to program parameters, upgrade firmware and check relevant data during the event using either the Iphone or Android devices.
- New brakes and throttle functions: 100 levels of brag brake, 50 levels of initial brake force, 9 levels of maximum brake force, 20 levels of brake rate, and 30 levels of throttle rate.
- Adjustable brake mode, PWM and brake frequencies and for different competitions and control feel.
- Adjustable Turbo Timing & Boost Timing for different applications.
- Softening function (HOBBYWING-initiated) for milder or wilder driving control and better driving efficiency.
- Multiple protections: low-voltage cutoff protection, ESC and motor thermal protection, and fail safe (throttle signal loss protection).
- Data logging for recording the maximum ESC/motor temperature, motor speed/RPM, and others in real time.
- Firmware upgrade via Hobbywing multifunction LCD program box or WiFi Express (item sold separately).

04 Specifications

Model	XERUN XR10 STOCK SPEC
Cont. / Peak Current	80A / 380A
Motor Type	Sensored / Sensorless Brushless Motors
Applications	Stock Class of 1/10th Touring Car and Buggy Racing
Motor Limit (*Note 1)	Brushless Motor Limit with 2S LiPo/6S NiMH: (Touring Car) T >= 10.5T, (Buggy) T >= 13.5T
LiPo / NiMH Cells	2S LiPo / 6S NiMH (Only)
BEC Output	6V/7.4V Switchable, Continuous Current of 3A (Switch-mode)
Cooling Fan	Powered by the stable BEC voltage of 6V/7.4V
Connectors	Input End: No Connectors; Output End: No Connectors
Size/Weight	37.5x31.5x30.2x16.1mm (w/Fan&Fan Shroud) / 54.5g (w/ wires)
Programming Port	PRG/FAN Port (*powered by the built-in BEC)

Note 1: The recommended T counts are only applicable with the standard 3650/540 size (3 slot 2 pole) motors when ESCs are in blinky mode.

05 Connections



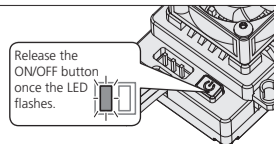
Warning: This is an extremely powerful brushless motor system. For your safety and the safety of those around you, we strongly recommend removing the pinion gear attached to the motor before performing calibration and programming functions with this system. It is also advisable to keep the wheels in the air when you turn on the ESC.

- 1. Motor Wiring**
The motor wiring is different between the sensored and the sensorless; please only follow the introductions below.
 - **Sensored Motor Wiring**
There is strict wiring order from the ESC to the motor, the three A/B/C ESC wires must connect to the three A/B/C motor wires correspondingly. Next, connect the ESC sensor port and the motor sensor port with the stock 6-pin sensor cable. If you don't plug the sensor cable in, your ESC will still work in sensorless mode even if you're using a sensored motor.
 - **Sensorless Motor Wiring**
Users do not need to be worried in regards to the connectivity with the A/B/C(ESC and motor) as there is no polarity. You may find it necessary to swap two wires if the motor runs in reverse.
- 2. Receiver Wiring**
The throttle control cable on the ESC has to be plugged into the throttle (TH) channel on the receiver. The throttle control cable has a output voltage of 6V/7.4V to the receiver and steering servo, hence, no separate battery can be connected to the receiver. Otherwise, your ESC may be damaged.
- 3. External switch Connecting (Optional):**
A detachable switch (stock accessory) is included in the product box. You only need to plug this switch into the 3-pin port marked with "SW" when you want to use external switch (instead of the built-in electronic switch).
- 3. Battery Wiring**
Proper polarity is essential. Please ensure positive (+) connects to positive (+), and negative (-) connects to negative (-) when plugging in the battery! When reverse polarity is applied to the ESC from the battery, it WILL damage the ESC. This WILL NOT be covered under warranty!

06 ESC Setup

1 ESC/Radio Calibration

Begin using your ESC by calibrating with your transmitter. We strongly recommend Hobbywing users to use the "Fail Safe" function on the radio system and set (FS) to "Output OFF" or "Neutral Position". Example of calibrating Neutral range and Endpoint. (*The operation is same when you're using the external switch.)



1. Turn on the transmitter, ensure all parameters (D/R, Curve, ATL) on the throttle channel are at default (100%). For transmitter without LCD, please turn the knob to the maximum, and the throttle "TRIM" to 0. Please also turn the corresponding knob to the neutral position. For FutabaTM transmitter, the direction of throttle channel shall be set to "REV", while other radio systems shall be set to "NOR". Please ensure the "ABS/braking function" of your transmitter must be DISABLED.
2. Start by turning on the transmitter with the ESC turned off but connected to a battery. Holding the "ON/OFF" button, the RED LED on the ESC starts to flash (Note 2: the motor beeps at the same time), and then release the ON/OFF button immediately.

Note 2: Beeps from the motor may be low sometimes, and you can check the LED status instead.

2 Power On/Off

Attention! The temperature of its aluminum housing may be very high when there is heavy load. For precaution, we recommend users to have a fan blown towards the ESC.
(Start with the ESC turned off), press the ON/OFF button to turn on the ESC (the indication LED comes on); and press the ON/OFF button again to turn off the ESC (the indication LED dies out).
Note 3: Do not turn off the ESC when the motor is spinning. The sudden stoppage may result in unwanted damages to both the motor and ESC. If there is an emergency, battery plugs can be pulled out to switch the ESC off.

3 Programmable Items

Section	Item	Programmable Items	Parameter Values																
General Setting	1A	Running Mode	Forward with Brake	Forward/ Reverse with Brake	Forward and Reverse														
	1B	Max. Reverse Force	25%	50%	75%	100%													
	1C	Cutoff Voltage	Disabled	Auto	3.0-8.0V Adjustable (Step:0.1V)														
	1D	ESC Thermal Protection	105°C/221°F	125°C/257°F	Disabled														
	1E	Motor Thermal Protection	105°C/221°F	125°C/257°F	Disabled														
	1F	BEC Voltage	6.0V	7.4V															
	1G	Remote Off	Enabled	Disabled															
	1H	Sensor Mode	Full Sensored																
	Throttle Control	2A	Throttle Rate Control	1-30 Adjustable (Step: 1)															
2B		Throttle Curve	Linear	Customized															
2C		Neutral Range	4%	6%	8%														
2D		Coast	0%-20% Adjustable (Step: 1%)																
2E		PWM Drive Frequency	1K	2K	4K	8K	12K	16K											
2F		Softening Value	0-25° Adjustable (Step: 1°)																
2G		Softening Range	0%	10%	20%	25%	30%	35%	40%	45%	50%								
Brake Control	3A	Drag Brake	0%-100% Adjustable (Step: 1%)																
	3B	Max. Brake Force	0%	12.5%	25%	37.5%	50%	62.5%	75%	87.5%	100%								
	3C	Initial Brake Force	=Drag brake	0%-50% Adjustable (Step: 1%)															
	3D	Brake Rate Control	1-20 Adjustable (Step: 1)																
	3E	Brake Curve	Linear	Customized															
	3F	Brake Frequency	0.5K	1K	2K	4K													
	3G	Brake Control	Linear	Traditional	Hybrid														
Timing	4A	Boost Timing	0-64° Adjustable (Step: 1°)																
	4B	Boost Timing Activation	RPM	Auto															
	4C	Boost Start RPM	500-35000 RPM Adjustable (Step: 500RPM)																
	4D	Boost End RPM	3000-60000 RPM Adjustable (Step: 500RPM)																
	5A	Turbo Timing	0-64° Adjustable (Step: 1°)																
	5B	Turbo Delay (sec)	Instant	0.05	0.1	0.15	0.2	0.25	0.3	0.35	0.4	0.45	0.5	0.6	0.7	0.8	0.9	1.0	
	5C	Turbo Increase Rate (degree/0.1sec)	6	12	18	24	30	Instant											
	5D	Turbo Decrease Rate (degree/0.1sec)	6	12	18	24	30	Instant											

Note 4: Item 4C (Boost Start RPM) & item 4D (Boost End RPM) are not programmable if item 4B (Timing Activation) is set to "Auto".
The PWM Drive Frequency, Brake Frequency, Brake Control, Boost Timing, Turbo Timing and relevant items are not programmable (that's item 2E, 3F, 3G and 8 items from 4A to 5D are not programmable) when Sensor Mode (Item 1H) is set to "Sensored/Sensorless Hybrid". In addition, item 2F & 2G are newly added parameters and they are available only after you upgrade the firmware of your ESC (previously bought) to the latest version.

- 1A. Running Mode**
 - Option 1: Forward with Brake**
Racing mode. It has only forward and brake functions.
 - Option 2: Forward/ Reverse with Brake**
This option is known to be the "training" mode with "Forward/ Reverse with Brake" functions. Hobbywing has adopted the "DOUBLE-CLICK" method, that is your vehicle only brakes on the 1st time you push the throttle trigger forward (brake) (1st push). The motor stops when you quickly release the throttle trigger and then re-push the trigger quickly (2nd push), only then the vehicle will reverse. The reverse function will not work if your car does not come to a complete stop. The vehicle only reverses after the motor stops. This method is for preventing vehicle from being accidentally reversed.
 - Option 3: Forward and Reverse**
This mode is often used by special vehicles (rock crawler). It adopts the "SINGLE-CLICK" method. The vehicle will reverse immediately when you push the throttle trigger forward (brake).
- 1B. Max. Reverse Force**
The reverse force of the value will determine its speed. For the safety of your vehicle, we recommend using a low amount.
- 1C. Cutoff Voltage**
Sets the voltage at which the ESC lowers or removes power to the motor in order to either keep the battery at a safe minimum voltage (for LiPo batteries). The ESC monitors the battery voltage all the time, it will immediately reduce the power to 30% (in 3 seconds) and cut off the output 10 seconds later when the voltage goes below the cutoff threshold. The RED LED will flash a short, single flash that repeats (☆, ☆, ☆) to indicate the low-voltage cutoff protection is activated. Please set the "Cutoff Voltage" to "Disabled" or customize this item if you are using NiMH batteries.
 - Option 1: Disabled**
The ESC does not cut the power off due to low voltage. We do not recommend using this option when you use any LiPo battery as you will irreversibly damage the product. You need to select this option when you are using a NiMH pack.
 - Option 2: Auto**
The ESC calculates the corresponding cutoff voltage as per the number of LiPo cells it detects and the "3.3V/cell" rule. For example, if the ESC detects a 2S, the cutoff voltage for the battery shall be 6.6V.
 - Option 3: Customized**
The customized cutoff threshold is a voltage for the whole battery pack (adjustable from 3.0V to 8.0V). Please calculate the value as per the number of LiPo cells you are using. For example, when you use a 2S and you want the cutoff voltage for each cell is 2.8V, you will need to set this item to 5.6V.
- 1D. ESC Thermal Protection**
The output from the ESC will be cut off with the value you have preset.
The GREEN LED flashes (☆☆, ☆, ☆) when the ESC temperature reaches to the preset value. The output will not resume until the ESC temperature gets down.
Warning! Please do not disable this function unless you're in a competition. Otherwise the high temperature may damage your ESC and even your motor.
- 1E. Motor Thermal Protection**
The GREEN LED flashes (☆☆☆, ☆☆☆, ☆☆☆) when the motor temperature reaches to the preset value. The output will not resume until the motor temperature gets down.
Warning! Please do not disable this function unless you're in a competition. Otherwise the high temperature may damage your motor and even your ESC. For non-Hobby wing motor, the ESC may get this protection activated too early/late because of the different temperature sensor inside the motor. In this case, please disable this function and monitor the motor temperature manually.
- 1F. BEC Voltage**
 - Option 1: 6.0V**
It's applicable to ordinary servos. Do not use this option with high voltage servos; otherwise your servos may not function normally due to insufficient voltage.
 - Option 2: 7.4V**
It's applicable to high voltage servos. Do not use this option with ordinary servos; otherwise your servos may be burnt due to high voltage.
- 1G. Remote Off**
 - Option 1: Enabled**
Users can simply push and hold the brake trigger for 6 seconds. This option allows the user to turn off the ESC without pushing the ON/OFF button switch.
 - Option 2: Disabled**
Users must turn off the ESC by pressing the ON/OFF switch button from the ESC.
- 1H. Sensor Mode**
Full Sensored
The power system will work in the "sensored" mode at all times. The efficiency and drivability of this mode is at the highest.
- 2A. Throttle Rate Control**
This item is used to control the throttle response. It can be adjustable from 1 to 30 (step: 1), the lower the throttle rate, the more the limit will be on the throttle response. A suitable rate can help driver to control his vehicle properly at the starting-up process. Generally, you can set it to a high value to have a quick throttle response if you are proficient at throttle control.
- 2B. Throttle Curve**
The throttle curve parameter reconciles the position of the throttle trigger (in throttle zone) and the actual ESC throttle output. It is linear by default and we can change it to non-linear via adjusting the throttle curve. For example, if adjust it to +EXP, the throttle output at the early stage will be higher (than the output when the curve is linear); if it is adjusted to -EXP, the throttle output at the early stage will be lower (than the output when the curve is linear) and will not be as smooth.
- 2C. Neutral Range**
As not all transmitters have the same stability at "neutral position", please adjust this parameter as per your preference. You can adjust to a bigger value when this happens.

