

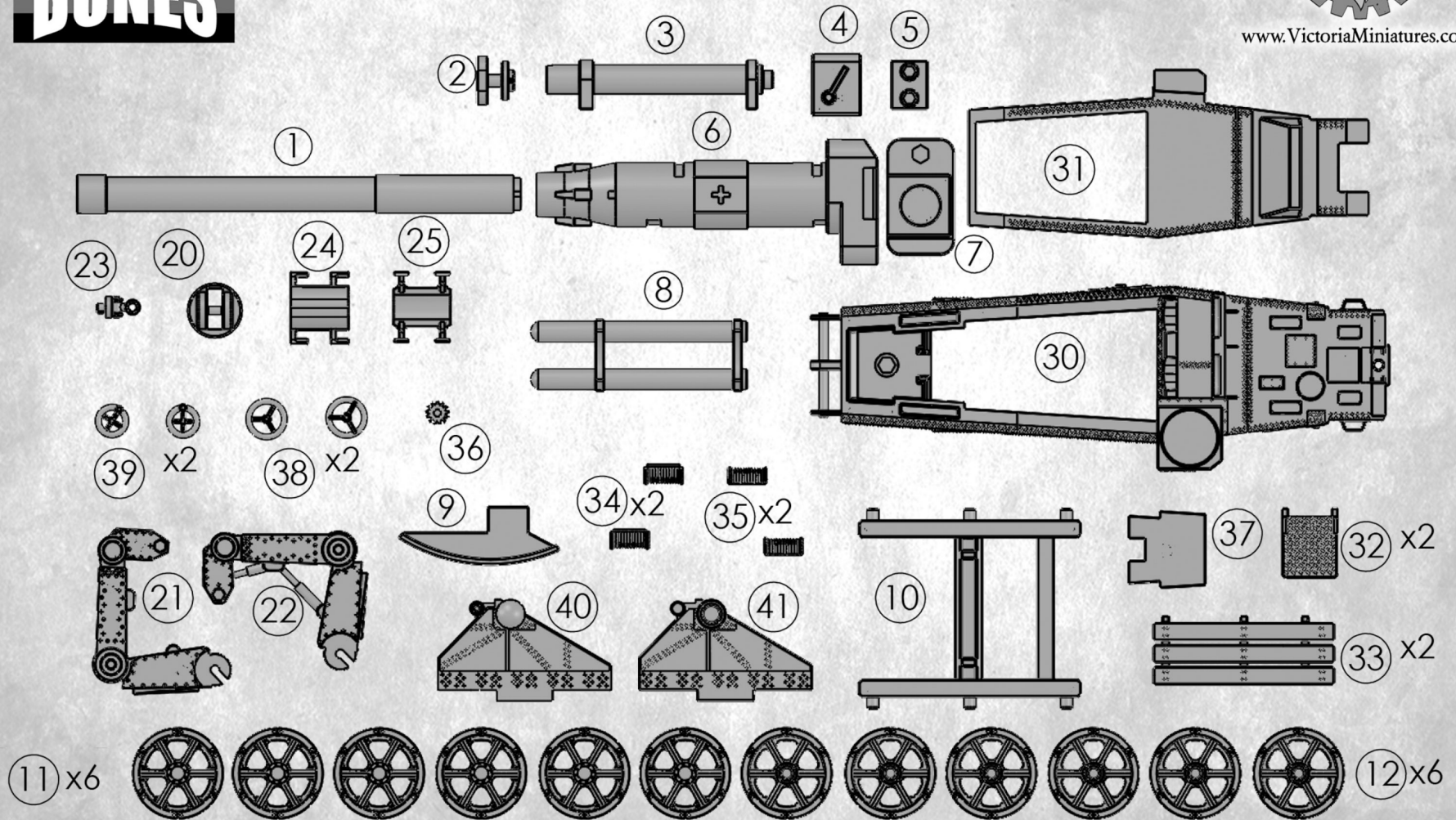


# SLEDGEHAMMER BFG

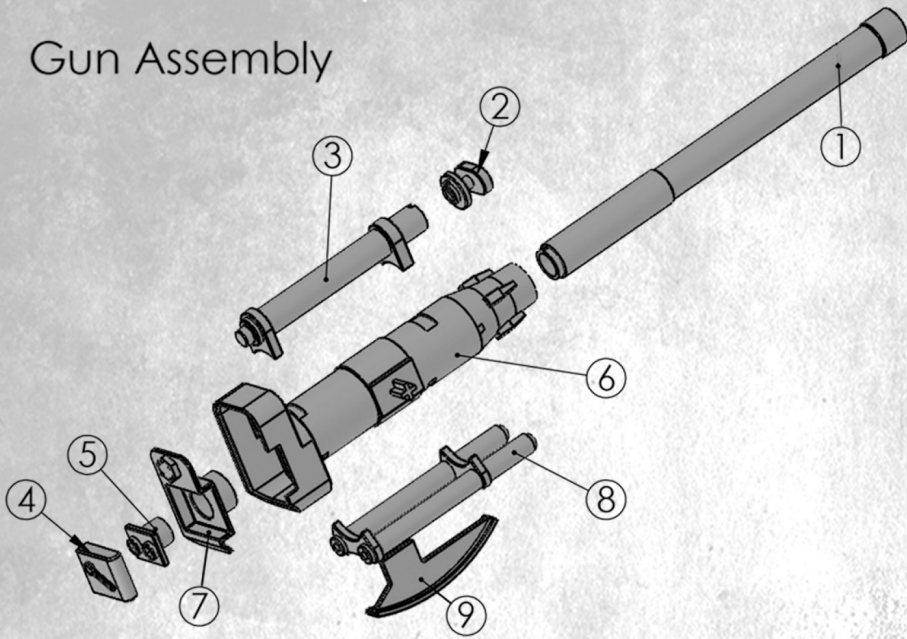
## ASSEMBLY INSTRUCTIONS



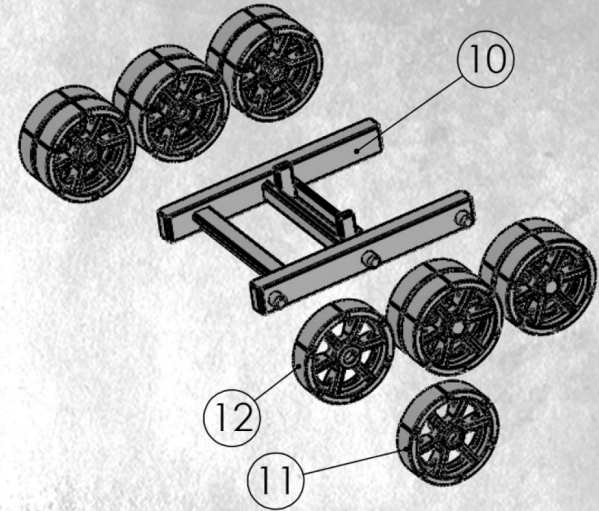
www.VictoriaMiniatures.com



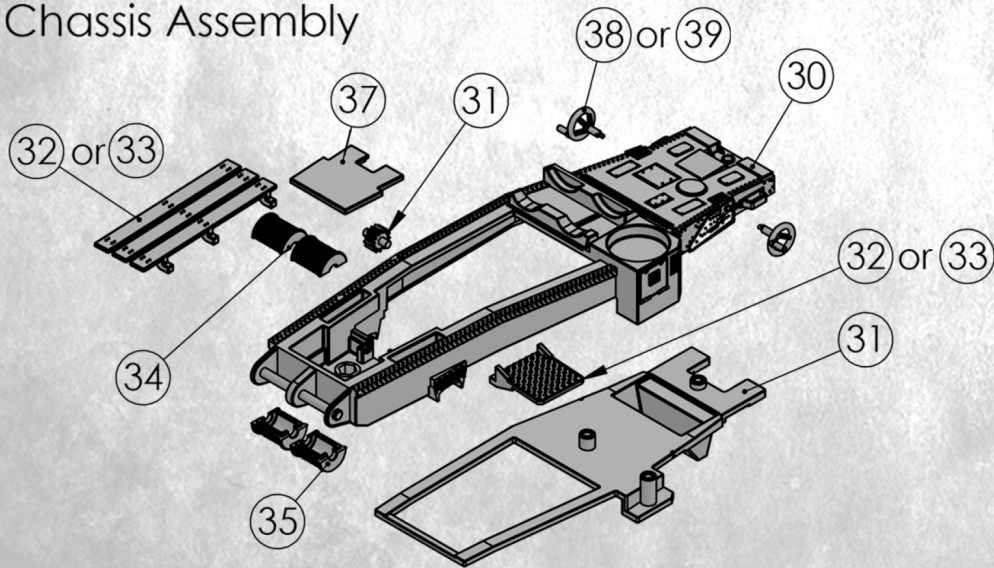
## Gun Assembly



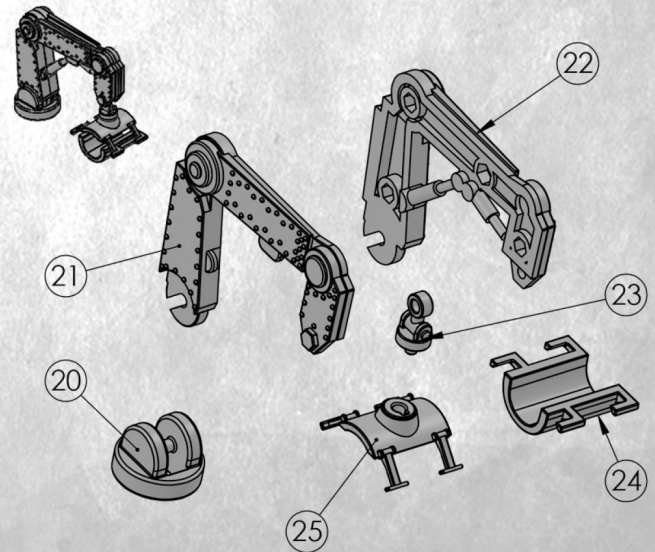
## Wheel Assembly



## Chassis Assembly



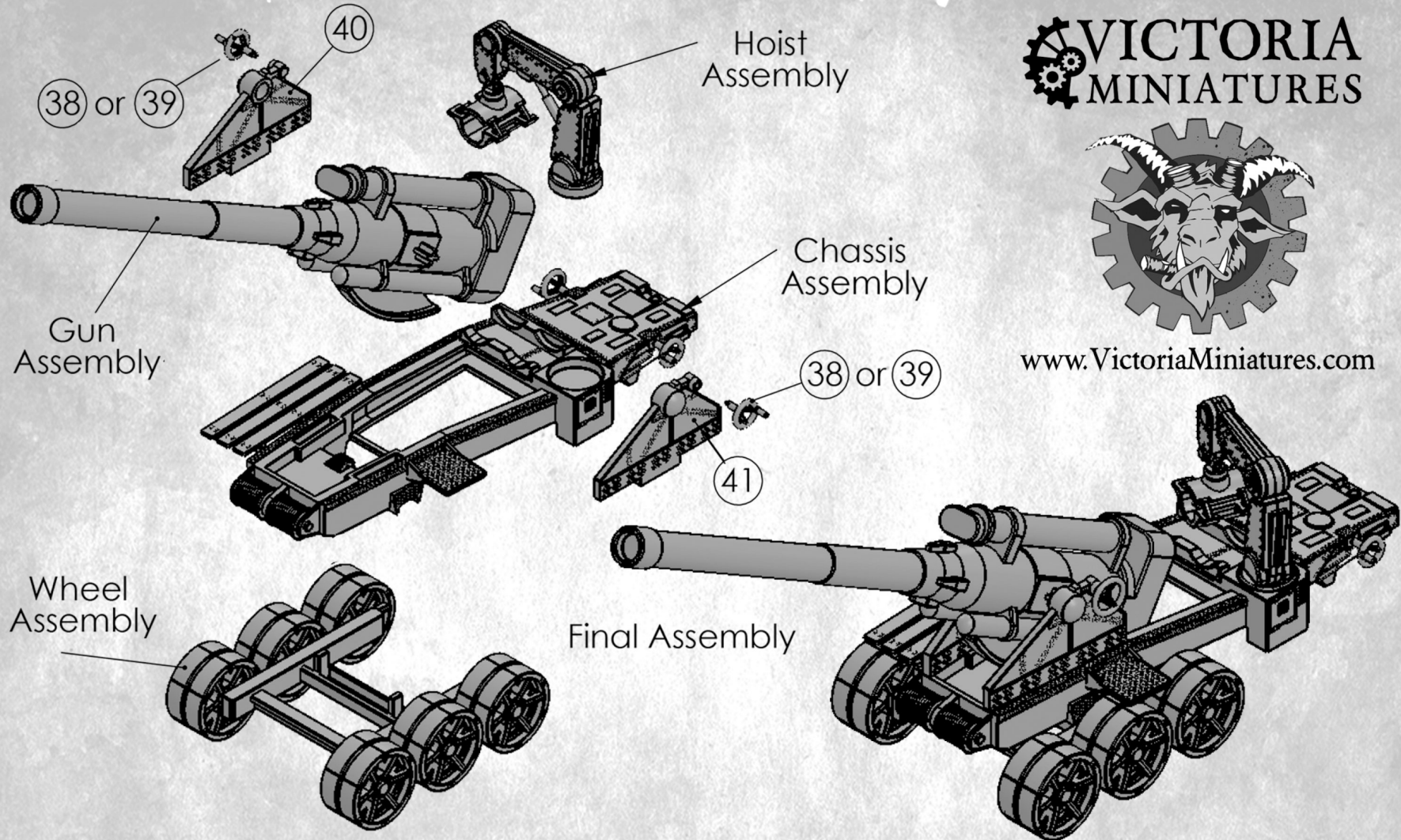
## Hoist Assembly



**VICTORIA  
MINIATURES**



[www.VictoriaMiniatures.com](http://www.VictoriaMiniatures.com)



This kit contains all the pieces required to build the Sledgehammer BFG. Plastic model glue is recommended for the cannon assembly.

Super glue is recommended for the crew, ammo box and shell assembly.

For more accessories and troops for your Sledgehammer BFG, visit [www.VictoriaMiniatures.com](http://www.VictoriaMiniatures.com)

Cannon designed and sculpted by Jake Schneider, crew by Victoria Lamb

SLEDGEHAMMER BFG INSTRUCTIONS PAGE 3 OF 3