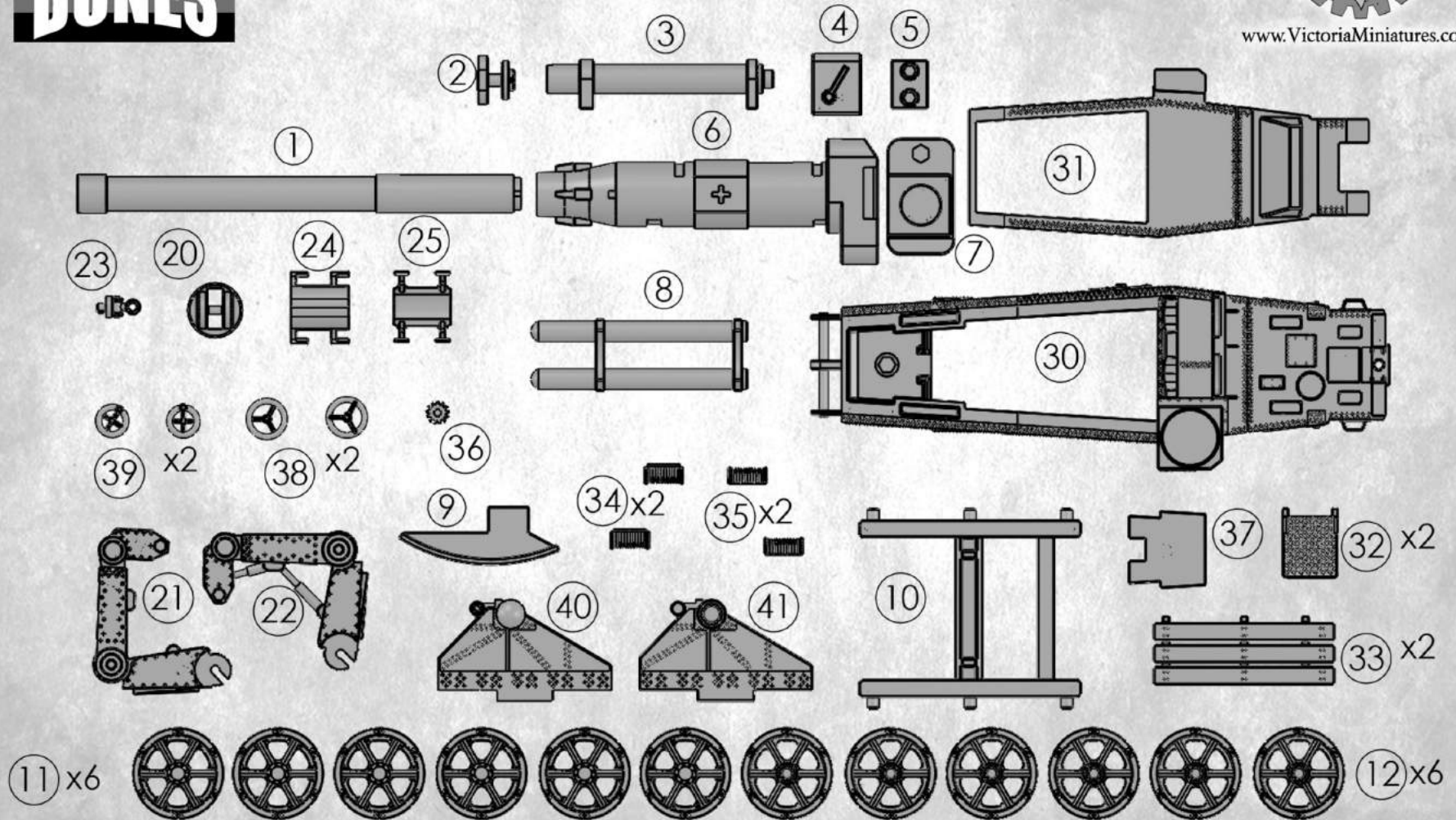
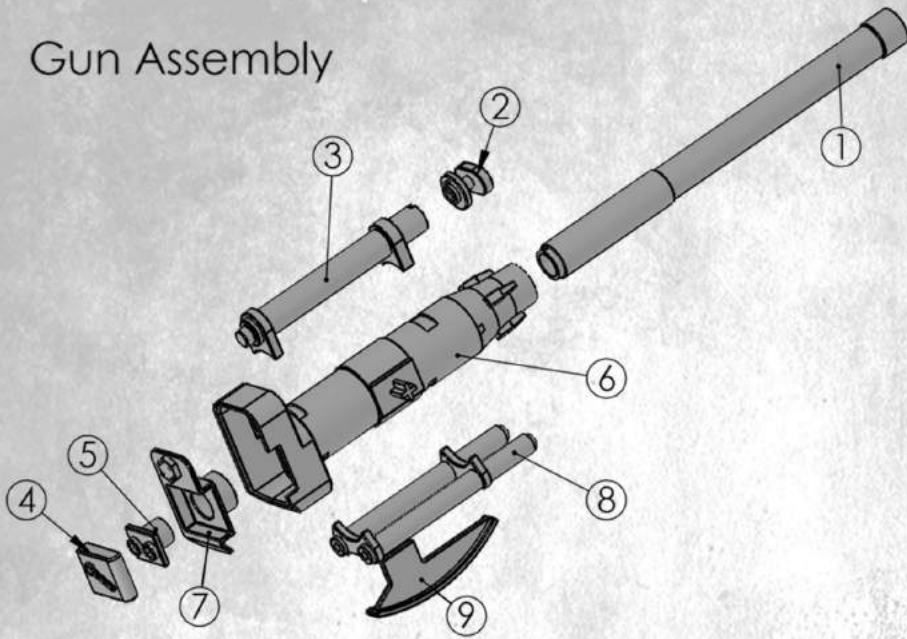


SLEDGEHAMMER BFG

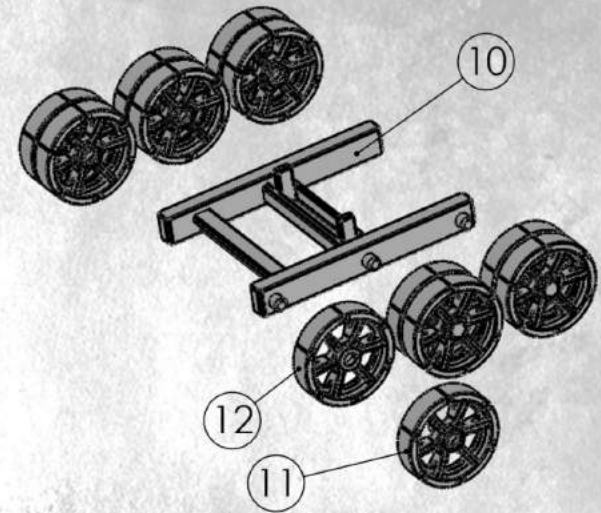
ASSEMBLY INSTRUCTIONS



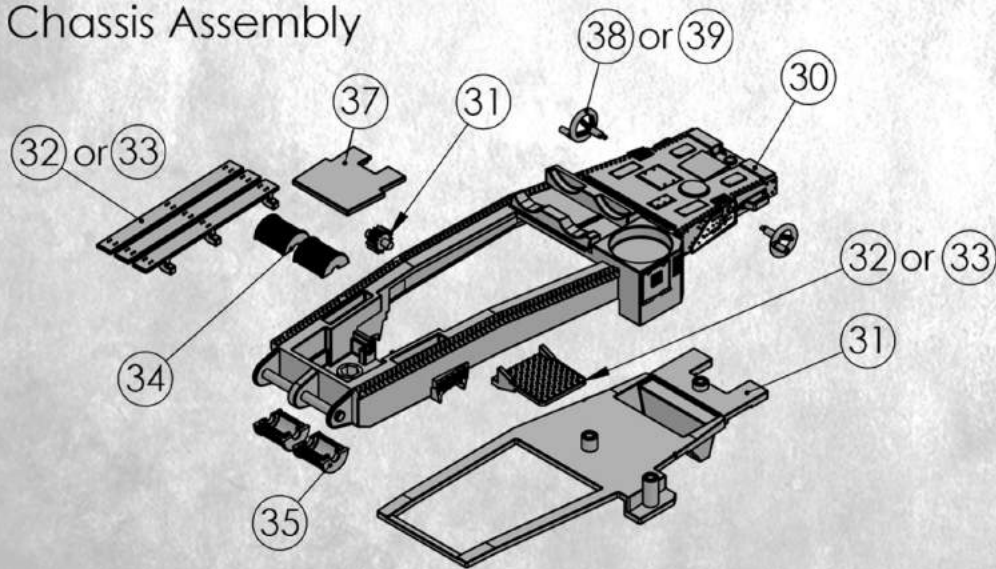
Gun Assembly



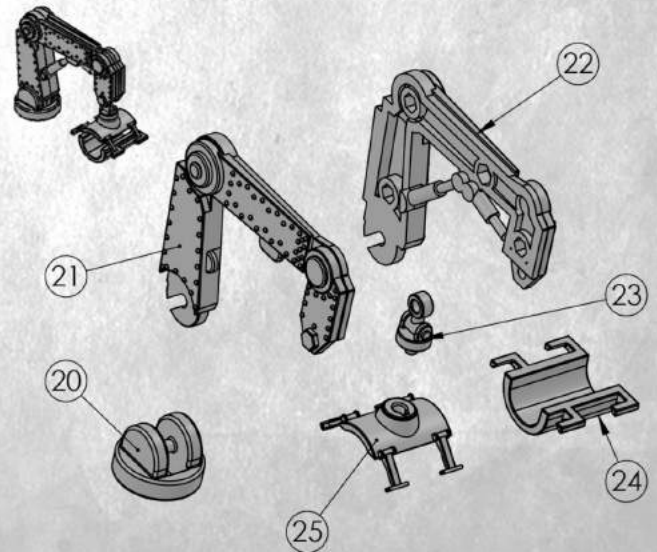
Wheel Assembly



Chassis Assembly



Hoist Assembly

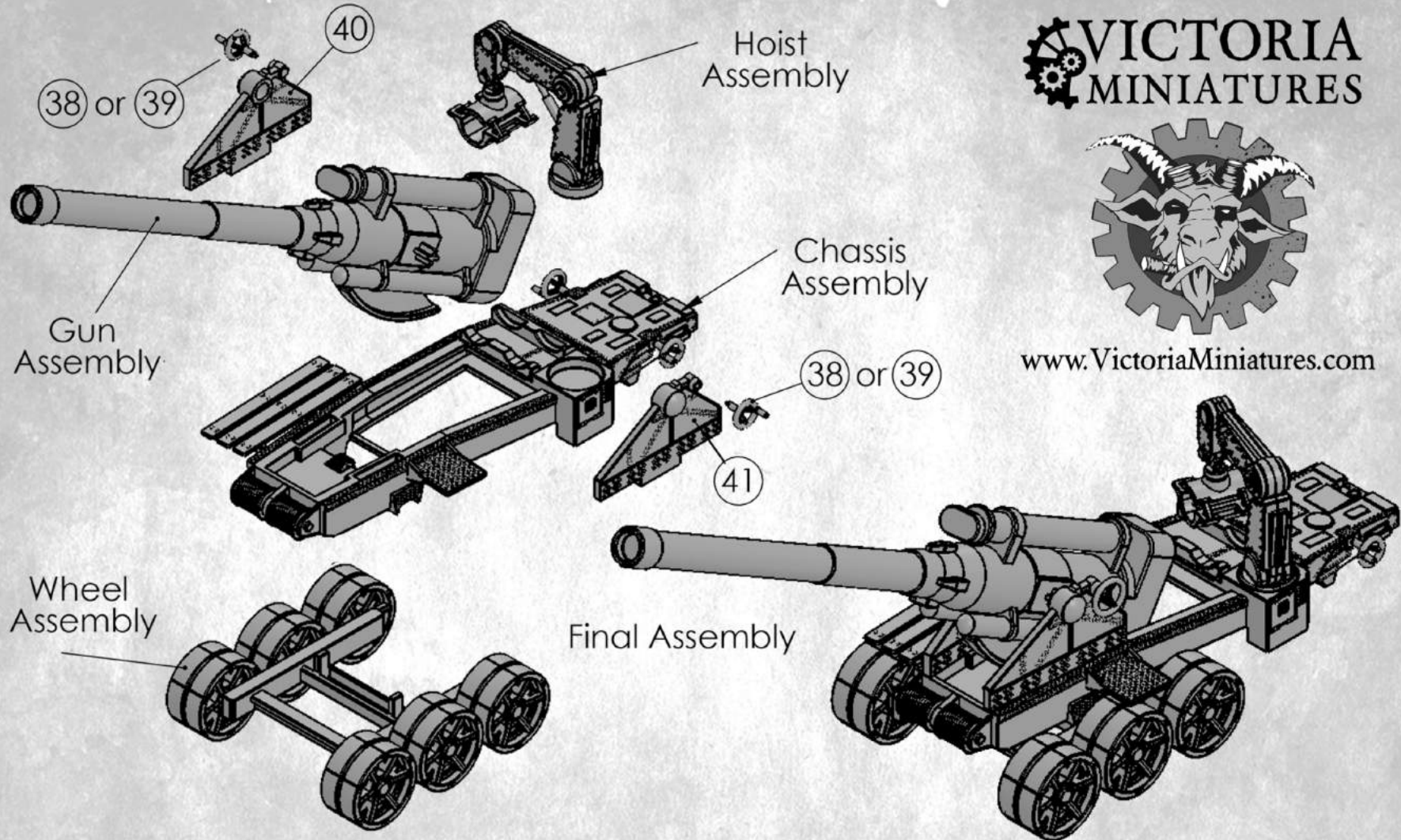


SLEDGEHAMMER BFG INSTRUCTIONS PAGE 2 OF 3

**VICTORIA
MINIATURES**



www.VictoriaMiniatures.com



This kit contains all the pieces required to build the Sledgehammer BFG. Plastic model glue is recommended for the cannon assembly. Super glue is recommended for the crew, ammo box and shell assembly. For more accessories and troops for your Sledgehammer BFG, visit www.VictoriaMiniatures.com

Cannon designed and sculpted by Jake Schneider, crew by Victoria Lamb

SLEDGEHAMMER BFG INSTRUCTIONS PAGE 3 OF 3