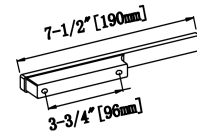
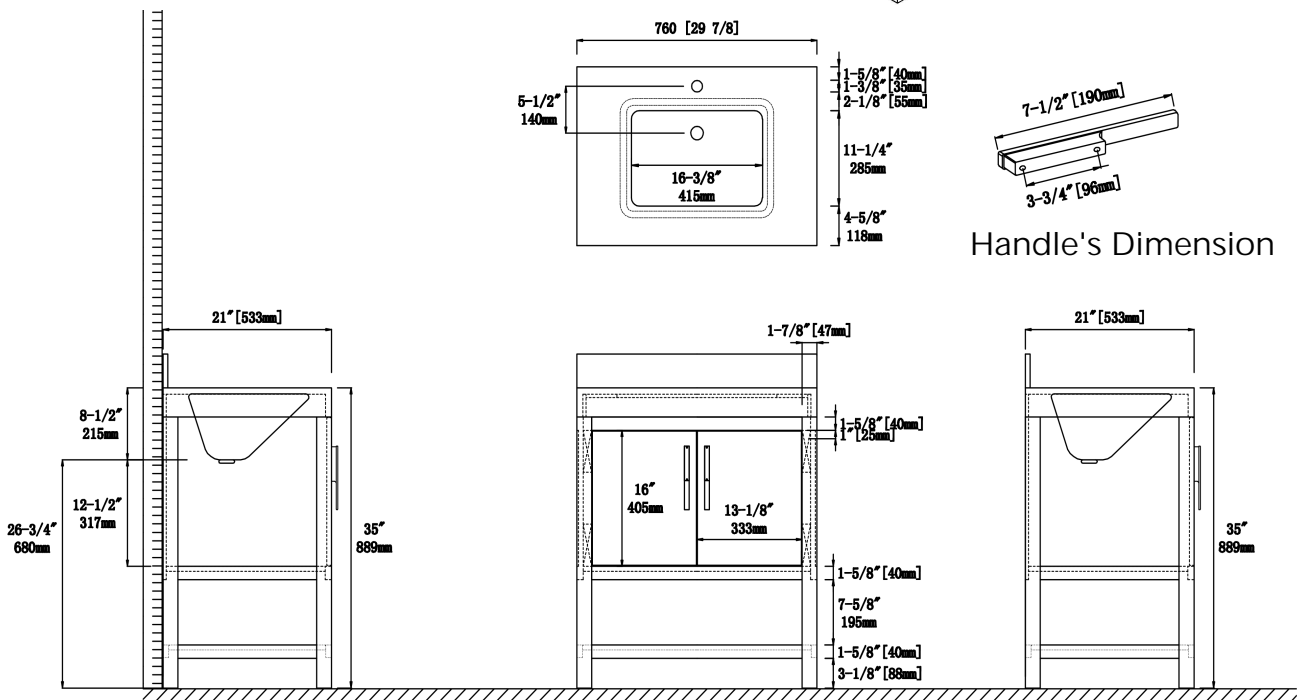
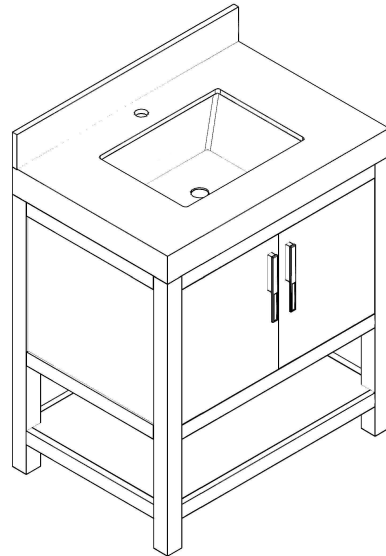


CS1921-30

Specifications & Dimension



Handle's Dimension

