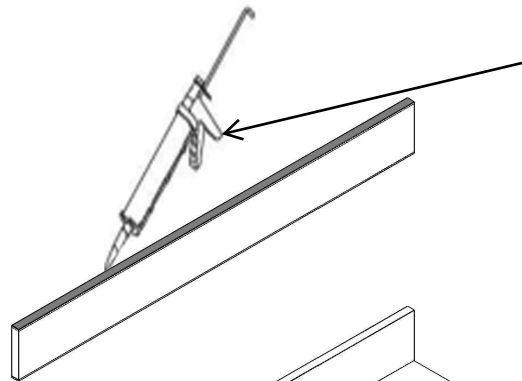
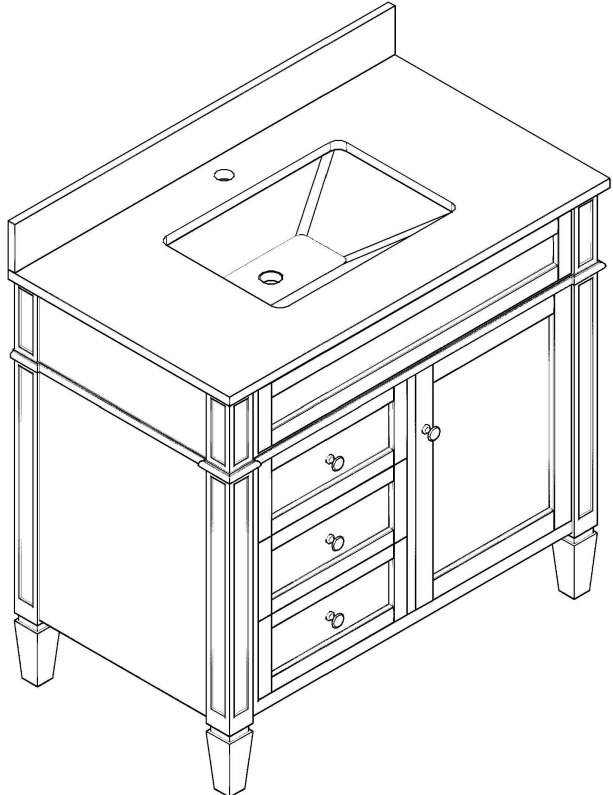
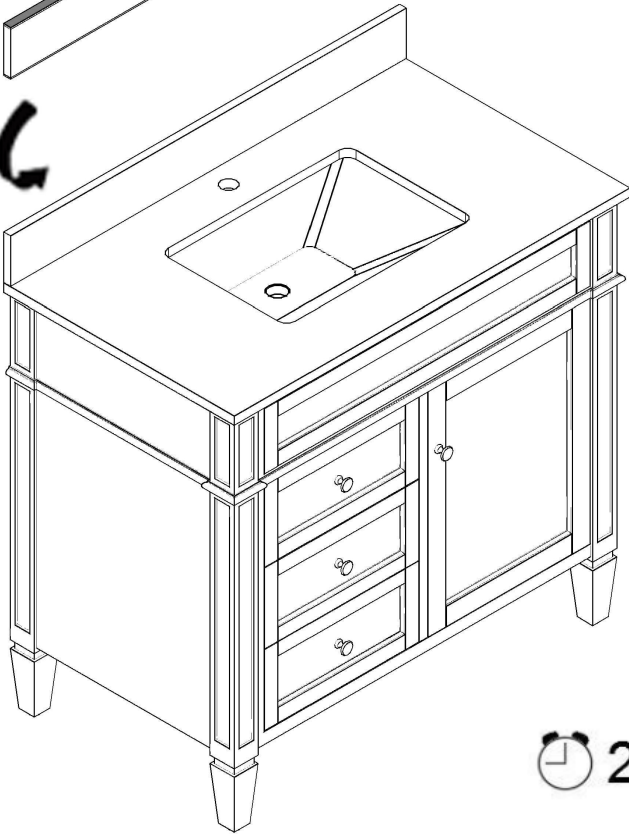


Installation & Assembly



Ensure to apply the silicone to the rough edge and that the smooth face is facing the front



 24H