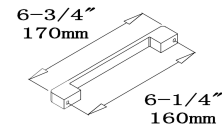
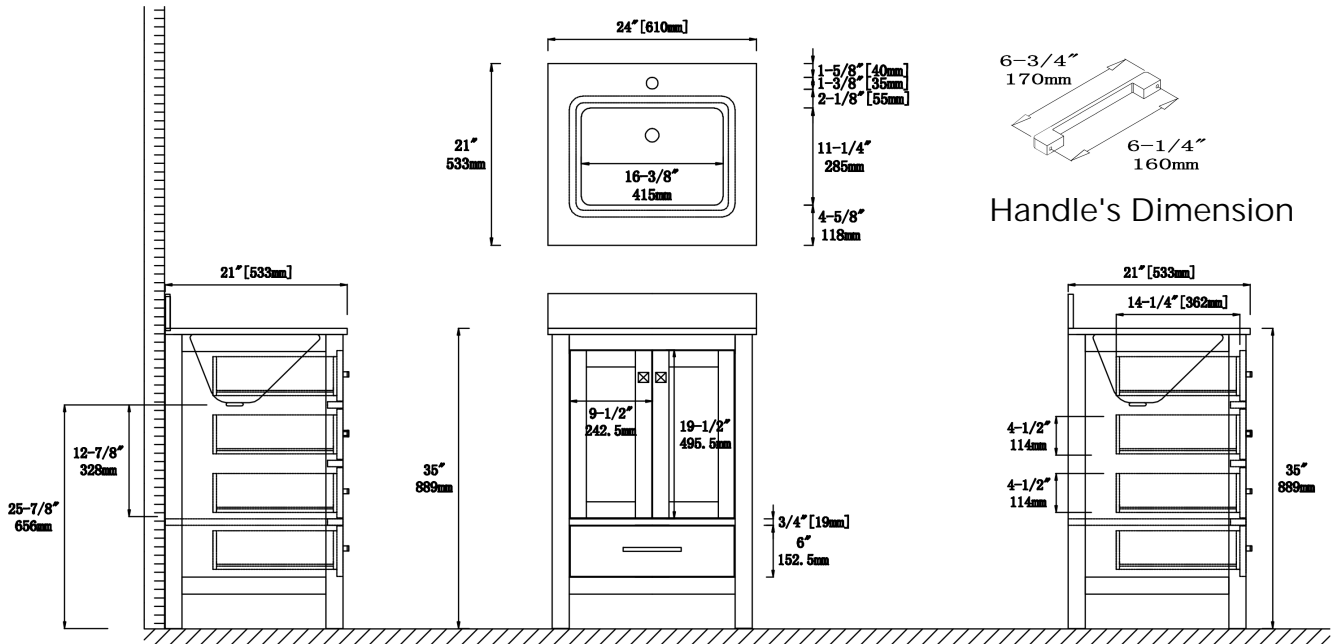
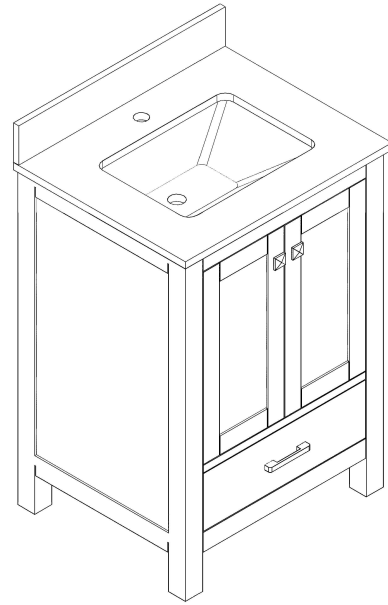


# CS1901-24

## Specifications & Dimension



Handle's Dimension

