

Mono

SAMSUNG

Specifications

Mono **R32**

- Intuitive, colour screen touch controller in multiple languages
- Energy monitoring through touch controller
- 2-zone control, suitable for floor heating and radiators

Accessories



Touch Controller

MWR-WW10N



		Outdoor Unit		AE050RXYDEG/EU		AE080RXYDEG/EU		AE120RXYDEG/EU	
		Control Kit		MIM-E03CN		MIM-E03CN		MIM-E03CN	
System	Operation	Nominal Capacity	Heating A7/W35 ¹	W	5.000	8.000	12.000		
			Cooling A35/W18 ¹	W	5.000	7.500	12.000		
	Power Input (Nominal)	Heating A7/W35 ¹	W	1.030	1.770	2.650			
			Cooling A35/W18 ¹	W	1.140	1.900	2.770		
	COP (Nominal Heating) A7/W35 ¹		W/W	4,85	4,52	4,53			
	EER (Nominal Cooling) A35/W18 ¹		W/W	4,39	3,95	4,33			
	Leaving Water Temperature ²	Heating	°C	15-65	15-65	15-65			
			Cooling	°C	5-25	5-25	5-25		
	Ambient Temperature	Heating	°C	-25-35	-25-35	-25-35			
			Cooling	°C	10-46	10-46	10-46		
				DHW	°C	-25-43	-25-43	-25-43	
	Functions	2-Zone Control ³		-	•	•	•		
Outdoor Unit	Power Supply	Φ, V, Hz	1Φ, 220-240V, 50Hz	1Φ, 220-240V, 50Hz	1Φ, 220-240V, 50Hz				
Compressor	Type	-	BLDC Twin Rotary	BLDC Twin Rotary	BLDC Twin Rotary				
Base Heater		-	-	•	•				
Sound	Sound Pressure ⁴	Heating Std	dB(A)	45	48	50			
		Cooling Std	dB(A)	45	48	50			
	Sound Power	Heating Std	dB(A)	61	63	64			
		Cooling Std	dB(A)	62	64	65			
Dimensions	Net Weight	kg	58,5	76,0	110,0				
	Net Dimensions (WxHxD)	mm	880 x 798 x 310	940 x 998 x 330	940 x 1,420 x 330				
Refrigerant	Type	-	R32	R32	R32				
	These products contain R32 (GWP=675) which is fluorinated greenhouse gas.								
	Factory Charging	tCO ₂ e	0,68	0,78	1,49				
		kg	1,00	1,15	2,20				

		AE160RXYDEG/EU		AE080RXYDGG/EU		AE120RXYDGG/EU		AE160RXYDGG/EU		
		MIM-E03CN		MIM-E03CN		MIM-E03CN		MIM-E03CN		
		16.000	8.000	12.000	16.000					
		14.000	7.500	12.000	14.000					
		3.620	1.770	2.650	3.620					
		3.280	1.900	2.770	3.280					
		4,42	4,52	4,53	4,42					
		4,27	3,95	4,33	4,27					
		15-65	15-65	15-65	15-65					
		5-25	5-25	5-25	5-25					
		-25-35	-25-35	-25-35	-25-35					
		10-46	10-46	10-46	10-46					
		-25-43	-25-43	-25-43	-25-43					
		•	•	•	•					
		1Φ, 220-240V, 50Hz	3Φ, 380-415V, 50Hz	3Φ, 380-415V, 50Hz	3Φ, 380-415V, 50Hz					
		BLDC Twin Rotary	BLDC Twin Rotary	BLDC Twin Rotary	BLDC Twin Rotary					
		•	-	•	•					
		52	48	50	52					
		54	48	50	54					
		66	63	64	66					
		68	64	65	68					
		110,0	75,0	111,0	111,0					
		940 x 1,420 x 330	940 x 998 x 330	940 x 1,420 x 330	940 x 1,420 x 330					
		R32	R32	R32	R32					
		These products contain R32 (GWP=675) which is fluorinated greenhouse gas.								
		1,49	0,78	1,49	1,49					
		2,20	1,15	2,20	2,20					



¹A2W Conditions : (Heating) Water In/Out 30°C/35°C, Outdoor Air °C[DB]/6°C[WB]; (Cooling) Water In/Out 23°C/18°C, Outdoor Air 35°C[DB].

²65°C down to +10°C (max. 60°C down to -5°C)

³When combined with external thermostat.

⁴Sound pressure level is obtained in an anechoic room. Sound pressure level is a relative value, depending on the distance and acoustic environment. Sound pressure level may differ depending on operation conditions.

SAMSUNG Specifications

Mono Control Kit

- Includes remote controller and flow sensor
- Mounting box with the control printed board assembly
- Leaving and return water sensors
- Domestic Hot Water sensor



Model		MIM-E03CN
Compatible With	-	EHS R32 Mono ODU
Power Supply	Ø, #, V, Hz	1, 2, 220-240, 50
External Control	Booster Heater	-
	Back up Heater (/Boiler)	-
	Water Pump	-
	2way(or 3way) Valve	-
	Room Thermostat	-
	Solar Pump	-
	Inverter Pump	-
	3way Mixing Valve	-
External Dimension	Net Weight	kg
	Net Dimensions (WxHxD)	mm

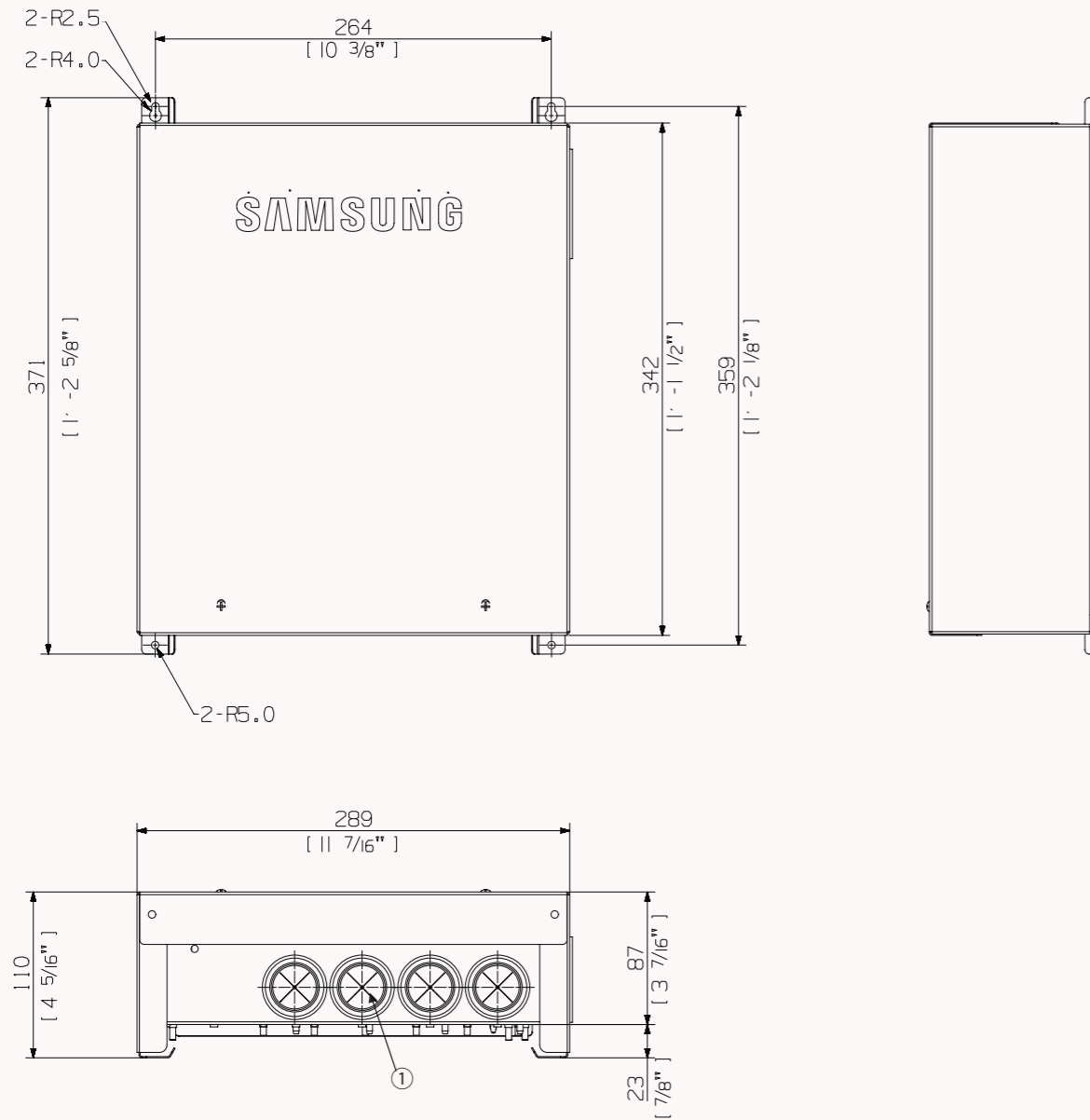


SAMSUNG

Dimensional Drawings

Mono Control Kit

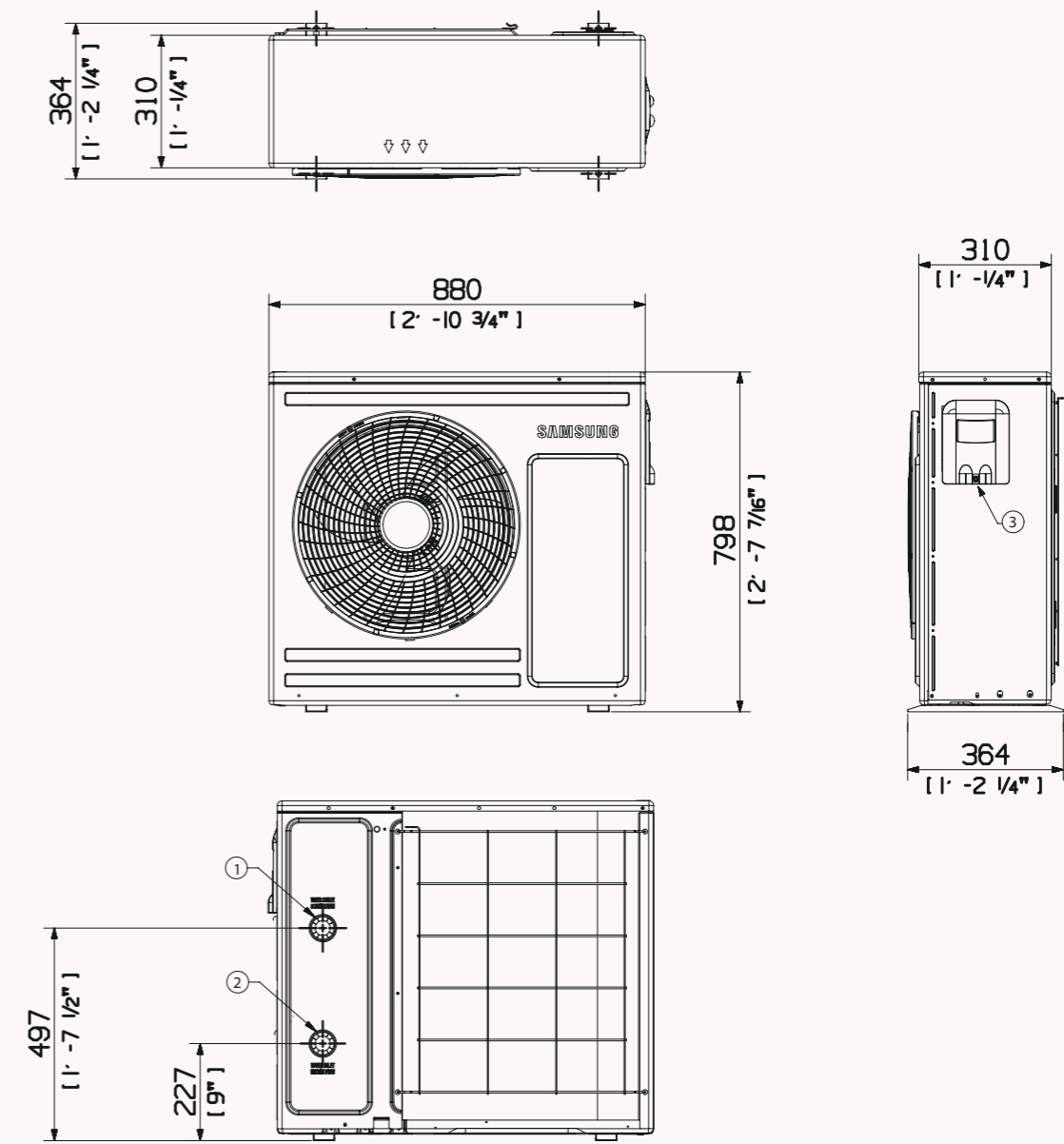
MIM-E03CN



NO	Name
1	Conduit Holes for Wiring (Rubber)

Mono Outdoor

AE050RXYDEG/EU



NO	Name
1	Water Pipe(Out)
2	Water Pipe(In)
3	Power & Communication Wiring Conduit Holes

Mono

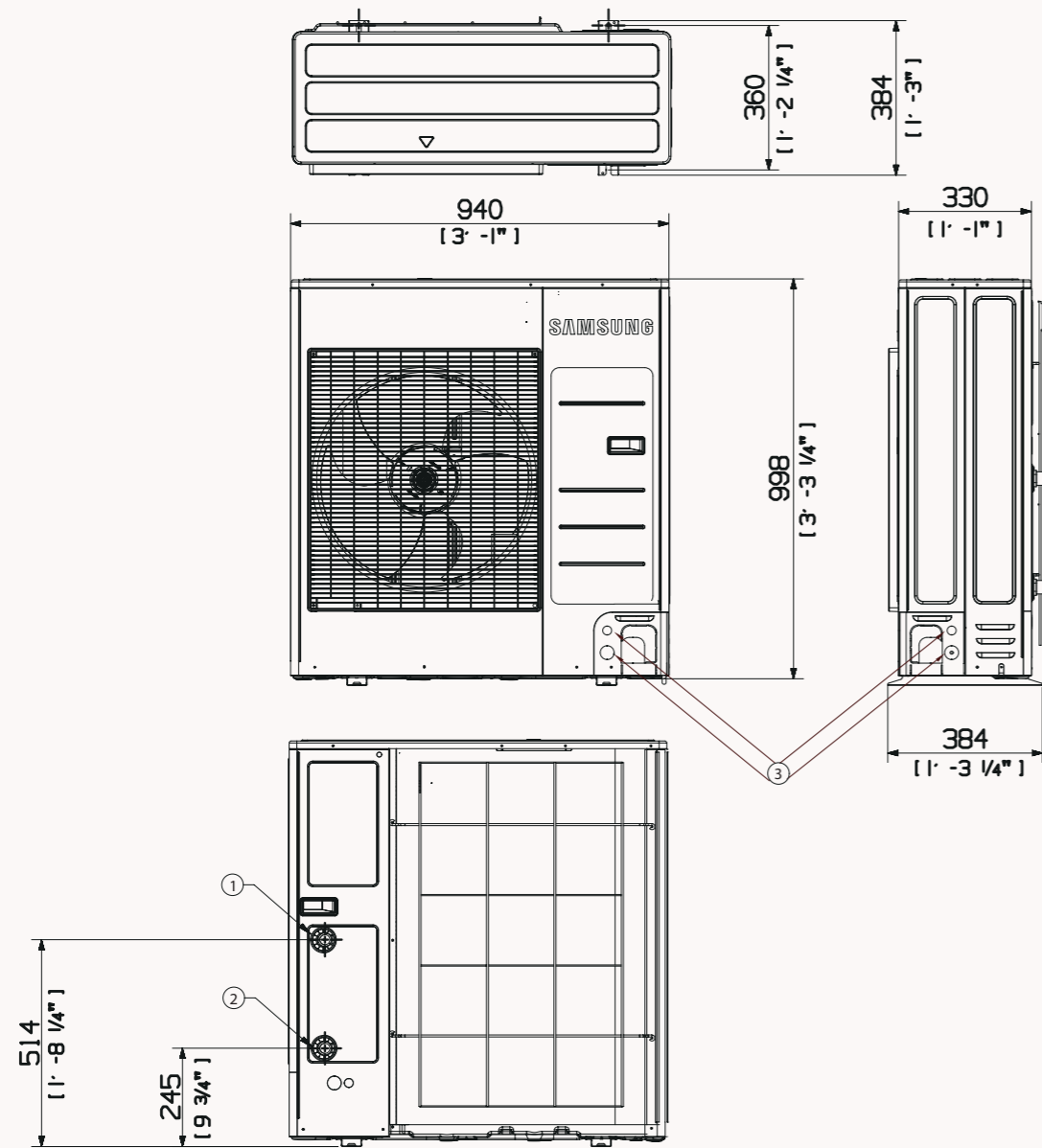
Mono

SAMSUNG

Dimensional Drawings

Mono Outdoor

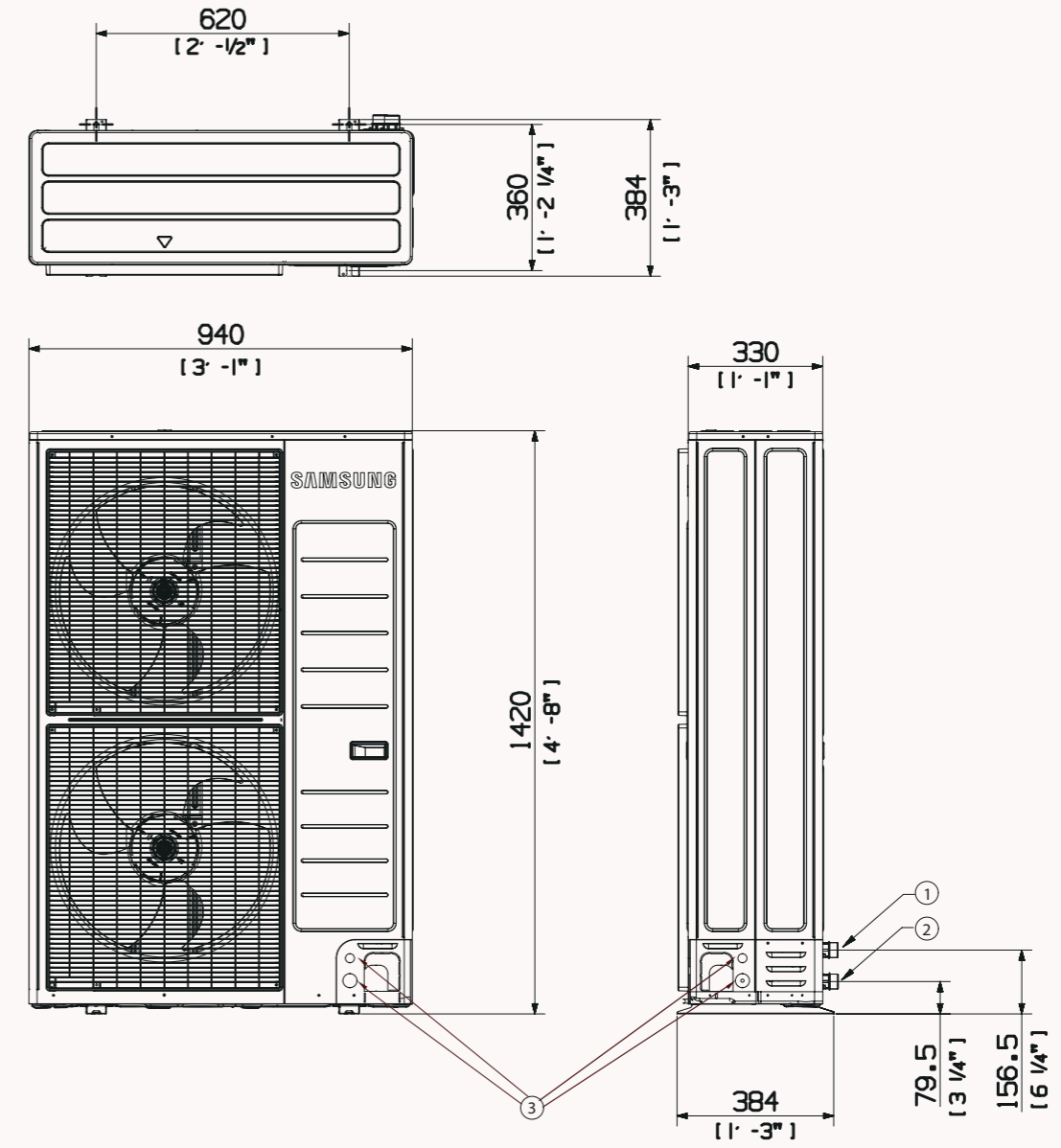
AE080RXD*G/EU



NO	Name
1	Water Pipe(Out)
2	Water Pipe(In)
3	Power & Communication Wiring Conduit Holes

Mono Outdoor

AE120/160RXD*G/EU



NO	Name
1	Water Pipe(Out)
2	Water Pipe(In)
3	Power & Communication Wiring Conduit Holes

Mono

Mono