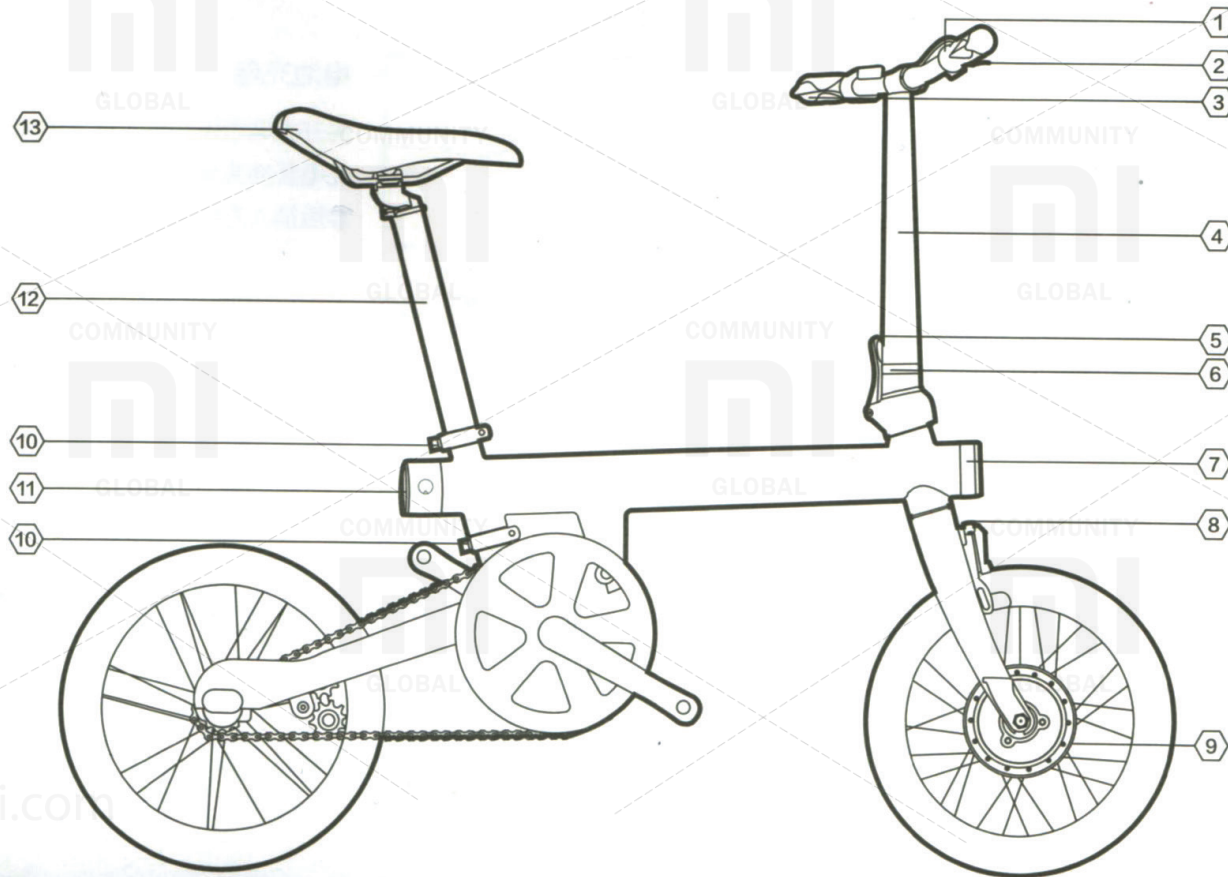


QiCycle Electric Folding Bike

Overview



- ① Shifter
- ② Brake
- ③ Handlebar
- ④ Steering tube
- ⑤ Steering tube fixer
- ⑥ Steering tube fixer
- ⑦ Headlight
- ⑧ Front brake
- ⑨ Motor
- ⑩ Clip of saddle pin
- ⑪ Backlight
- ⑫ Saddle pin
- ⑬ Saddle

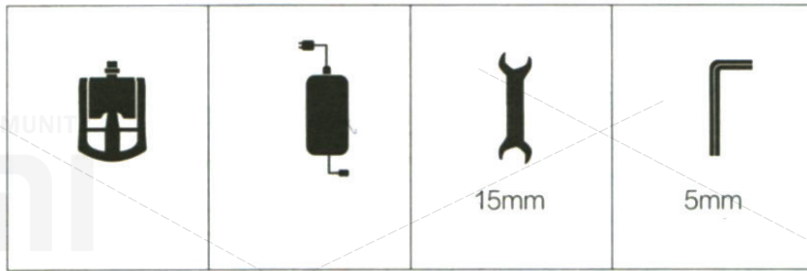
COMMUNITY
GLOBAL

COMMUNITY
GLOBAL

COMMUNITY
GLOBAL

COMMUNITY
GLOBAL

Schematic representation of accessories



Pedals x 2

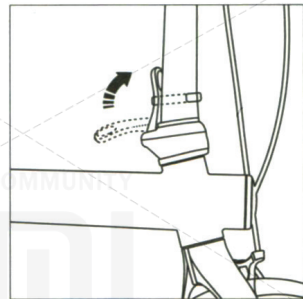
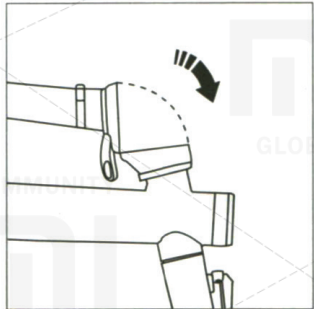
Power adaptor x1

Wrench (15mm) Hex key (5mm) x1

Quick start

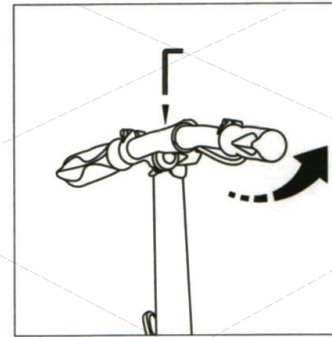
Installation (assembly) of a steering tube

1



Install the steering tube in a vertical position. Make a tight conjunction between steering pipes and a lower part of the bike. Lift the latch to secure a position of a steering tube.

2

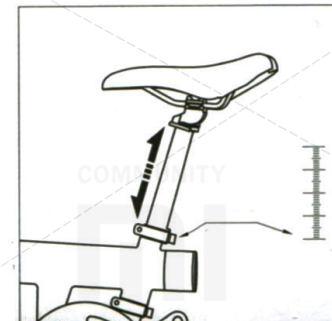


Adjusting a tilt of steering

Set a desired angle of a handlebar and simultaneously tighten two screws using a hex key (5 mm).

Adjusting a saddle height

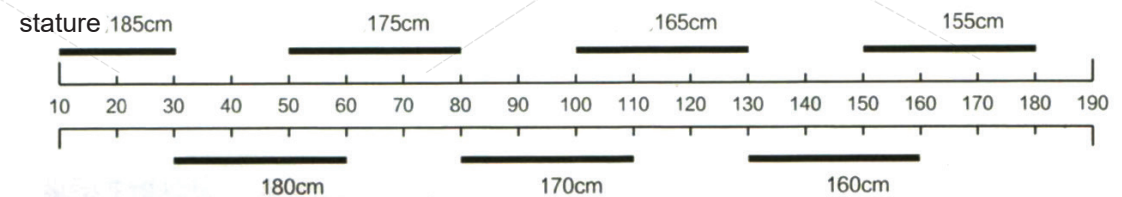
3



Maximum safe height

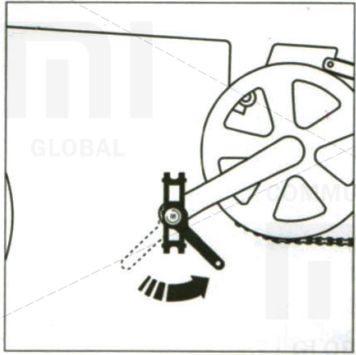
Loosen a saddle clamp, and then select an appropriate position and height of a saddle. Tighten a clamp of saddle pin. Note that it should not exceed maximum safe height.

Recommended saddle height:



Installing of pedals

4



To install pedals you must use a wrench (15mm):

Pedal to the left leg tighten counterclockwise, pedal for the right foot - clockwise.



15mm.

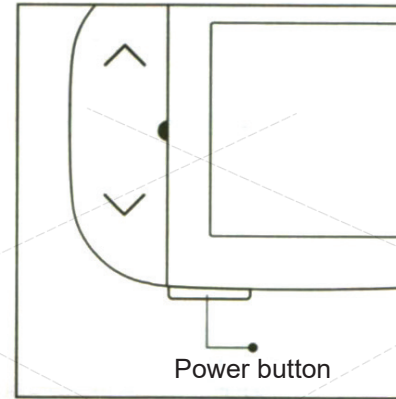
Wrench (15mm)



Left foot pedal

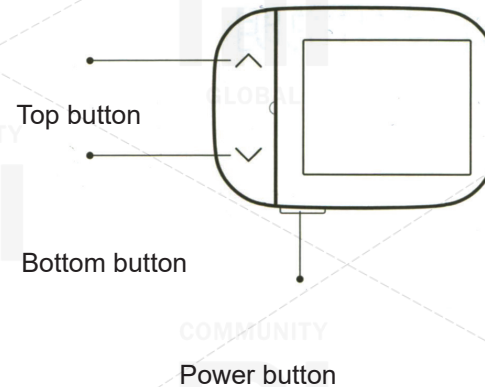


Right foot pedal



Note: after turning the bike on, you must wait about 10 seconds to torque sensor switched to a starting position.

Managing a display



Switching on/off the bicycle

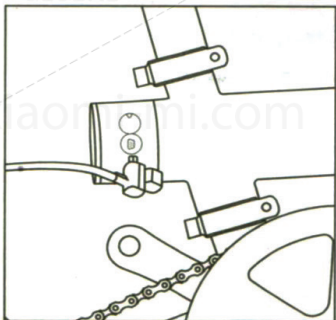
Press and hold a power button for 3 seconds.

Note: If battery level is low, it goes into sleep mode.

Please promptly charge the battery and then use a vehicle.

Switching on

5



1. Charging

Before first use of bicycle you must charge the battery.

2. Switching on

Press and hold for 3 seconds a button, located at the bottom of display.

Switching on/off lights

Hold a top button to simultaneously turn on / off front and rear lights.

Press and hold a bottom button to turn on / off a rear headlight.

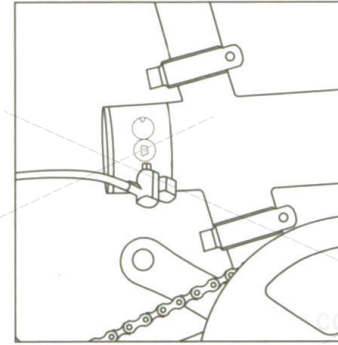
Installing an APP



1. Scan the QR-code, to download an APP.
2. At rest, press the top/bottom display button to switch a connecting interface of application.
3. Once registered, scan the QR-code, which is shown on the main page. Connection succeeded.

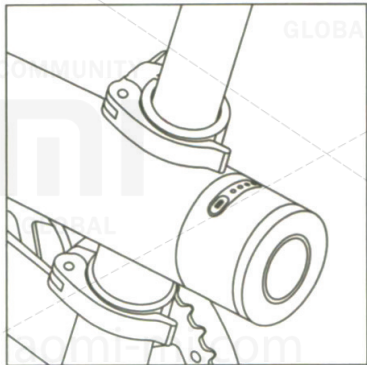
Note: At the APP you will find more information on management and use of the vehicle.

Battery charging



Open a flip cover of port to charge a battery, remove a protective cover from a plug of adapter and insert it into slot.

Battery and charging

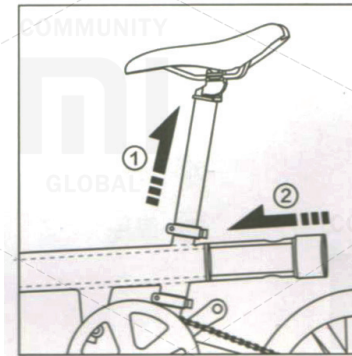


Check a battery level

Click on a button to display battery level, a number of burning indicators meet a level of battery charge:

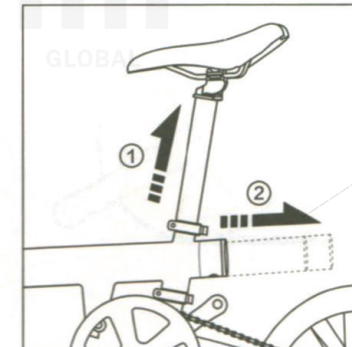
- 4 indicators: 76% - 100%
- 3 indicators: 50% - 75%
- 2 indicators: 26% - 50%
- 1 indicator: 11% - 25%
- 1 flashing light: 1% - 10%

Installing of battery



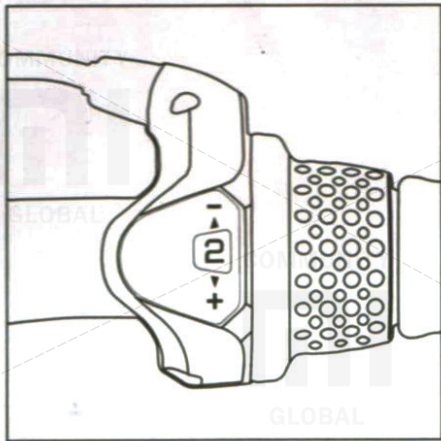
1. Loosen a saddle pin clamp. Remove a saddle pin.
2. Insert a battery in bicycle frame until lock clicks.

Removing of battery



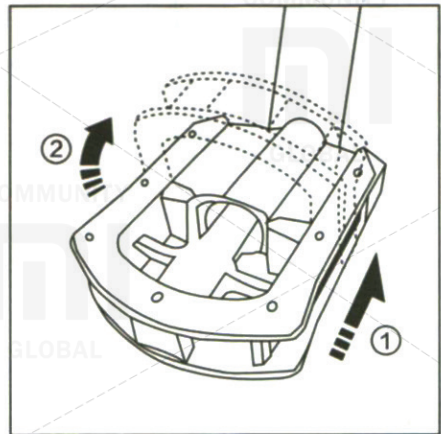
1. Loosen a saddle pin clamp. Remove a saddle pin.
2. Press an engine control lever and remove a battery.

Gear shift



On the right side of handlebar is built-in Shimano switch.
Scroll down a handle to switch to a higher gear.
Scroll handle up to switch to a lower gear.

Folding pedals



1. Slightly press a pedal.
2. Then fold it without applying much effort.

The presence of toxic and hazardous substances

Name of part	Pb PBDE	Hg	Cd	Cr6+	PBB	PBDE
Metal parts	0	0	0	0	0	0
Paint	0	0	0	0	0	0
Plastic	0	0	0	0	0	0
Rubber	0	0	0	0	0	0

O: toxic and harmful substances in all components of the device are contained in an amount below a limit value, according to standard GB / T 26572-2011.

X: presence of toxic and hazardous substances at least one of components of the device in an amount that exceeds a threshold, according to GB / T 26572-2011.

Warranty

After-sales servicing is carried out according to law on «Consumer rights» and «Law on product quality.»

Warranty service includes:

1. Within 7 days of purchase, in case of problems with «List of faults» service center determines the cause of the problem, then you can choose a free replacement product or a refund.
2. Within 15 days of purchase, in case of problems with «List of faults» service center determines the problem, then you can choose a free replacement product or repair.
3. Within 12 months after the purchase, in the event of a problem with «List of faults» service center determines the problem and then you can choose a free repair.

Warranty

Service	Term	Type of product return and replacement	Payment	Notes
Returning of goods	7 days	If you have any questions, concerning product quality or functionality. (After sales service specialist evaluates the product and determine the cause of possible problems)	Free or paid delivery	User must provide a package, a vehicle, all its components and a receipt.
		Emergence of product breakage during transportation	Paid delivery	
Replacement of goods	15 days	In addition to two reasons above, if return of goods is due to personal reasons, device must be in perfect condition. Packaging of a product and all its components must not have any damage. If you have any questions, concerning product quality or functionality. (Specialist after sales service evaluates the product and determine the cause of the possible problems)	Free replacement	

Kind of warranty	Parts	Term
Frame type	Frame	2 years
Average accessories	Front fork, wheel, shift knob, flywheel, gear drive, the crankshaft, the driving axle, rear hub, screws hockey, complex steering wheel, saddle pin, front brake calipers, rear brake calipers, brake handle, flipper, cup of front fork, carriage, complex magnetic clasp of wheel.	1 year
Smart parts	Display, motor, motor controller, lights, power adapter, torque sensor, battery, etc.	1 year
Consumables	Tires, inner camera, chain, brake pads, brake cable, cable for switching gears, reflector, headlight, taillight, pedal clip for wires and all additional components.	No warranty

Conditions, are not included in warranty:

1. A warranty period has expired;
2. Absence of sales receipt or its correction;
3. Damage, arising under force majeure circumstances;
4. Completion of maintenance, fall, neglect, abuse, water impact, accident, damaged label and marking device;
5. Device model, specified in the warranty card, does not match real goods;
6. Performing maintenance device, that does not meet guidelines, specified in instructions;
7. Emergence of unusual sound and vibration of pedals, rear bushings, steering systems, shock absorber, flywheel and other parts;
8. Deformation of wheels as a result of a heavy blow; damage to parts, caused by external factors or drop the bike; lowering the wheel as a result of a sharp object punctured; damage to individual components due to delayed replacement parts; damage or scratches on a saddle; frame damage as a result of installing a saddle above the specified limit height;

9. An emergence of flaking varnish, appearance of corrosion on a frame and other details of the bike due to moisture, shock, friction or other external factors; natural shedding varnish or fading of colors on metal and plastic parts after prolonged use of the vehicle;
10. Damage to the bicycle and its functions, as a result of its use to perform tricks, lowering the stairs, jumps and other similar actions;
11. Fracture or deformation of a frame as a result of excessive and improper use of a bicycle;
12. Built-in sensors are not subject to multiple charging. A warranty terms not apply to a dry battery, push-button type battery. When battery is spent, its replacement is performed by user and one's costs.

Cautions

Battery and its charging

- Charge a battery at temperature of 0C - 45C. Keep a battery dry. At a temperature of 20S - 60C battery is low.
- Do not immerse a battery in acidic and alkaline liquids. Avoid exposure to rain, keep a battery away from heat sources and do not leave it in high temperature and moisture.
- It is strictly forbidden to break, spoil, disassemble a battery and do actions, that can cause a short circuit.
- To recharge a vehicle, use a power adapter, that comes as original equipment. Do not leave a bike on a charger for more than 6 hours, a charging current does not exceed 2A.
- If over time a vehicle is not in use, please keep a battery in a dark, dry and cool place. Every two months, put a battery on a charger for two hours.
- Charge a battery in accordance with guidelines specified in instructions, or it may be an accident.
- Note the power adapter can be used to recharge a battery of only one type, at a certain voltage and current. It is strictly prohibited to use a power adapter for charging other devices.
- When charging batteries need to install it in a well-ventilated place. It is strictly prohibited to charge a battery in a closed room or in a room with a high temperature.
- During charging, first insert a battery and then connect an adapter to power supply. After a full charge, disconnect a power adapter from a power supply, and then disconnect it from a battery.
- If indicator light up green, you need time to disconnect a battery from a power supply. It is forbidden for a long time to leave a battery connected to a power supply after full recharging.
- During recharging, if indicators begin to light up in unusual way, an odor appears, or outer surface of an adapter become very hot, immediately turn off a battery from the power supply. You may need to repair or replace the device.
- Do not let outer substances to penetrate to a power adapter, do not immerse it in water or other liquids to prevent internal short circuit.
- Do not continuously transporting a power adapter in a vehicle. If you need to transport a power adapter, don't expose it to strong shock during

transportation.

- Do not disassemble or modify a power adapter.

Riding

- Carefully read instructions, find information about the device and review conditions, under which it is not recommended to use a vehicle. Do not pass a vehicle for people who cannot manage it.
- When traveling by bicycle, please wear a helmet safety, follow traffic rules.
- Before traveling, check an air pressure in tires of a bicycle, recommended pressure is 35-45 PSI.
- Speed of a bike must not exceed 15 km / h, not recommended mode gain.
- When traveling, do not expose engine to excessive shaking and severe shocks, periodically lubricate spindle.

Brakes

- Before a trip, carefully check a status of brakes.
- First recommended brake is rear brake.
- Watch closely for wear of brake pads. If brake pads worn on 1/3, promptly replace them.
- In rainy and snowy weather we recommend to increase a braking distance.

Maintenance and storage of a bike

- Keep your bike in a dry place, avoid direct sunlight.
 - Timely lubricate a chain.
 - Regularly check all bolts and fasteners of all places, in time to tighten them if necessary.
- Recommended twisting force: (on unit: N*cm) screws with washer - 60-80, screws stem 175-200, 175-250 saddle screws, bolts wheels 320-450.
- A degree of chain tension varies 2 cm. If this figure is less than 2 cm, please adjust a chain tightness.

The client company: Xiaomi Ecosystem company «Qiyi (Xiamen) Technology»
Address: Xiamen, Huli District, Anling Street 97-99, 8 Floor, 01-07 Block

Main parameters

Model: EF1;
Size: 1290 x 540 x 910mm;
Weight: 14.5kg;
Front fork: made from aluminum alloy;
Saddle pin: 33.9 x 580mm (produced from aluminum alloy)
Wheel size: 16 inches;
Method of braking, front brakes, rear brakes Shimano IM31;
Engine type: electric;
Rated speed: about 260 r / min;
Power input: 36V --- 6A;
Protection of the voltage: 24.5V;
Battery Type: 18650 mAh lithium-ion battery;
The duration of continuous use: 45 km;

Display: 1.8 inch, 160 x 128 TFT;
Type of wireless connectivity: Bluetooth 4.0;
Standard: Q / XMQJ001 - 2016;
A distance between front and rear wheels: 870 mm;
Payload: 100 kg
Frame: Aluminium crank 52T x 170mm;
Bushing: three-speed rear hub Shimano;
Stopping distance: on dry road no more than 4 m, in a wet - no more than 15m (speed bike 20 km / h);
Continuous output power: 180 W;
Rated output torque: 7.3 Nm;
Maximum speed: 20 km / h;
Overcurrent protection: 10;
Battery Capacity: 5.8 Ah / VTG 208.8;
Maximum charging voltage: 42 V;
Recharging time: 3 hours .;
CMIIT ID: 2016DP2241.

XIAOMI-MI.COM