

Operating Instructions

Vacuum Cleaner
S185



Miele®

Please carefully study these Operating Instructions before attempting to operate the unit and note the listed Important Safety Instructions.

IMPORTANT SAFETY INSTRUCTIONS

When using this vacuum cleaner, basic precautions should always be followed, including the following:

READ ALL INSTRUCTIONS BEFORE USING THIS VACUUM CLEANER

WARNING To reduce the risk of fire, electric shock, or injury:

- Do not leave the vacuum cleaner unattended when it is plugged in. Unplug from the outlet when not in use and before servicing.
- Electric shocks can occur if used outdoors or on wet surfaces.
- Do not allow to be used as a toy. Close attention is necessary when used by or near children.
- Use only as described in this manual. Use only manufacturer's recommended attachments.
- Do not use with damaged cord or plug. If vacuum cleaner is not working as it should, has been dropped, damaged, left outdoors or dropped into water, bring it to a service center.
- Do not pull or carry by cord, use cord as a handle, close a door on cord, or pull cord around sharp edges or corners. Do not run vacuum cleaner over cord. Keep cord away from heated surfaces.
- Do not unplug by pulling on cord. To unplug, grasp the plug not the cord.
- Do not handle plug or vacuum cleaner with wet hands.
- Do not put any object into openings. Do not use with any opening blocked; keep free of dust, lint, hair and anything that may block or reduce air flow.
- Keep hair, loose clothing, fingers, and all parts of body away from openings and moving parts.
- Do not pick up anything that is burning or smoking, such as cigarettes, matches or hot ashes.
- Do not use without dust bag and/or filters in place.
- Turn off all controls before unplugging.
- Use extra care when cleaning on stairs.
- Do not use to pick up flammable or combustible liquids such as gasoline or use in areas where they may be present.

SAVE THESE INSTRUCTIONS

THIS VACUUM CLEANER IS INTENDED FOR HOUSEHOLD USE ONLY

Notice- Before you plug in your Vacuum Cleaner, make sure that the voltage indicated on the rating plate located at the rear of the vacuum cleaner is the same as your local supply.

IDENTIFICATION OF MAIN PARTS

A-1) Handle

C) ON/OFF Switch and variable power control

I) Bag check indicator

Release button

Dust bag cover

Exhaust cover / HEPA filter

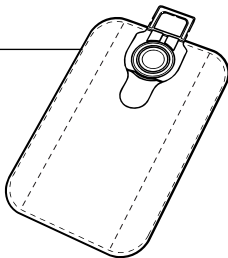
Head light

Bumper

Cleaning head

D) Front edge cleaning

Dust bag



Hose

Crevice nozzle

Extension wand

E) Beater bar selector

E) Foot pedal

B-2) Cord clip

A-3) Hose clip

B-1) Lower cord hook / Carrying handle

Dusting brush

B-1) Upper cord hook

Suction inlet

Upholstery nozzle

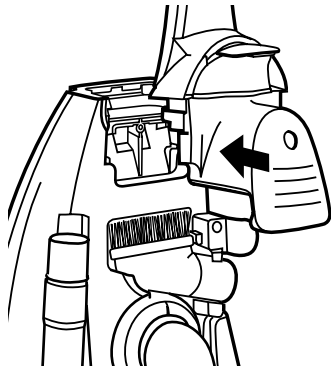
B) Power cord

Hose support

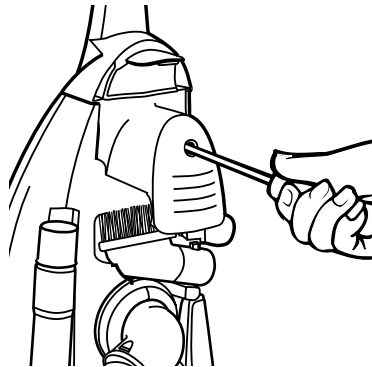
Connection pipe

HOW TO ASSEMBLE / OPERATE YOUR CLEANER

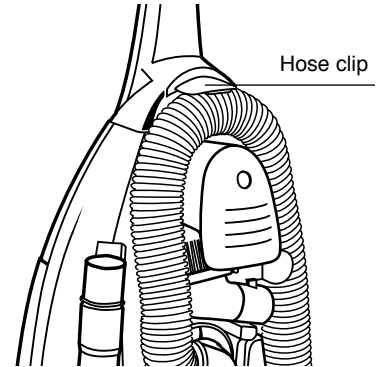
A) HANDLE ASSEMBLY



1) Align the handle with the body of the cleaner as shown in the illustration.

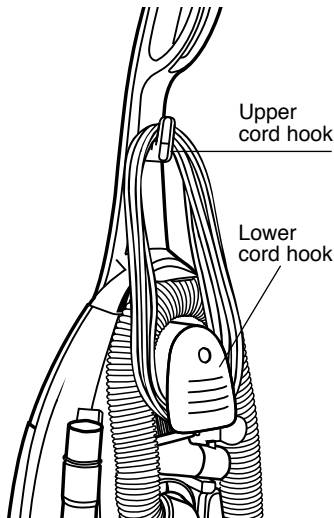


2) Insert the base of the handle into the top of the body of the machine. Push in handle and tighten the screw. The screw can be found in the bag with these operating instructions. **IMPORTANT:** Do not over tighten the screw.

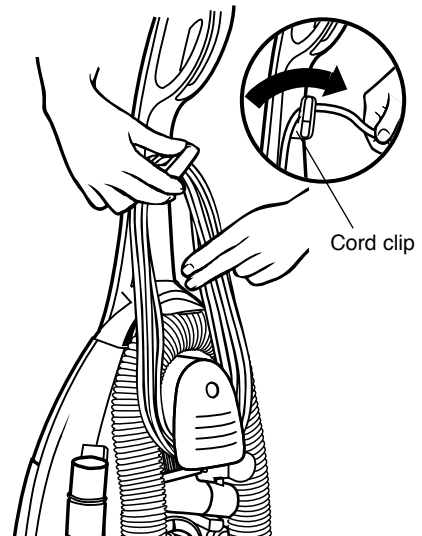


3) Place the hose under the hose clip. Push in to secure. **NOTE:** Always store the hose in the clockwise direction.

B) POWER CORD RELEASE / STORAGE



1) Turn the upper cord hook to the upright position and wind the power cord around the upper and lower cord hooks.



1) To release the power cord, turn the upper hook. Then set the power cord into the cord clip to help secure it during use.

NOTE: To reduce the risk of electric shock, this appliance has a polarized plug (one blade is wider than the other). This plug will fit in a polarized outlet in only one way. If the plug does not fit in the outlet, reverse the plug. If it still does not fit, contact a qualified electrician to install the proper outlet. Do not change the plug in any way.

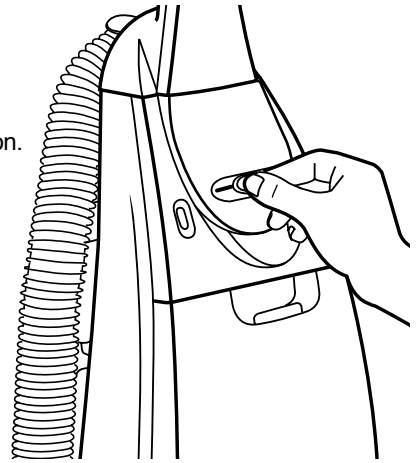
To avoid any possible damage to the power cord, never run over the cord or allow it to become caught in the beater bar.

C) ON / OFF SWITCH AND VARIABLE POWER CONTROL

The sliding button - located on the control panel - is used to switch the vacuum cleaner ON/OFF and vary the motor speed depending on the suction required.

To switch ON, slide the button sideways. By sliding the button further sideways, the power will gradually be increased.

To switch OFF, slide the button back until it clicks back into the "0" position.

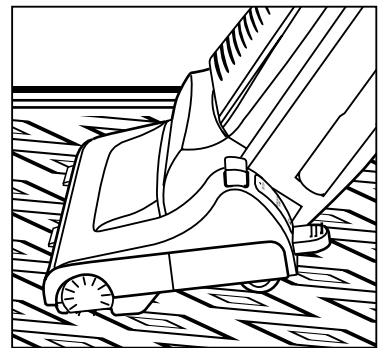
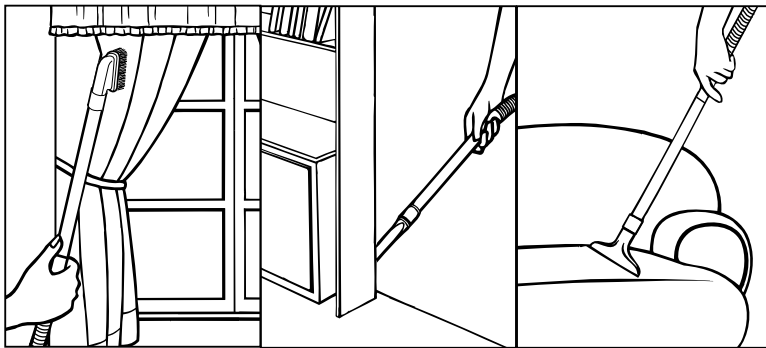


VARIABLE POWER CONTROL

This vacuum cleaner has a variable power control to select the most suitable power, according to your cleaning needs.

MIN.: To clean curtains and soft furnishings etc., with tool attached.

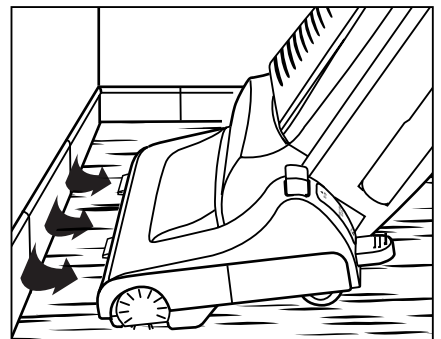
MAX.: To clean continuously with high suction.



D) FRONT EDGE CLEANING

Front Edge Cleaning System

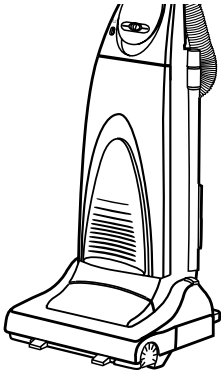
This cleaner features a Front Edge Cleaning System which automatically operates when the front of the cleaning head makes contact with a wall, furniture or a similar object.



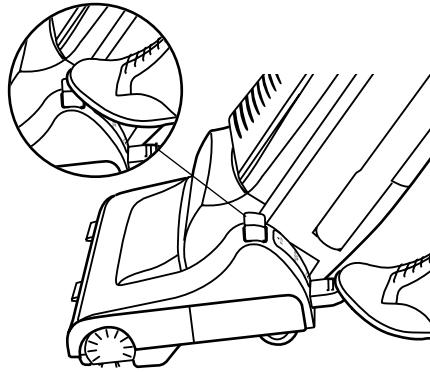
E) HANDLE HEIGHT AND BEATER BAR ADJUSTMENT

To lower the body of the cleaner, step on the foot pedal at the bottom left corner of the vacuum cleaner. Once the body is reclined, the brush will automatically start to rotate.

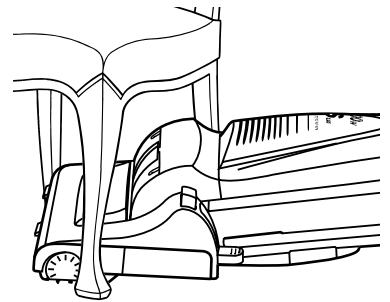
If you wish to stop the beater bar, simply return the cleaner into the upright position. In case you want to stop the beater bar while the cleaner is in the reclined position, push the beater bar stop pedal located on the left side of the cleaning head, just above the foot pedal.



1. Upright position
The body should be in an upright position when cleaning tools are used.



2. Middle position
For normal cleaning, press the foot pedal and pull back the handle to a comfortable angle. Release the pedal to lower the cleaning head.

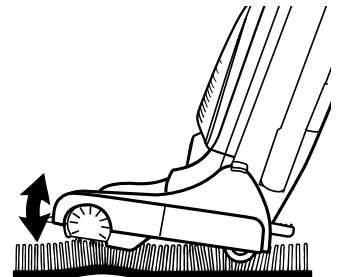
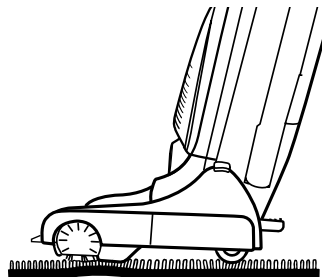


3. Low position
For cleaning under furniture, press the pedal a second time and lower the handle down to the floor as shown.

F) AUTOMATIC HEIGHT ADJUSTMENT

Your Miele vacuum cleaner has an **Automatic Height Adjustment**, feature which adjusts the cleaning head to the proper height of any carpet pile.

This system allows you to move from one carpeted area to another, without having to make manual adjustments.

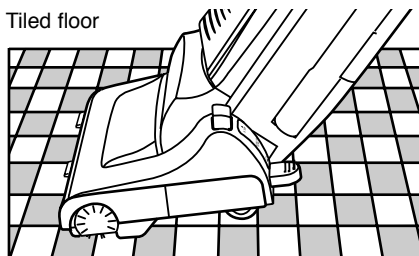


G) FLOOR SCRATCH PREVENTION

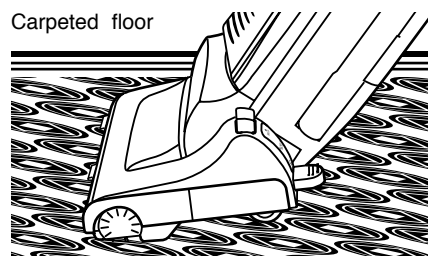
To prevent scratching floors while using the vacuum cleaner on tiled or polished floors, two small wheels are built into the base plate.

These two wheels also make it easy to slide the vacuum cleaner across carpeted floors.

Tiled floor



Carpeted floor



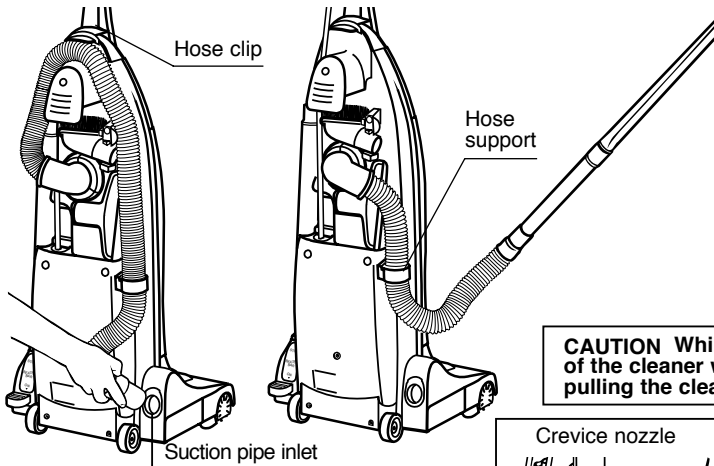
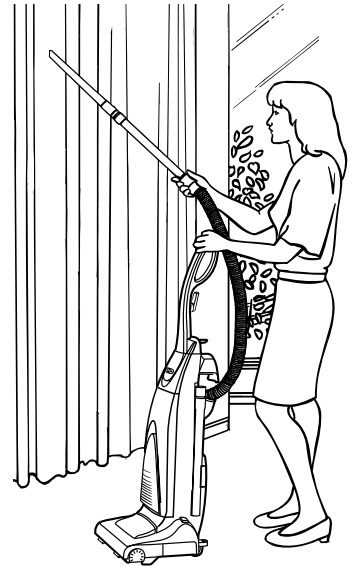
H) HOW TO USE THE ACCESSORIES

1) To use the accessories always keep the vacuum cleaner in the upright position.

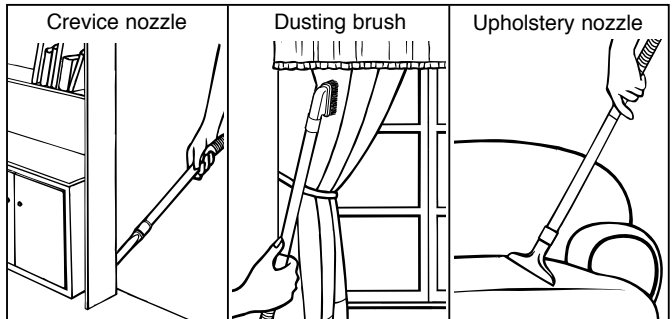
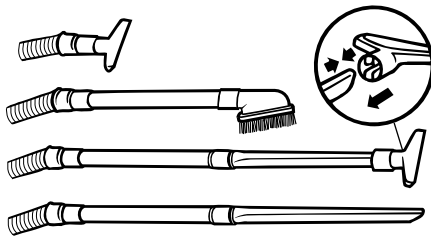
2) Pull out the hose from the suction pipe inlet and remove it from the hose clip. Then slide the hose through the hose support and connect any accessory as illustrated below.

Important: For a longer reach, remove the hose support from its fastening and hold the handle of the cleaner with one hand to avoid pulling the cleaner over.

NOTE: After finishing with the accessories, re-insert the hose in the suction pipe inlet and place it into the hose support.



CAUTION While using the accessories, hold the handle of the cleaner with one hand, as shown above, to avoid pulling the cleaner over.



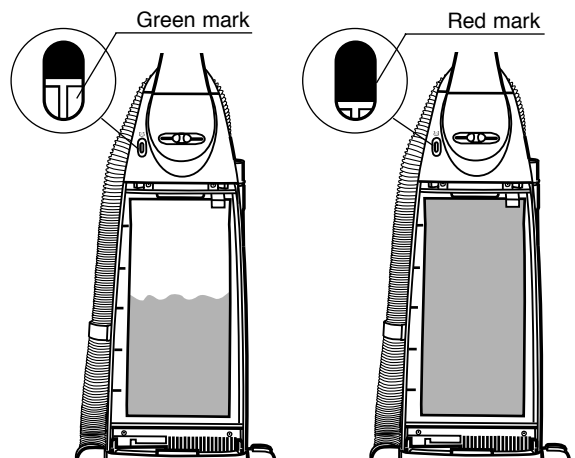
I) BAG CHECK INDICATOR

The bag change indicator is a visual aid to advise you of the condition of the dust bag. The GREEN mark indicates that the dust bag is still empty.

The RED mark will appear when airflow through the bag is insufficient. When this happens, check the dust bag, it may be full or blocked with fine dust and needs replacing.

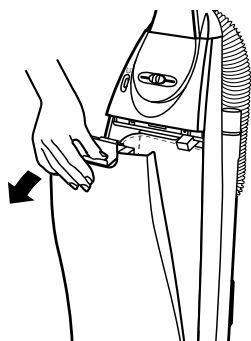
NOTE: If after replacing the bag, the RED indicator still appears in the window, check to see if the hose or suction inlet is clogged. (see BLOCKAGES).

When using the crevice nozzle the red mark may appear. This is due to reduced air flow and not an indication that the bag is full.

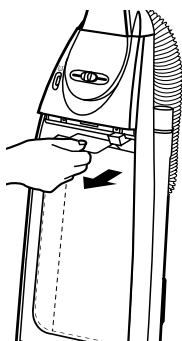


CAUTION: DISCONNECT THE CLEANER FROM THE OUTLET BEFORE PERFORMING THE OPERATIONS BELOW

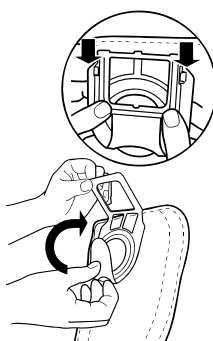
REPLACING THE DUST BAG



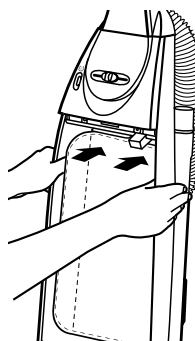
1) Push the release button on the dust cover as shown, and pull it forward.



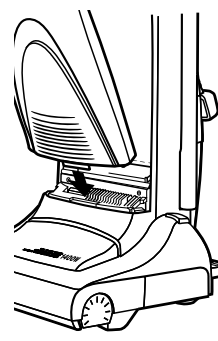
2) Grip the handle of the dust bag and pull out.



3) Close dust bag tab to avoid dust leakage and put it away.



4) Install the new dust bag by placing the hole over the exhaust port and pressing it into place as shown.



5) Replace the dust cover by inserting the tab into the body slot then push the top of the cover into place.

NOTE: If the dust bag is not installed correctly, the dust cover will not close.

We recommend the use of genuine Miele paper bags only; Part # 05294 741 Type Z

FILTER CARE

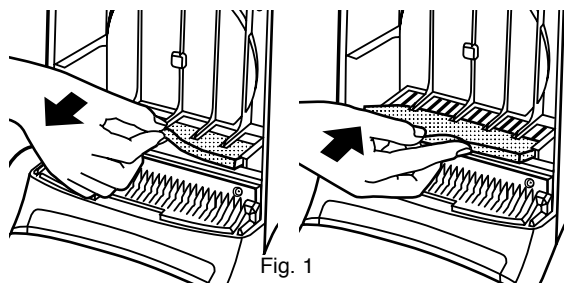


Fig. 1

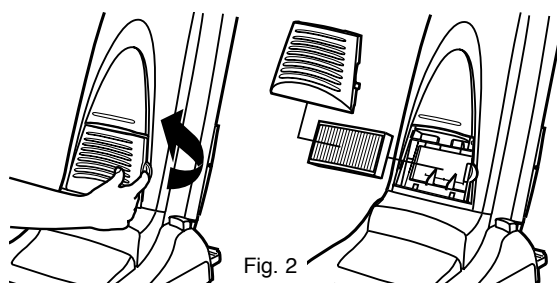


Fig. 2

In addition to the dust bag, the vacuum cleaner contains two filters; a central filter that protects the motor (Fig. 1) and a HEPA Filter, that removes particles from the exhausted air (Fig. 2).

The HEPA Filter should be changed every six months or whenever it becomes dirty. The central filter should be changed or rinsed out whenever the HEPA Filter is replaced.

CENTRAL FILTER (Fig. 1) Part # F03M1000

To remove, slide the central filter forward out of this housing.

IMPORTANT: If the central filter has been rinsed out, make sure it is dry before re-installing it.

HEPA FILTER (Fig. 2) Part # S02Z6000

To change the HEPA Filter, simply remove the exhaust cover as shown and replace the filter.

IMPORTANT: Do not forget to re-install the filters before use.

TROUBLE SHOOTING GUIDE

Before returning the vacuum cleaner to a Miele Service Center, check the following points:

TROUBLE	CHECK POINT	CAUSE / REMEDY
Motor fails to rotate (no noise is heard at all).	<ul style="list-style-type: none"> • Mains plug connection. 	<ul style="list-style-type: none"> • Mains plug is connected firmly and mains outlet is ON.
Motor runs but no suction.	<ul style="list-style-type: none"> • Hose inlet is blocked. • Check the bag change indicator. • Paper bag broken or clogged. • Central filter. 	<ul style="list-style-type: none"> • If there is clog, remove it. • If shows full, replace the paper bag. • If the paper bag is broken, replace it. • If the central filter is full of dust, clean or replace it.
Beater bar does not rotate.	<ul style="list-style-type: none"> • Beater bar / blocked. • Belt broken or loose. 	<ul style="list-style-type: none"> • If there is an obstruction, remove it. • If belt is broken replace it. If loose re-install it again.

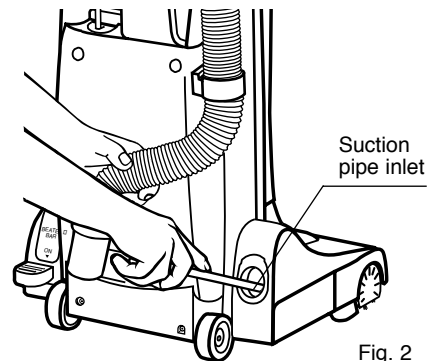
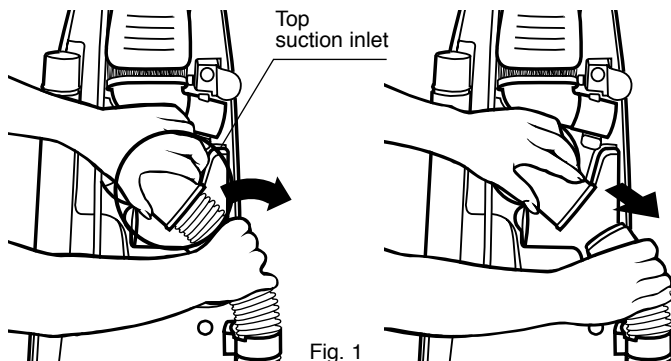
BLOCKAGES - UNPLUG THE MACHINE FROM THE WALL

If your vacuum stops picking up dust, or the Bag Change Indicator shows "Full" while the dust bag is still empty, a blockage may have occurred.

To remove the obstruction, proceed as follows:

Remove the hose from the top suction inlet by pushing the two small clips in turning the hose to the right and pulling it out (Fig. 1). Clear any obstruction from the hose or top suction inlet using a blunt implement, taking care not to damage the hose.

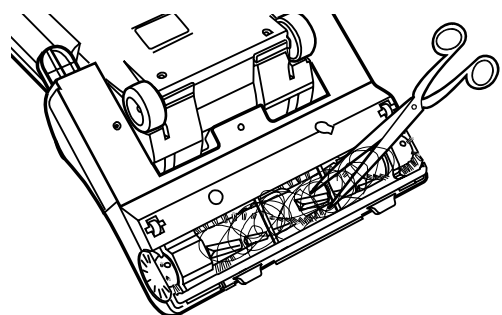
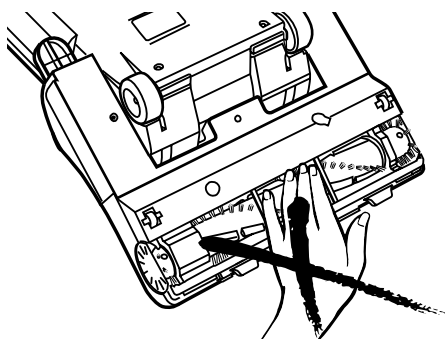
If the obstruction occurs in the suction pipe inlet, it can be removed as shown in Fig. 2.



MAINTENANCE FOR THE BEATER BAR

DO NOT USE YOUR FINGERS OR HANDS TO REMOVE OR CLEAN THE BEATER BAR.

When it is necessary to remove thread, string, hair, etc., which has wound around the beater bar, cut across them with a pair of scissors making sure not to cut the brush.



REPLACING PARTS

Use only genuine Miele replacement parts.

DISCONNECT THE CLEANER FROM THE ELECTRICAL SUPPLY.

If you have any questions, contact your local dealer / service agent.

Any service needed other than described in these Operating Instructions should be performed by a Miele Service Center only.

To replace any of the following parts, place the vacuum cleaner in the horizontal position by using the pedal. Then turn it over exposing the underside.

HOW TO REPLACE - DRIVE BELT (Part # S01Z6000) AND BEATER BAR ASSEMBLY (Part # R98M9064)

1. Remove the 5 screws from the base plate and lift it off. (Fig. 1)

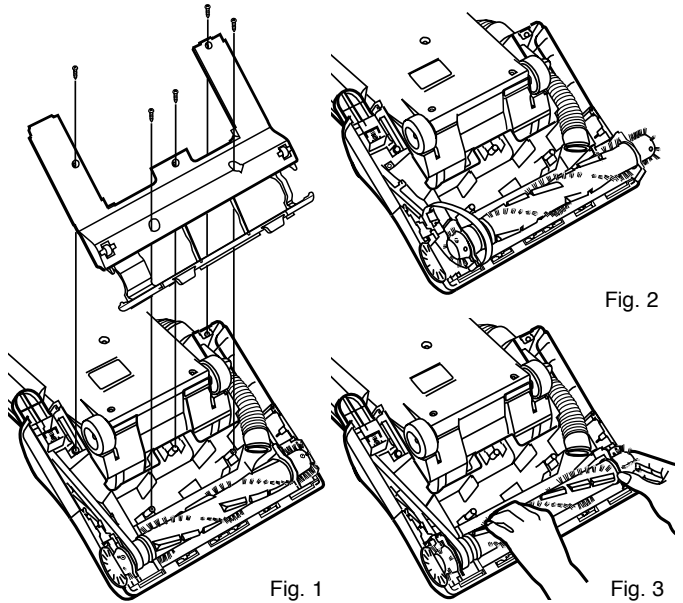
2. Release the belt from the motor shaft and lift the beater bar assembly to remove the belt. (Fig. 2)

3. To reassemble the beater bar assembly, simply return the belt to the motor shaft and beater bar pulley.

Re-insert the bar mounts into their holders, and turn the beater bar to ensure that the belt has been seated correctly. (Fig. 3)

IMPORTANT: Make sure the belt is correctly positioned in the selector lever.

4. Replace the base plate and re-fasten the screws securely.

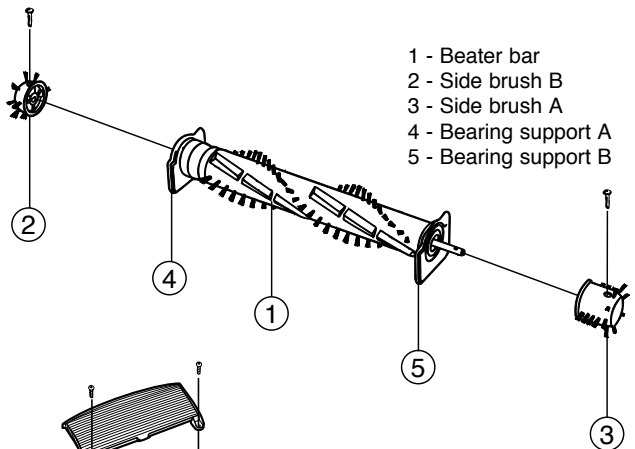


HOW TO REPLACE - BEATER BAR / SIDE BRUSHES / BEARING SUPPORT A-B

1. First remove the base plate, drive belt and lift out the beater bar assembly (as illustrated above).

2. Remove the 2 screws at both ends of the beater bar assembly and separate the different parts as shown in the exploded view.

3. Replace any damaged part and reassemble in reverse order.

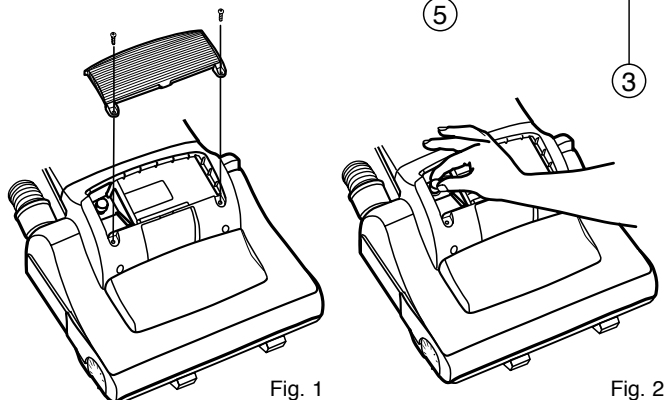


HOW TO REPLACE HEADLIGHT BULB

1. Loosen the 2 screws from the lens cover and remove it. (Fig.1)

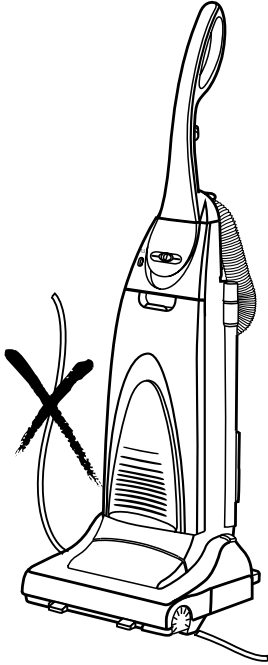
2. Remove the old bulb by simply pulling it forward, and replace it with a new one. (Consult your local dealer /Service agent for a suitable bulb) (Fig. 2)

3) Replace the lens cover and re-fasten the screws securely



CORD CARE

To avoid damaging the power cord, never run over the cord or allow it to become caught in the beater bar when using the vacuum cleaner.



Hold any excess cord in your free hand while vacuuming in order to avoid running over the cord.

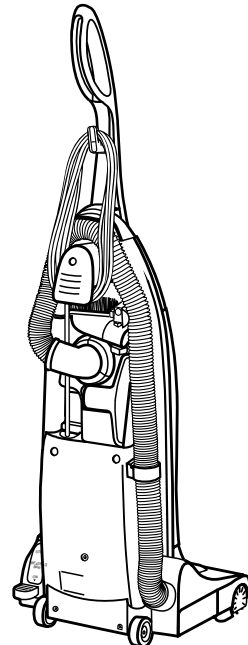


STORING THE APPLIANCE

To store the vacuum:

- 1) Return the vacuum cleaner to the upright position.
- 2) Turn off the vacuum cleaner.
- 3) Unplug it from the electrical supply.
- 4) Replace the hose and accessories.
- 5) Store the power cord as outlined in "POWER CORD STORAGE".

Store the cleaner away from heat sources, such as radiators, fires or direct sunlight.





National Headquarters

MIELE, INC.

**9 INDEPENDENCE WAY
PRINCETON, NJ 08540**

Phone: (609) 419-9898
or (800) 843-7231
Fax: (609) 419-4298

www.miele.com

Miele Design Centers

National Headquarters

Miele, Inc.

9 Independence Way
Princeton, NJ 08540
Phone: (609) 419-9898
Fax: (609) 419-4298

Southwest

Miele, Inc.

1400 Turtle Creek Boulevard
Suite 177
Dallas, TX 75207
Phone: (214) 752-9000
Fax: (214) 752-6307

MidWest

Miele, Inc.

554 Green Bay Road
Kenilworth, IL 60043
Phone: (800) 666-6740
Fax: (847) 256-1053

Southeast

Miele, Inc.

7680 Nort Federal Highway
Boca Raton, FL 33487
Phone: (800) 220-1744
Fax: (561) 995-8083

West Coast

Sierra Showroom
Sobel Building
680 Eighth Street
Suite 169-C
San Francisco, CA 94103
Phone: (415) 431-8682
Fax: (415) 431-8694

Southern California

Miele, Inc.

Southern California Showroom
189 North Robertson Blvd
Beverly Hills, CA 90211
Phone: (310) 855-9470
Fax: (310) 358-0238

New England

Miele, Inc.

New England Showroom
555 Washington Street
Wellesley, MA 02482
Phone: (781) 431-2225
Fax: (781) 431-0003
Toll free (Wellesley area only):
(877) 53 MIELE (64353)

Canadian Head Office

MIELE, LTD

55G East Beaver Creek Road
Richmond Hill
Ontario, L4B 1E5
Téléphone: (800) 565-6435
Téléphone: (905) 707-1171
Fax: (905) 707-0177

Showroom Locations

Quebec

Miele, Ltd

400 Laurier Ave, West
Suite 600
Montreal, Quebec H2V 2K7
Téléphone: (877) 635-4353
ou (514) 277-1818
Fax: (514) 277-1838

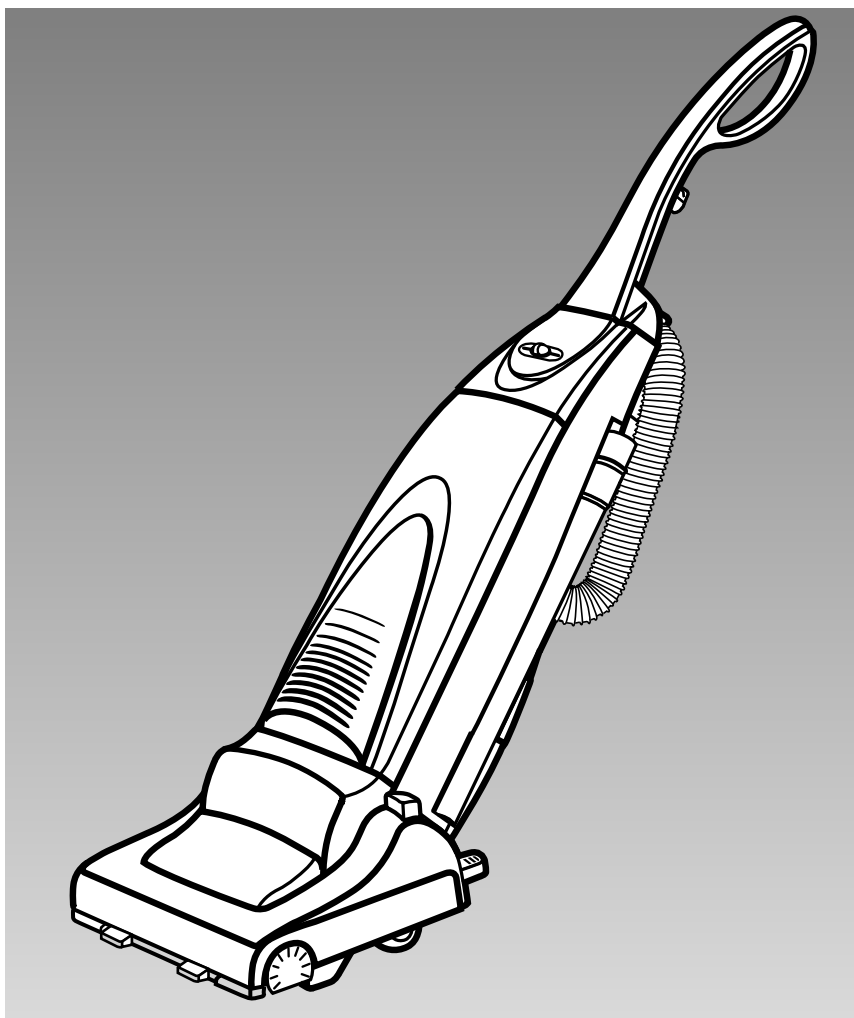
British Columbia

Miele, Ltd

1 Smithe Street
Vancouver, British Columbia
VGB 1C3
Téléphone: (604) 434-1300
Fax: (604) 434-1309

Instructions d'utilisation

Aspirateur
S185



Miele[®]

Veuillez lire attentivement ces instructions d'utilisation et prendre connaissance des consignes de sécurité avant d'utiliser cet appareil.

CONSIGNES DE SÉCURITÉ IMPORTANTES

Lorsque vous utilisez un aspirateur, vous devez toujours prendre des précautions essentielles, y compris ce qui suit.

LISEZ TOUTES LES INSTRUCTIONS AVANT D'UTILISER CET APPAREIL.

AVERTISSEMENT

Afin de réduire les risques d'incendie, de choc électrique ou de blessure:

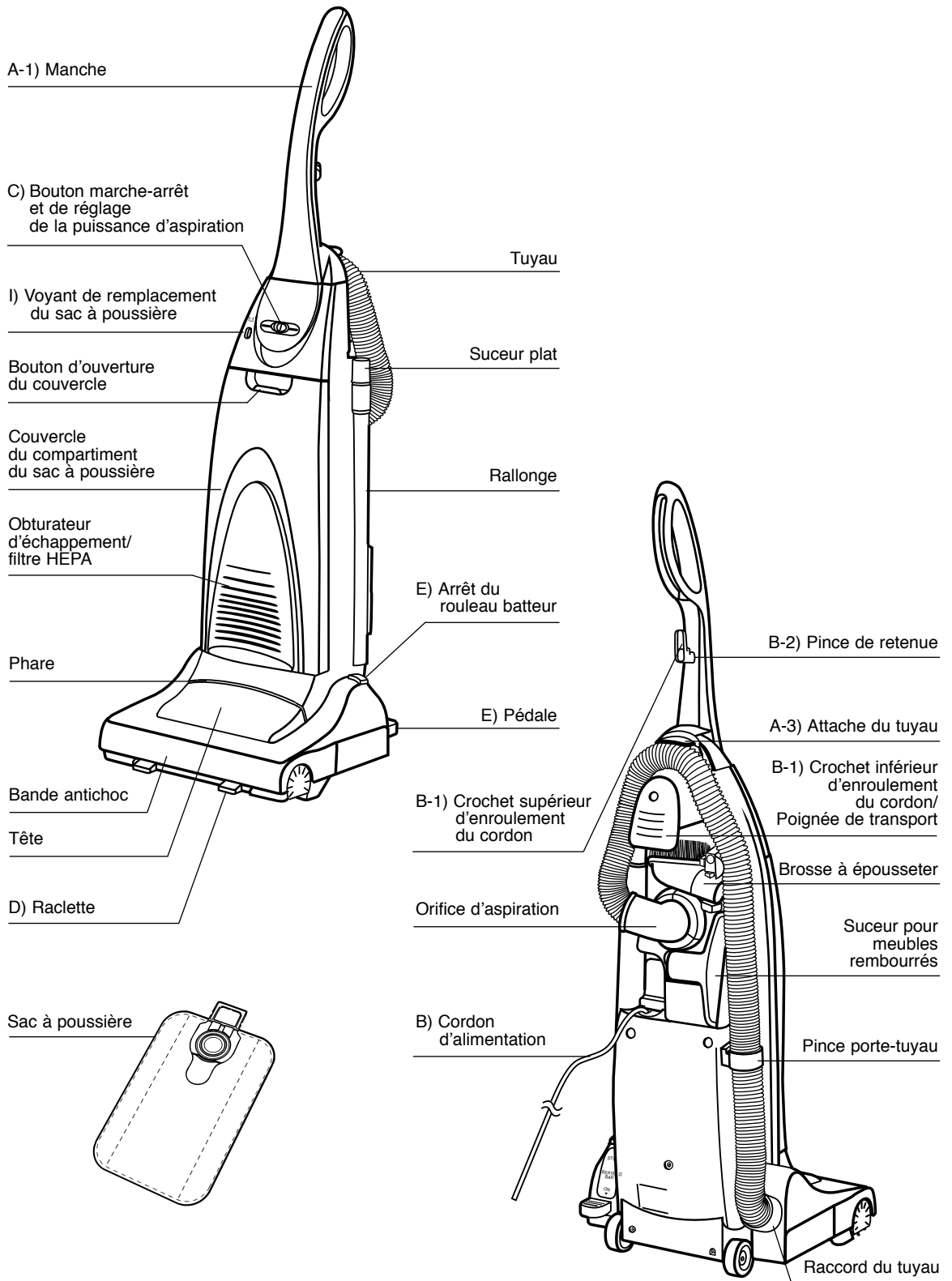
- Ne laissez pas l'appareil sans surveillance lorsqu'il est branché. Débranchez-le lorsque vous ne l'utilisez pas et avant de procéder à son entretien ou de le réparer.
- N'utilisez pas l'appareil à l'extérieur ou pour nettoyer des surfaces mouillées. Risque de choc électrique.
- Ne laissez pas les enfants jouer avec l'aspirateur. Si un enfant l'utilise ou si vous l'utilisez dans un endroit où se trouvent des enfants, soyez vigilant.
- Pour utiliser l'aspirateur, suivez uniquement les instructions d'utilisation contenues dans le présent manuel. N'utilisez que les accessoires recommandés par le fabricant.
- N'utilisez pas l'appareil si le cordon d'alimentation ou la fiche est endommagé. Si l'appareil ne fonctionne pas correctement, s'il a subi une chute ou un dommage, s'il a été laissé à l'extérieur ou s'il a été immergé, faites-le vérifier dans un centre de service technique.
- Ne tirez pas sur le cordon d'alimentation pour transporter l'appareil, n'utilisez pas le cordon d'alimentation comme poignée, ne fermez pas une porte sur le cordon d'alimentation, ne le passez pas sur des extrémités ou des recoins tranchants. Ne passez pas l'appareil sur le cordon d'alimentation. Veillez à ce que le cordon d'alimentation ne se trouve pas à proximité de surfaces chaudes.
- Ne tirez pas sur le cordon d'alimentation pour débrancher l'appareil. Pour le débrancher, tirez plutôt sur la fiche.
- Ne manipulez pas la fiche ou l'aspirateur avec les mains mouillées.
- Ne placez aucun objet les ouvertures. N'utilisez pas l'aspirateur si une des ouvertures est bloquée. Veillez à ce que poussière, peluches, cheveux ou autres n'obstruent pas l'aspirateur ou en réduisent le débit d'air.
- Veillez à ce que vos cheveux, vos vêtements - s'ils sont amples - vos doigts et toutes les autres extrémités de votre corps ne se trouvent pas à proximité des ouvertures et des parties mobiles de l'appareil.
- N'utilisez pas l'aspirateur pour ramasser un objet brûlant ou fumant, tel que cigarettes, allumettes ou cendres encore chaudes.
- Ne faites fonctionner l'aspirateur que si le sac à poussière et les filtres sont bien en place.
- Éteignez toutes les commandes avant de débrancher l'appareil.
- Redoublez de prudence lorsque vous nettoyez un escalier.
- N'utilisez pas l'appareil pour éponger des surfaces de liquides inflammables ou combustibles, tels que l'essence, ou dans des pièces où de tels liquides pourraient être entreposés.

CONSERVEZ CES INSTRUCTIONS

CET ASPIRATEUR A ÉTÉ CONÇU POUR UN USAGE DOMESTIQUE SEULEMENT.

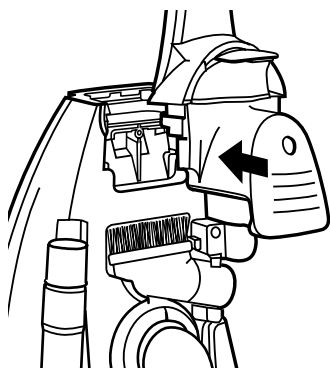
Remarque: Vérifiez la tension nominale de l'aspirateur avant de le brancher. La tension électrique de votre résidence doit correspondre à celle indiquée sur la plaque signalétique située derrière l'aspirateur.

PIÈCES PRINCIPALES

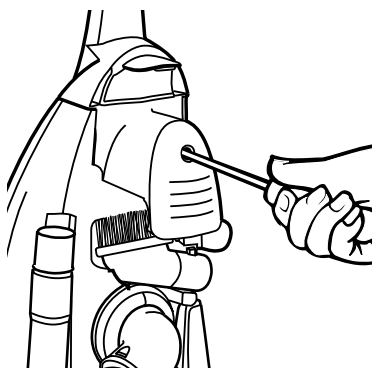


ASSEMBLAGE ET UTILISATION DE L'ASPIRATEUR

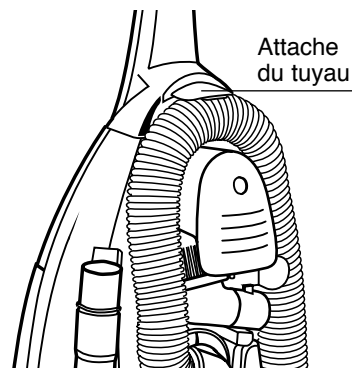
A) ASSEMBLAGE DU MANCHE



1) Alignez le manche et le corps de l'appareil comme dans l'illustration.

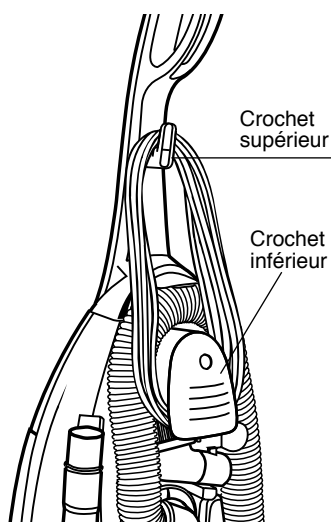


2) Insérez la base du manche dans la partie supérieure du corps de l'appareil. Poussez le manche et serrez la vis. La vis se trouve dans le même sac que les présentes instructions.
IMPORTANT: Ne serrez pas trop la vis.

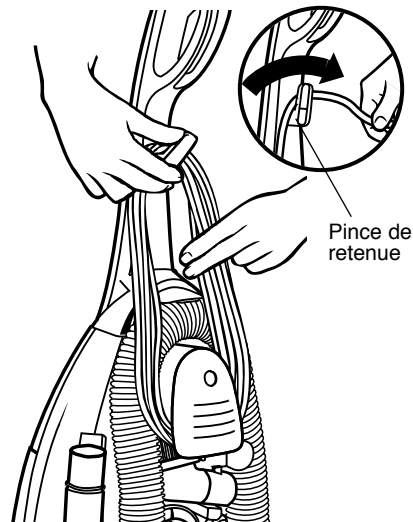


3) Insérez le tuyau sous l'attache. Poussez-le vers l'intérieur pour qu'il soit bien en place.
REMARQUE: Enroulez toujours le tuyau dans le sens des aiguilles d'une montre.

B) ENROULEMENT ET DÉROULEMENT DU CORDON D'ALIMENTATION



1) Tournez le crochet supérieur en position verticale et enroulez le cordon autour des crochets supérieur et inférieur.



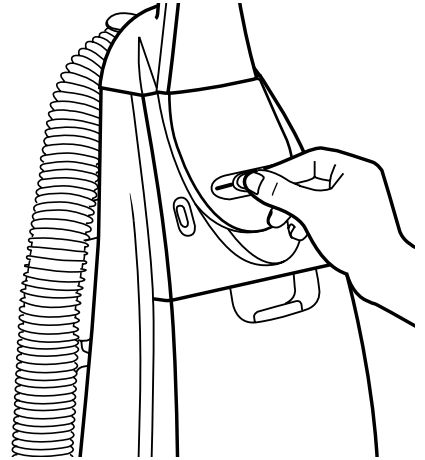
1) Tournez le crochet supérieur vers la droite pour dérouler le cordon. Pour que le cordon soit bien maintenu pendant l'utilisation, fixez-le au moyen de la pince de retenue.

NOTE: Afin de réduire le risque de choc électrique, cet appareil est muni d'une fiche polarisée (l'une des broches est plus large que l'autre). La fiche ne peut être insérée que d'un seul côté. Si vous n'arrivez pas à l'insérer entièrement dans la prise, retournez-la. Si vous ne pouvez toujours pas l'insérer même après l'avoir retournée, faites appel à un électricien qualifié pour faire installer une prise appropriée. Ne modifiez aucunement la fiche.

Pour éviter d'endommager le cordon, ne passez jamais l'aspirateur sur ce dernier et ne le laissez pas se prendre dans le rouleau batteur.

C) BOUTON MARCHÉ-ARRÊT / RÉGLAGE DE LA PUISSANCE D'ASPIRATION

Le curseur, situé sur le panneau de commande, sert à mettre l'aspirateur en marche ou à l'arrêter, et à régler la vitesse du moteur selon la puissance d'aspiration requise.
Pour mettre l'aspirateur **EN MARCHÉ**, glissez le curseur d'un côté ou de l'autre.
Si vous glissez le curseur plus loin, la puissance augmentera graduellement.
Pour **ARRÊTER** l'aspirateur, glissez le curseur jusqu'au cran de la position "0".

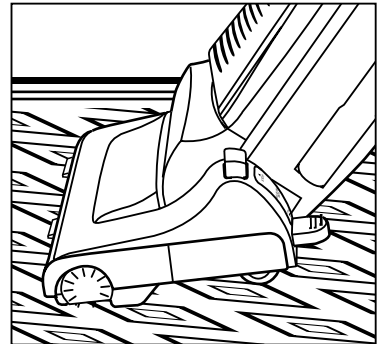
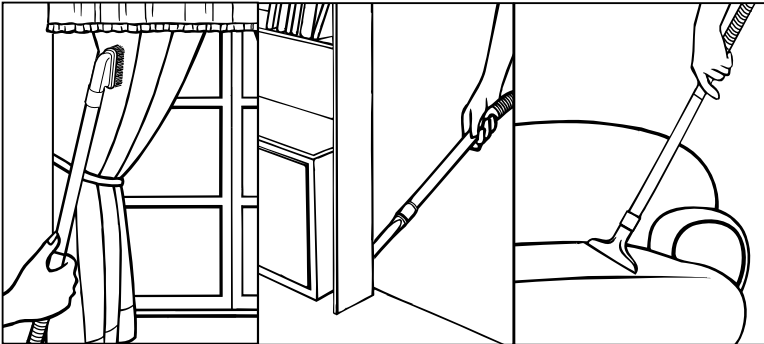


RÉGLAGE DE LA PUISSANCE

L'aspirateur est muni d'un bouton de réglage de la puissance vous permettant de choisir la puissance d'aspiration convenant à vos tâches de nettoyage.

MIN.: Pour nettoyer les rideaux et les meubles fragiles, etc., avec l'accessoire désiré.

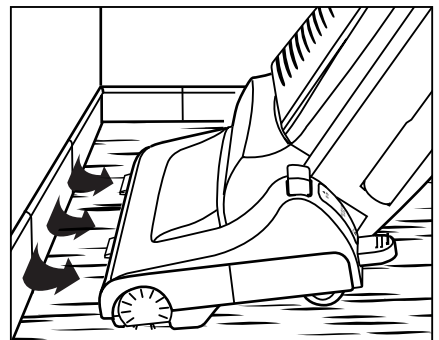
MAX.: Pour nettoyer constamment avec une puissance d'aspiration élevée.



D) NETTOYAGE DES RECOINS

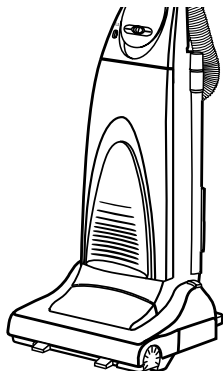
Système de nettoyage des recoins

Cet aspirateur est muni d'un système de nettoyage des recoins, une raclette, qui s'actionne automatiquement lorsque le devant de la tête de l'aspirateur entre en contact avec un mur, des meubles ou un objet semblable.

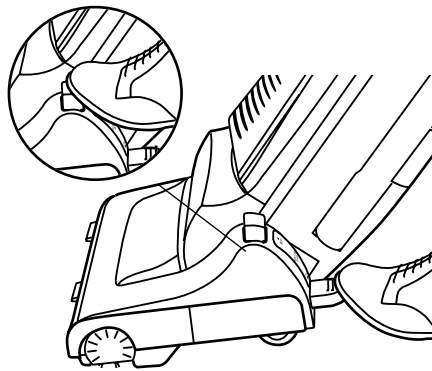


E) RÉGLAGE DE LA HAUTEUR DU MANCHE ET DU ROULEAU BATTEUR

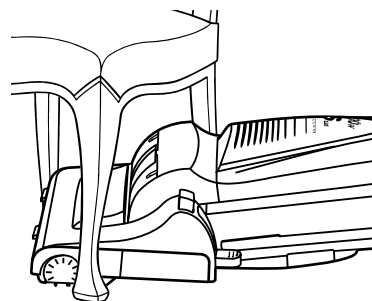
Pour abaisser le corps de l'aspirateur, appuyez avec le pied sur la pédale située du côté gauche, au bas de l'aspirateur. Une fois le corps incliné, la brosse rotative se mettra automatiquement à tourner. Si vous désirez arrêter le rouleau batteur, remettez tout simplement l'aspirateur en position verticale. Si vous désirez arrêter le rouleau batteur pendant que l'aspirateur est en position inclinée, appuyez sur la pédale d'arrêt du rouleau batteur située du côté gauche de la tête de l'aspirateur, au-dessus de la pédale.



1) Position verticale
L'aspirateur doit être en position verticale lorsque vous utilisez les accessoires.



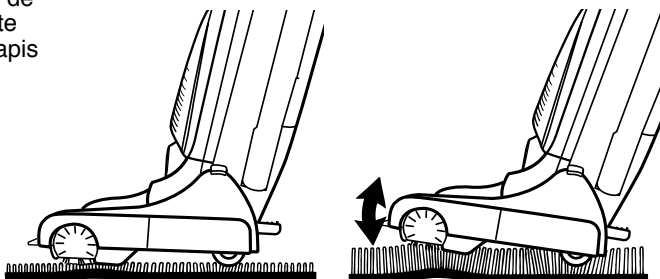
2) Position normale
Pour utiliser l'aspirateur normalement, appuyez sur la pédale et abaissez le corps jusqu'à l'inclinaison désirée, puis relâchez la pédale pour abaisser la tête.



3) Position horizontale
Pour nettoyer sous les meubles, appuyez sur la pédale une autre fois et abaissez le manche jusqu'au sol, comme dans l'illustration.

F) RÉGLAGE AUTOMATIQUE DE LA HAUTEUR

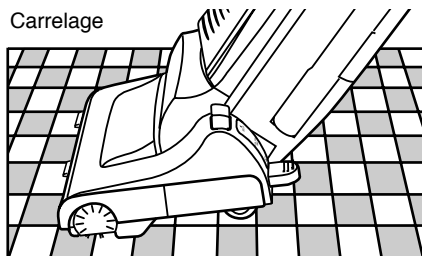
Votre aspirateur Miele est muni d'un dispositif de **réglage automatique de la hauteur** qui ajuste la hauteur de la brosse selon l'épaisseur du tapis à nettoyer. Ce dispositif vous permet de déplacer l'aspirateur d'un tapis à l'autre sans que vous ayez à régler manuellement la hauteur de la brosse.



G) POUR ÉVITER D'ÉGRATIGNER LES PLANCHERS

Pour éviter d'égratigner les planchers lorsque vous utilisez l'aspirateur sur des surfaces polies ou des carrelages, la base de l'aspirateur comprend deux petites roulettes. Ces deux roulettes facilitent également le passage de l'aspirateur sur les moquettes.

Carrelage



Moquette



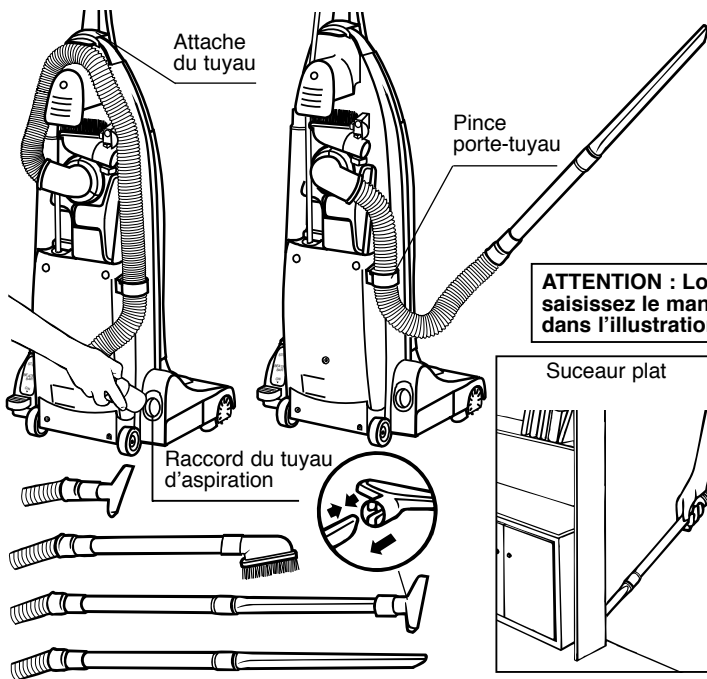
H) UTILISATION DES ACCESSOIRES

1) Lorsque vous utilisez les accessoires, mettez toujours l'aspirateur en position verticale.

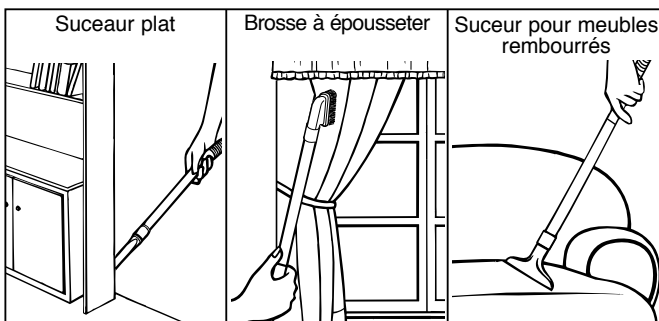
2) Retirez le tuyau du raccord et décrochez-le de l'attache. Glissez ensuite le tuyau dans la pince porte-tuyau et raccordez les accessoires, tel qu'illustré ci-dessous.

Important: Pour une plus longue portée du tuyau, enlevez la pince-porte tuyau de son dispositif de retenue et tenez le manche de l'aspirateur d'une main pour éviter de tirer l'aspirateur vers vous.

REMARQUE: Après avoir utilisé les accessoires, réinsérez le tuyau dans le raccord, puis dans la pince porte-tuyau et l'attache.



ATTENTION : Lorsque vous utilisez les accessoires, saisissez le manche de l'aspirateur d'une main, comme dans l'illustration, pour éviter que l'appareil ne se renverse.



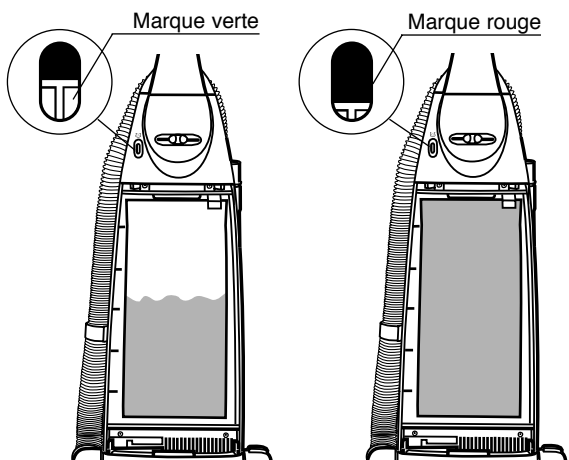
I) VOYANT DE REMPLACEMENT DU SAC À POUSSIÈRE

Le voyant de remplacement du sac à poussière indique quand le sac est plein et doit être remplacé. Si le voyant est VERT, cela indique que le sac n'est pas encore plein.

Si le voyant est ROUGE, c'est que le débit d'air dans le sac est devenue insuffisant, soit parce que le sac est plein, soit parce qu'il est obstrué par de la poussière fine. Le cas échéant, vous devez le changer.

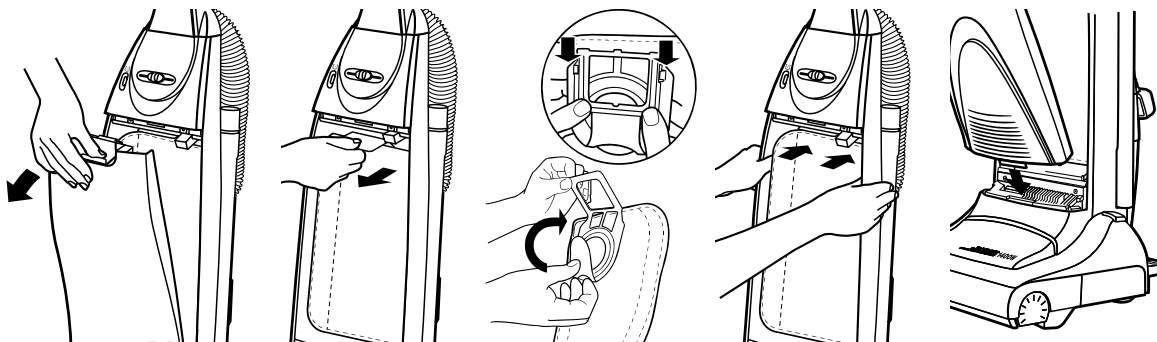
REMARQUE: Si, après avoir remplacé le sac, le voyant est toujours ROUGE, vérifiez que le tuyau ou l'orifice d'aspiration n'est pas obstrué. (Consultez la section OBSTRUCTIONS.)

Il se peut que le voyant devienne rouge lorsque vous utilisez le suceur plat. Cela indique que le débit d'air est réduit et non que le sac est plein.



ATTENTION: DÉBRANCHEZ L'APPAREIL DE LA PRISE DE COURANT AVANT D'EFFECTUER LES OPÉRATIONS SUIVANTES

REPLACEMENT DU SAC À POUSSIÈRE



1) Appuyez sur le bouton du couvercle du compartiment du sac à poussière, comme dans l'illustration, et tirez sur le couvercle.

2) Saisissez l'anse du sac et tirez.

3) Avant de jeter le sac, fermez-le avec la languette pour éviter que de la poussière s'en échappe.

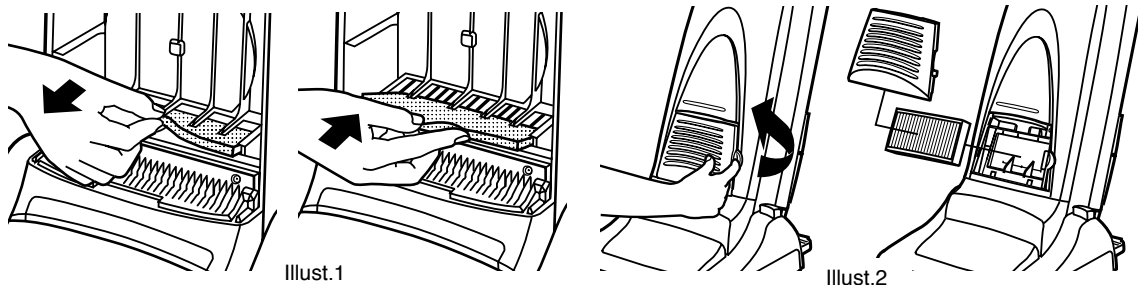
4) Installez le nouveau sac, le trou au-dessus de l'orifice d'échappement, en le poussant vers l'intérieur.

5) Remettez en place le couvercle du compartiment du sac à poussière en insérant l'ergot dans la fente du corps de l'appareil, puis poussez sur le haut du couvercle.

REMARQUE: Si vous n'avez pas inséré le sac à poussière correctement, vous ne pourrez pas fermer le couvercle du compartiment du sac à poussière.

Il est recommandé de n'utiliser que les sacs originaux de Miele, pièce n° 05294 741 Type Z

ENTRETIEN DES FILTRES



En plus du sac à poussière, cet aspirateur comprend deux filtres: un filtre central, qui protège le moteur, (Illust.1), et un filtre HEPA, qui retient les particules de poussière contenues dans l'air évacué, (Illust.2).

Le filtre HEPA devrait être remplacé tous les six mois ou lorsqu'il est sale. Le filtre central devrait être remplacé ou rincé chaque fois que vous remplacez le filtre HEPA.

FILTRE CENTRAL (Illust. 1)

Pièce no F03M1000

Pour enlever le filtre central, glissez-le pour le sortir de son compartiment.

IMPORTANT: Si vous avez rincé le filtre central, assurez-vous qu'il est bien sec avant de le réinstaller.

FILTRE HEPA (Illust. 2)

Pièce no S02Z6000

Pour changer le filtre HEPA, enlevez tout simplement le couvercle tel qu'indiqué dans l'illustration et remplacez le filtre.

IMPORTANT: N'oubliez pas de réinstaller les filtres avant d'utiliser à nouveau votre aspirateur.

GUIDE DE DÉPANNAGE

Avant d'envoyer l'aspirateur à un centre de service Miele, vérifiez les points suivants:

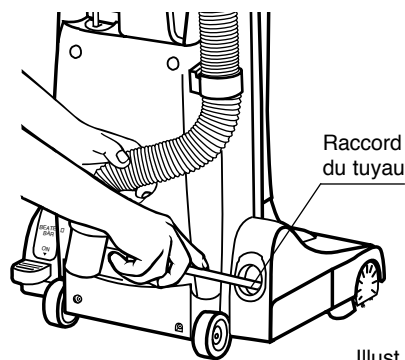
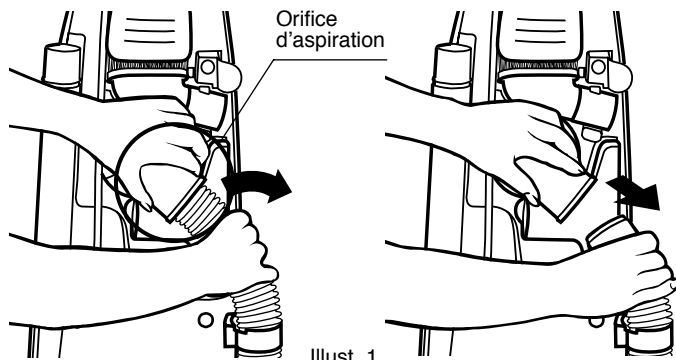
PROBLÈME	À VÉRIFIER	CAUSE / SOLUTION
Le moteur ne tourne pas (aucun bruit).	<ul style="list-style-type: none"> • Branchement du cordon. 	<ul style="list-style-type: none"> • Assurez-vous que l'appareil est correctement branché et que la prise est sous tension.
Le moteur tourne, mais l'appareil n'aspire pas.	<ul style="list-style-type: none"> • L'orifice d'aspiration est bouché. • Vérifiez le voyant de remplacement du sac à poussière. • Le sac à poussière est percé ou bouché. • Filtre central. 	<ul style="list-style-type: none"> • S'il y a obstruction, enlevez-la. • S'il indique que le sac est plein, remplacez le sac. • S'il est percé, remplacez-le. • Si le filtre central est plein de poussière, nettoyez-le ou remplacez-le.
Le rouleau batteur ne tourne pas.	<ul style="list-style-type: none"> • La rotation est entravée. • La courroie s'est rompue ou s'est détachée. 	<ul style="list-style-type: none"> • S'il y a obstruction, enlevez-la. • Si la courroie s'est rompue, remplacez-la. Si elle s'est détachée, remettez-la en place.

OBSTRUCTIONS – DÉBRANCHEZ L'APPAREIL

Si votre aspirateur n'aspire plus la poussière, ou si le voyant de remplacement du sac à poussière indique que le sac est plein alors qu'il est vide, il peut y avoir obstruction.

Pour y remédier, procédez comme suit :

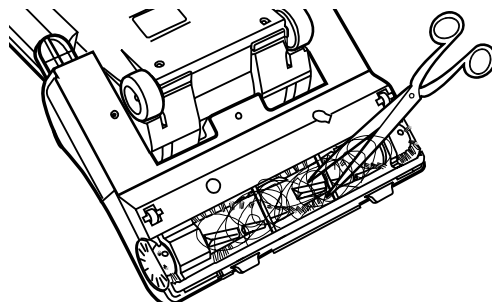
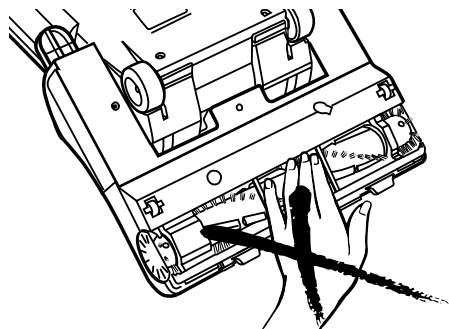
Détachez le tuyau de l'orifice d'aspiration en appuyant sur les deux pinces et en tournant le tuyau vers la droite puis en le tirant vers le bas (Illust. 1). Débouchez le tuyau ou l'orifice d'aspiration à l'aide d'un outil non pointu en prenant garde de ne pas endommager le tuyau. Si l'obstruction se trouve dans le raccord du tuyau, vous pouvez y remédier, tel qu'indiqué à l'illustration 2.



ENTRETIEN DU ROULEAU BATTEUR

NE VOUS SERVEZ PAS DE VOS MAINS OU DE VOS DOIGTS POUR NETTOYER OU ENLEVER LE ROULEAU.

Pour enlever les fils, la ficelle, les cheveux, etc. qui sont enroulés autour du rouleau batteur, coupez-les d'abord avec des ciseaux en prenant soin de ne pas couper la brosse.



ENTRETIEN

Utilisez uniquement des pièces de rechange originales de marque Miele.

DÉBRANCHEZ L'ASPIRATEUR DE LA PRISE DE COURANT.

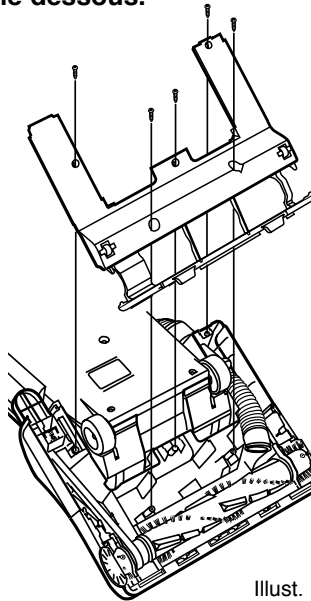
Si vous avez des questions, communiquez avec votre détaillant local ou votre technicien de service.

Toute intervention de service nécessaire, autre que celles décrites dans le présent manuel d'instructions, doit uniquement être confiée à un centre de service Miele.

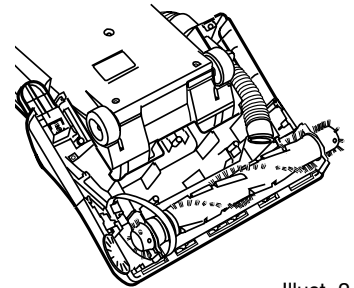
Pour réparer les pièces suivantes, mettez l'aspirateur à l'horizontale à l'aide de la pédale. Ensuite, retournez-le pour en exposer le dessous.

REPLACEMENT DE LA COURROIE (Pièce n° S01Z6000) ROULEAU BATTEUR (Pièce n° R98M9064)

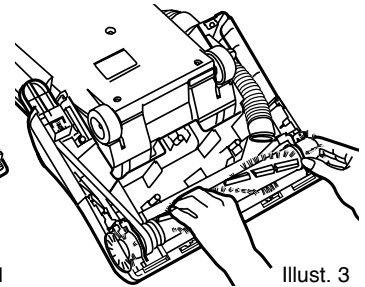
1. Enlevez les cinq vis de la base et soulevez-la (Illust. 1).
 2. Enlevez la courroie de l'axe du moteur et soulevez le rouleau pour enlever la courroie (Illust. 2).
 3. Pour réassembler le rouleau batteur, replacez tout simplement la courroie autour du rouleau et de l'axe du moteur. Remettez le rouleau dans ses supports et faites-le tourner pour vous assurer que la courroie est bien en place (Illust. 3).
- IMPORTANT:** Assurez-vous que la courroie est bien en place dans le levier sélecteur.
4. Remettez la base et resserrez les vis.



Illust. 1



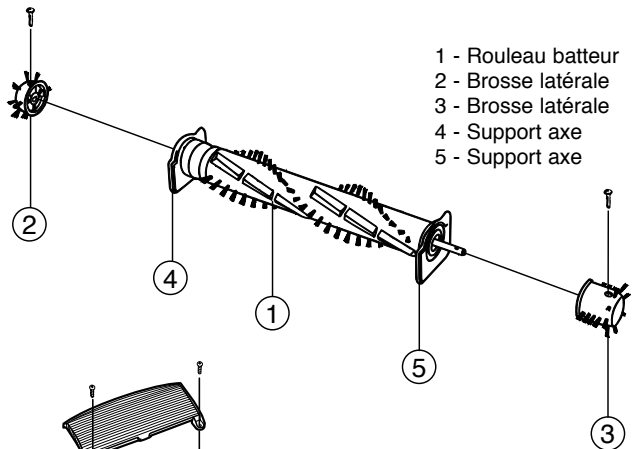
Illust. 2



Illust. 3

REPLACEMENT DU ROULEAU BATEUR / DE LA BROSSÉ LATÉRALE / DU SUPPORT AXE A-B

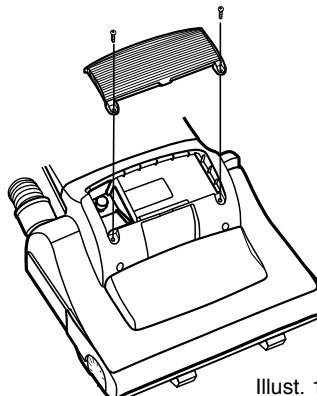
1. Enlevez d'abord la base, détachez la courroie et enlevez le rouleau, comme illustré.
2. Enlevez les deux vis des extrémités du rouleau et séparez les différentes parties tel qu'indiqué dans l'agrandissement.
3. Remplacez toute pièce endommagée et remontez le tout en sens inverse.



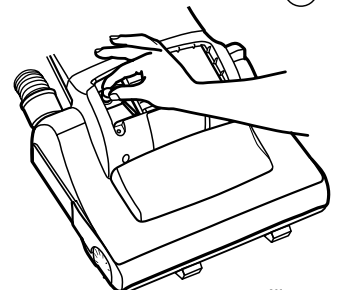
- 1 - Rouleau batteur
- 2 - Brosse latérale
- 3 - Brosse latérale
- 4 - Support axe
- 5 - Support axe

REPLACEMENT DE L'AMPOULE DU PHARE

1. Desserrez les deux vis du couvercle et enlevez-le (Illust. 1).
2. Enlevez l'ampoule brûlée simplement en tirant dessus et remplacez-la par une nouvelle (Illust. 2).
(Consultez votre détaillant local ou technicien de service pour vous renseigner sur le genre d'ampoule dont vous avez besoin)
3. Replacez le couvercle et resserrez les vis.



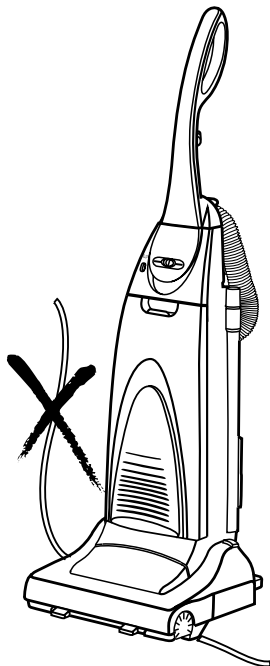
Illust. 1



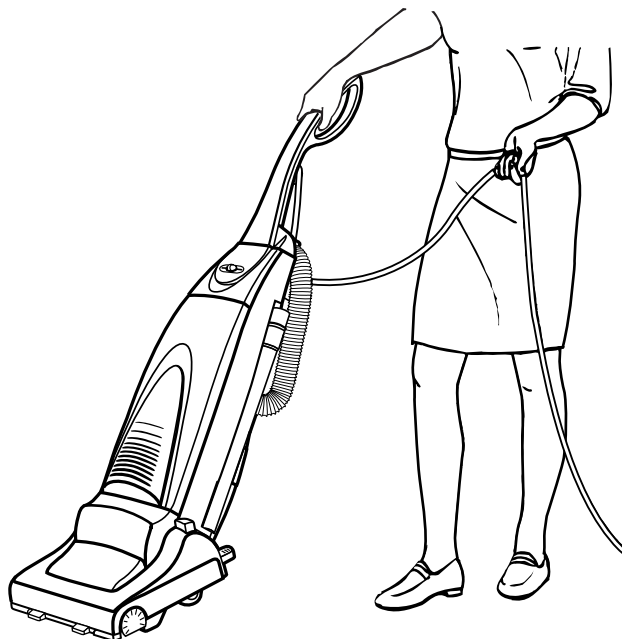
Illust. 2

PRÉCAUTIONS CONCERNANT LE CORDON

Pour éviter d'endommager le cordon d'alimentation, ne passez pas l'aspirateur sur ce dernier et ne le laissez pas se prendre dans le rouleau batteur.



Pour éviter de passer l'aspirateur sur le cordon pendant l'utilisation, tenez-le de votre main libre.

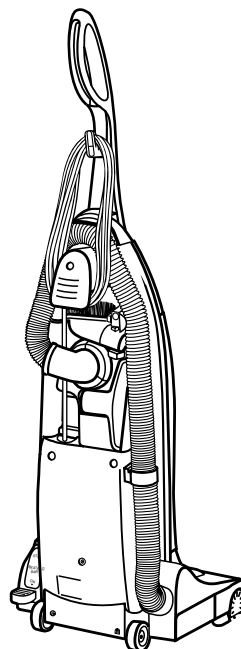


RANGEMENT DE L'APPAREIL

Pour ranger l'aspirateur:

- 1) Remettez l'aspirateur en position verticale.
- 2) Arrêtez l'aspirateur.
- 3) Débranchez l'appareil de la prise de courant.
- 4) Remettez le tuyau et les accessoires à leur place.
- 5) Enroulez le cordon selon les instructions de la section "Enroulement et déroulement du cordon".

Rangez l'aspirateur loin des sources de chaleur comme les radiateurs, les feux, les rayons du soleil.





Miele Limitée

Siège social au Canada

55G, East Beaver Creek Road
Richmond Hill (Ontario) L4B 1E5

Téléphone : (800) 643-5381
(905) 707-1171

Télécopieur : (905) 707-0177

www.miele.ca

info@miele.ca (questions générales)

professional@miele.ca (questions commerciales)

Service à la clientèle – Mielecare (Canada)

Téléphone : (800) 565-6435
(905) 850-7456

Télécopieur : (905) 850-6651

service@miele.ca (Service technique)