

Miele®

Operating instructions for vacuum cleaner

Flamenco



CARING FOR THE ENVIRONMENT

This paper is manufactured from straw
cellulose.

Straw is a natural agricultural residue from
cereal production and its use in paper helps
to save more trees.

USA

T.-Nr. 3795670

IMPORTANT SAFETY INSTRUCTIONS

When using an electrical appliance, basic precautions should always be followed, including the following:

READ ALL INSTRUCTIONS BEFORE USING THIS APPLIANCE

WARNING -

To reduce the risk of fire, electric shock, or injury:

- Check the voltage rating of the vacuum cleaner before connecting the power cord to an electrical outlet. Your power source should correspond with the voltage rating given on the rating plate located on the underside of the vacuum cleaner. Use only household AC outlets. Never use DC power sources. If you are unsure of the voltage supply in your area, consult a qualified electrician. Connection of the vacuum cleaner to a higher voltage than indicated in these instructions may result in damage to the vacuum cleaner and personal injury.
- Do not leave the appliance when plugged in. Unplug from the outlet when not in use and before servicing.
- Do not use outdoors or on wet surfaces.
- Do not allow the vacuum cleaner to be used as a toy. Close attention is necessary when used by or near children.
- Use only as described in this manual. Use only manufacturer's recommended attachments.
- Do not use with damaged cord or plug. If the appliance is not working as it should, has been dropped, damaged, left outdoors, or immersed in water, return it to a service center.
- Do not pull or carry by the cord, use the cord as a handle, close a door on the cord, or pull the cord around sharp edges or corners. Do not run the appliance over the cord. Keep the cord away from heated surfaces.
- Do not unplug by pulling the cord. To unplug, grasp the plug, not the cord.
- Do not handle the plug or appliance with wet hands.
- Do not put any objects into the openings. Do not use with any opening blocked; keep free of dust, lint, hair, and anything that may reduce air flow.
- Keep hair, loose clothing, fingers, and all parts of the body away from openings and moving parts.
- Do not pick up anything that is burning or smoking, such as cigarettes, matches, or hot ashes.
- Do not use without the dustbag and/or filters in place.
- Turn off all controls before unplugging.

- Use extra care when cleaning on stairs.
- Do not use to pick up flammable or combustible liquids, such as gasoline, or use in areas where they may be present.
- When using this appliance in conjunction with a motorized nozzle and a current-carrying hose:
 - The hose contains electrical wires. Do not use if damaged, cut, or punctured. Avoid picking up sharp objects.
 - Always turn off this appliance before connecting or disconnecting either the hose or the motorized nozzle.
- This appliance is equipped with a power cord reel:
 - Hold the plug when rewinding onto the cord reel. Do not allow the plug to whip when rewinding.
- When using this appliance in conjunction with the Turbobrush:
 - Always unplug before connecting.
- Use only attachments specified by the manufacturer. Do not use the blower to operate paint sprayers or similar devices that emit volatile or toxic vapors.
- The vacuum cleaner shuts off automatically by thermostatic control if it overheats. Overheating could be due to a clogged hose, a heavily soiled dust compartment or exhaust filter, or a full dustbag. If this occurs, rectify the problem and wait about 15 minutes for the motor to cool down. The vacuum cleaner can then be switched on again.
- Do not switch on or attempt to operate the vacuum cleaner unless a dustbag and dust compartment and exhaust filters are in place. Use only genuine MIELE double-layer dustbags and filters (see 'Maintenance' for instructions on how to insert the dustbag and filters). If no dustbag has been inserted, the dust compartment cover cannot be closed.

DO NOT USE FORCE!

WARNING:

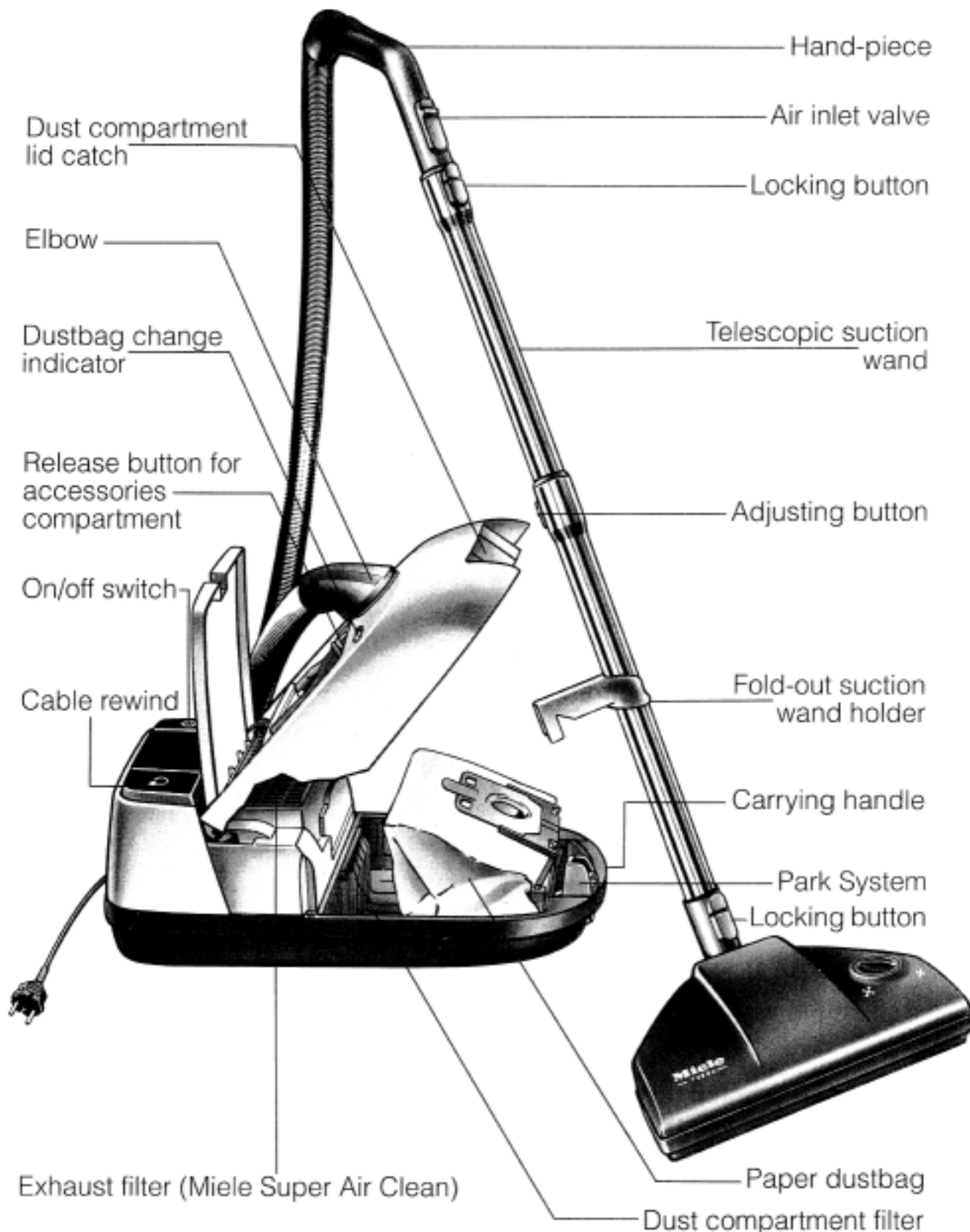
Electric shock could occur if the vacuum cleaner is used outdoors or on wet surfaces.

- Always switch off the vacuum cleaner and disconnect the plug from the wall outlet before servicing (see 'Maintenance'). Do not attempt any other repairs. Other servicing should be performed by an authorized Service Agent.
- Protect your vacuum cleaner from heat and moisture. Store in a cool, dry place, away from children and household traffic.

SAVE THESE INSTRUCTIONS

THIS APPLIANCE IS INTENDED STRICTLY FOR HOUSEHOLD USE ONLY

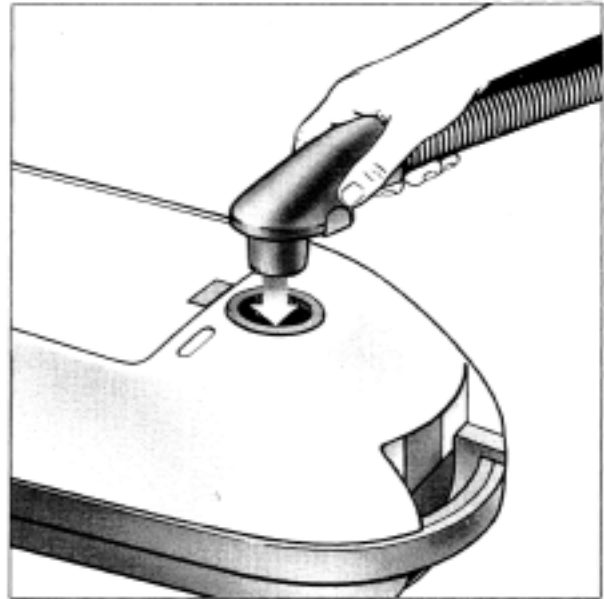
Description of the appliance



Assembling the vacuum cleaner

Connecting the suction hose to the vacuum cleaner

- Insert the "elbow" hose coupler into the suction opening, as shown, until it snaps into position.
- To disconnect the hose from the vacuum cleaner, press the locking buttons on the "elbow" and lift out of the suction opening.



Connecting the telescopic suction wand to the suction hose

- Fit the hand-piece of the suction hose firmly together with the suction wand.
- To release the hand-piece from the suction wand, press the locking button (see arrow).



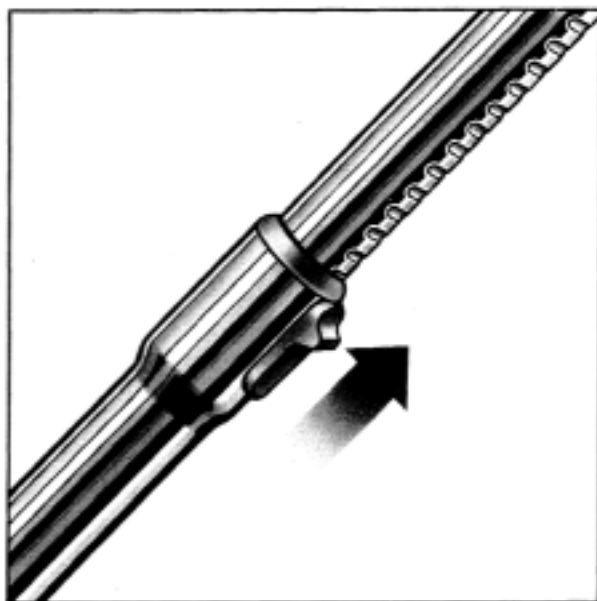
Assembling the vacuum cleaner

Adjusting the telescopic wand

The telescopic wand has two interconnected parts that can be adjusted to suit your height for convenient vacuum cleaning.

To adjust:

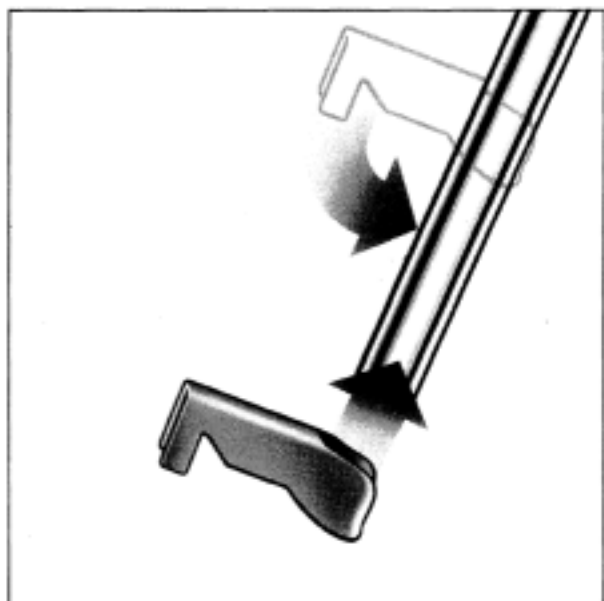
- Pull the adjusting button and adjust the telescopic wand to the desired length.



Attaching the telescopic wand holder

Attach the retractable wand holder to the telescopic suction wand and fold down.

In the unfolded position of the wand holder, the wand complete with suction hose and floor nozzle may be inserted into the receptacle on the carrying handle for convenient transportation and storage (see P. 16).



Assembling the vacuum cleaner

Attaching the floor attachment or the Turbobrush

For the day-to-day cleaning of low-pile carpets and hard floor coverings such as parquet, tiles and linoleum, it is recommended to use the floor attachment.

- Attach the floor attachment to the suction tube. The locking mechanism must be heard to click into place.
- Press the button indicated by the arrow in the illustration and pull to remove the attachment after use.



For the thorough cleaning of rugs and carpets, the use of the Turbobrush is recommended. For further details, please refer to the separate set of operating instructions provided.



Standard accessories

Two other nozzles in addition to the floor nozzle are supplied with the vacuum cleaner to comply with various suction requirements:

- crevice nozzle
- upholstery nozzle

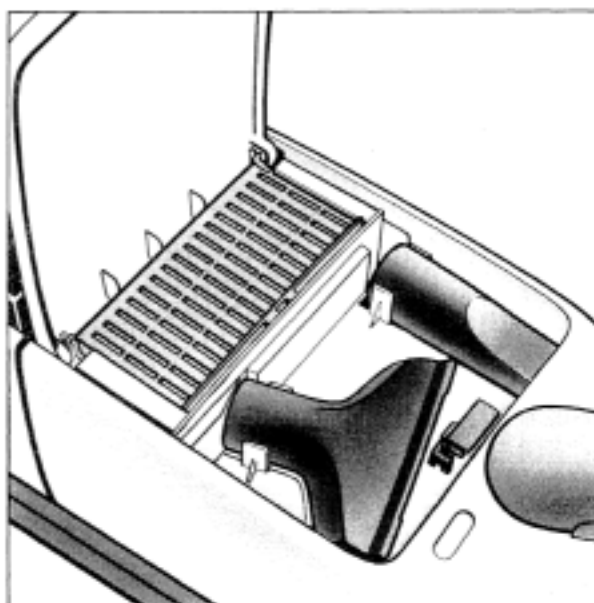
These accessories are stored in a special compartment of the vacuum cleaner.

- Press the locking button.



- Open the lid.

These different nozzles can either be fitted to the hand-piece or, if necessary, to the telescopic suction wand.



Standard accessories

Crevice nozzle

For cleaning folds, crevices and corners.



Upholstery nozzle

For cleaning upholstery, mattresses, cushions, curtains, clothing, etc.



Dusting brush

For cleaning skirting boards, ornate or carved articles, etc.

The head of the dusting brush can be swivelled to attain the best cleaning position.



Optional extras

Cloth dustbag

The cloth bag is easily emptied and shaken out by removing the pinch-bar.

Do not wash the dustbag as this will restrict the air flow capacity of the bag.

All dustbags are available from your dealer.



Radiator brush

For cleaning radiators, narrow shelves or crevices.

- Fit the radiator brush to the crevice nozzle.



Universal brush

For dusting books, shelves, etc.



Unwinding and rewinding the cable

Unwinding

- Hold the plug and unwind the cable to the required length (max. 21 ft.)



Rewinding

- Press the rewind button; the cable will rewind automatically.



Operation

Switching the vacuum cleaner on and off

To switch the vacuum cleaner on or off:

- Depress the foot switch

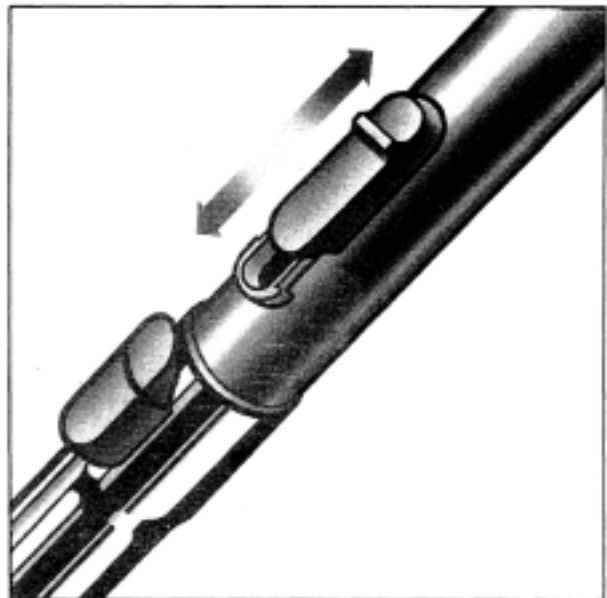
When in operation, the vacuum cleaner can be moved on its rollers or stood on end, when stairs or curtains are being cleaned.



Suction regulator (Air inlet valve)

For quick and easy reduction of suction power, as needed when cleaning curtains, drapes and light-weight area rugs:

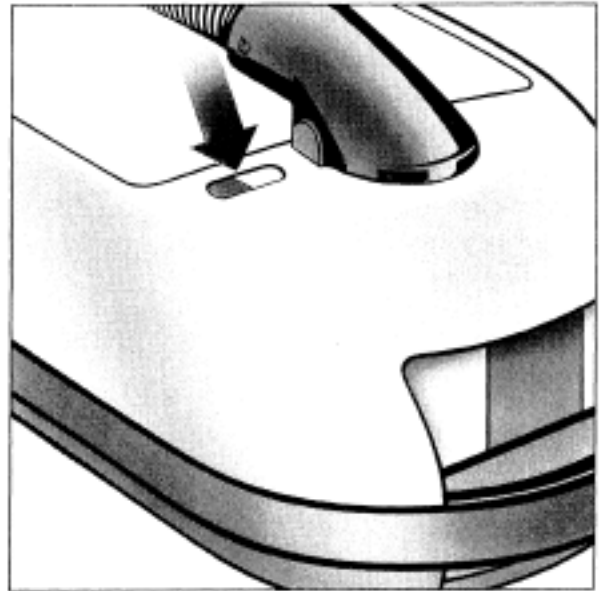
- To avoid rugs, drapes, etc., from getting sucked up.
- Only open the suction regulator until the suction nozzle can be easily moved.



Dustbag change indicator

This indicates when the dustbag needs changing.

When the red mark on the dustbag change indicator covers the window completely, change the dustbag, even if it does not seem completely full.

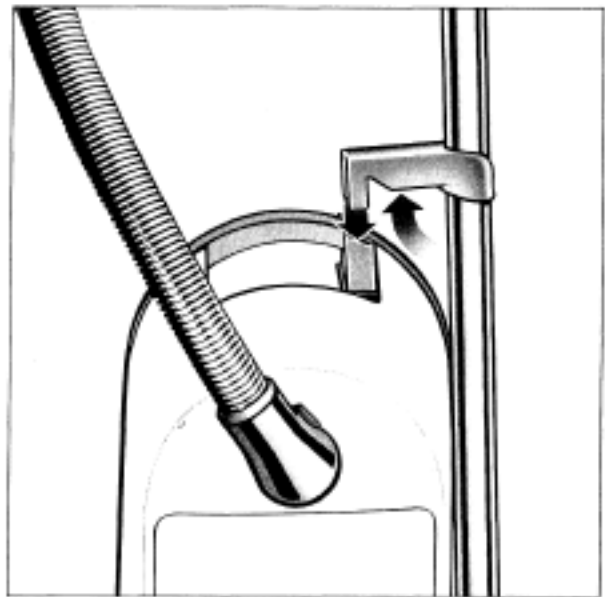


Transport & storage

During transportation, when not in operation and during storage:

- Place in a vertical position.
- Push down the retractable wand holder on the telescopic suction wand and insert into the vacuum cleaner.

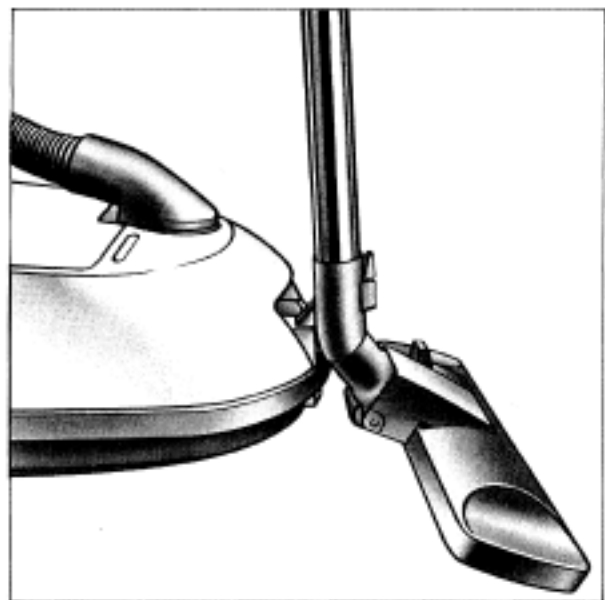
The wand holder can be moved as desired.



Park System

A Park System has been designed for conveniently parking the vacuum cleaner during pauses. A special parking attachment is fitted to the floor nozzle and to the nose of the cleaner.

The floor attachment illustrated on the right is a special accessory and is not supplied with the vacuum cleaner.



The vacuum cleaner is fitted with three filters which must be replaced regularly in order to guarantee proper suction efficiency:

- Dustbag (paper filter bag)
Part No. 1391531
- Dust compartment filter
- Exhaust filter (Miele Super Air Clean filter)

Replacement filters can be obtained from your local MIELE dealer.

Change the dust compartment and exhaust filter each time you start a new packet of MIELE dustbags.

Changing the dustbag and filters

- Lift the lid catch and raise the dust compartment lid until it clicks into place.



Maintenance

Paper dustbag

The paper dustbag has a closing flap. Before removing the dustbag:

- To prevent dust escaping when removing the dustbag, fold the closing flap down over the bag opening.

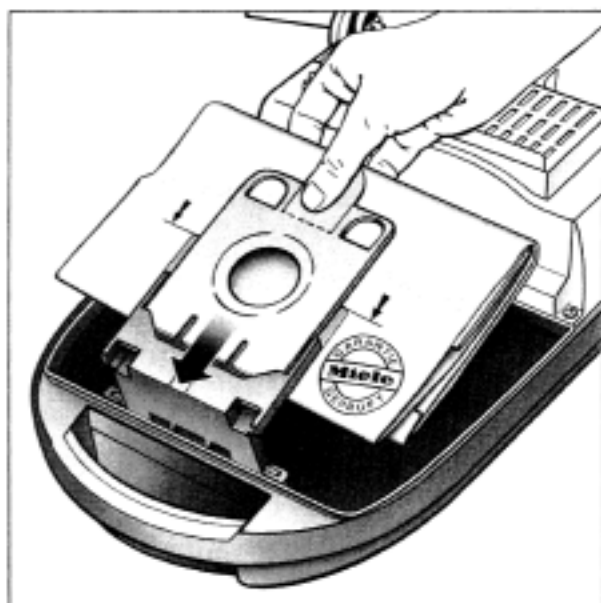
When purchasing new dustbags, ask for Original Miele "ECO" dustbags with the card collar and closing flap.



- Place the new filter bag into the frame.

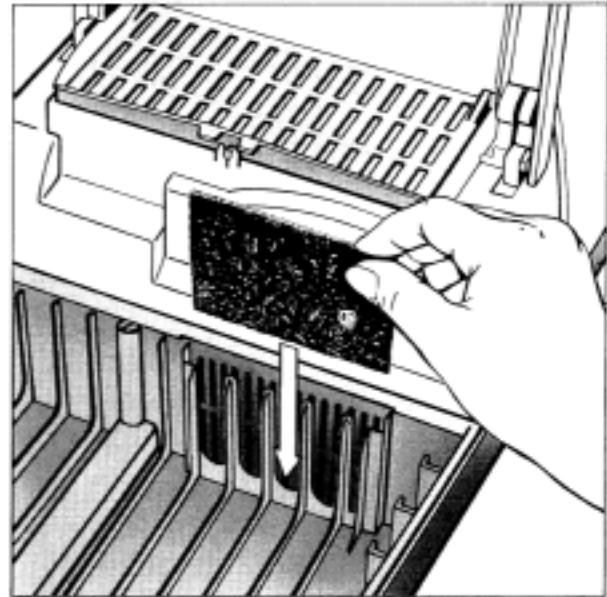
The edge of the filter bag neck must completely fill the aperture in the frame (see arrow).

Please ensure that the dustbag is not trapped when the lid of the dust compartment is closed.



Dust compartment filter

- Changing the filter



Exhaust filter (MIELE SUPER AIR CLEAN particle filter)

The Miele Super Air Clean particle filter is a fine, highly efficient network of fibers, which can also catch and retain microscopically small particles of dust. The expelled air is cleaner than the original room air.

Change the MIELE SUPER AIR CLEAN particle filter every time you open a new pack of vacuum cleaner dustbags.

A Super Air Clean Filter is included in every pack of Miele dustbags.

- Take the used SUPER AIR CLEAN particle filter out of the filter frame and replace with a new one. The filter can go either way round.
- Close the filter frame firmly.

New MIELE SUPER AIR CLEAN filters can also be obtained from your Miele dealer.



Maintenance

Care

The vacuum cleaner and all attachments can be cleaned with a damp cloth or with a mild plastic cleaner.

Electrical connection

- Connect the vacuum cleaner only to a 120 V/60 Hz, 10 or 15 A fused receptacle.

Miele®

MIELE APPLIANCES, INC.
22 D World's Fair Drive
Somerset, NJ 08873
Tel. No. (908) 560-0899
Fax: (908) 560-9649