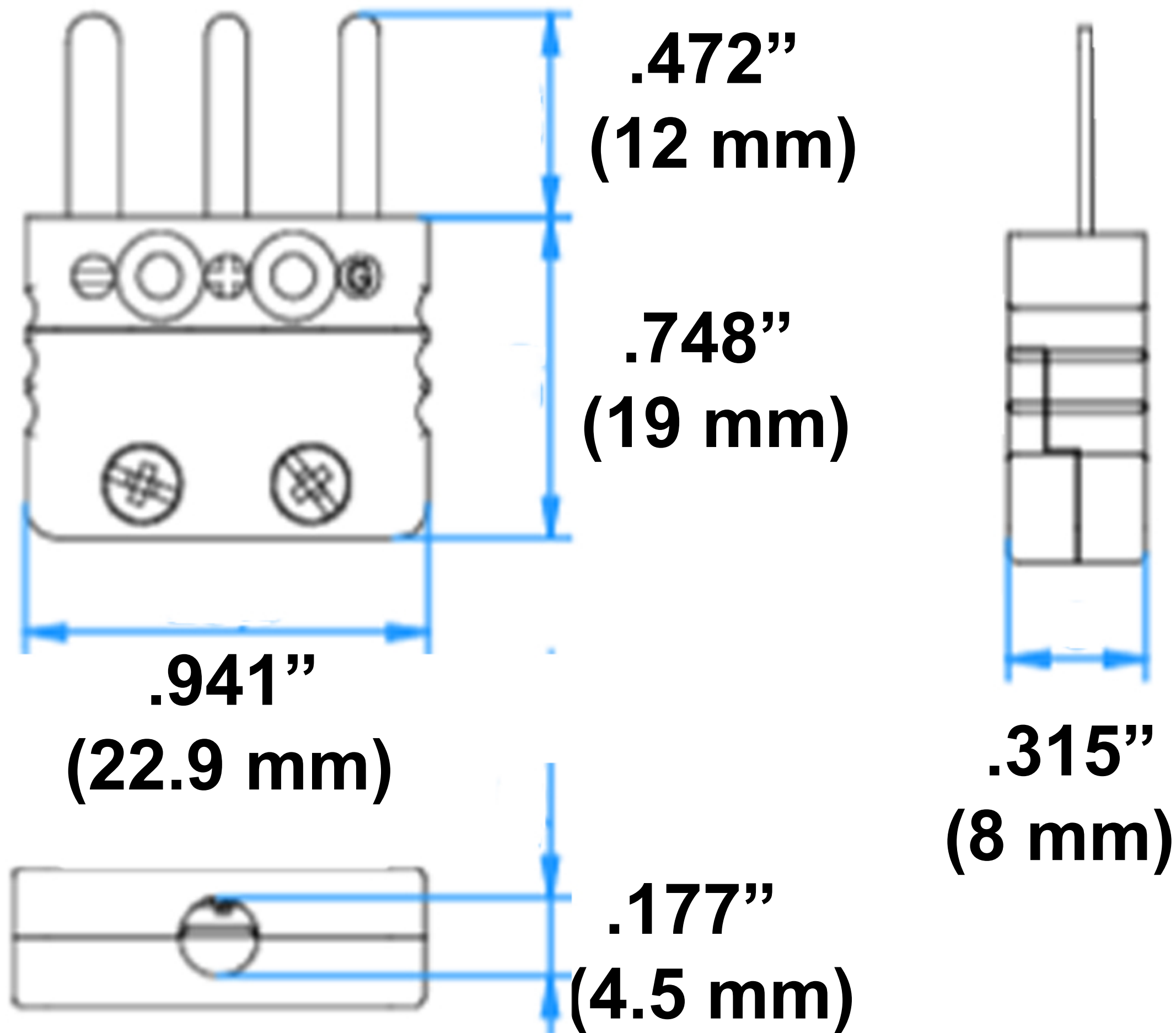


Thermocouple Connector

Miniature Three Pin Male

Dimensions



EvoSensors Part Number
K1X-MALE-CON-FP-X-MPCT