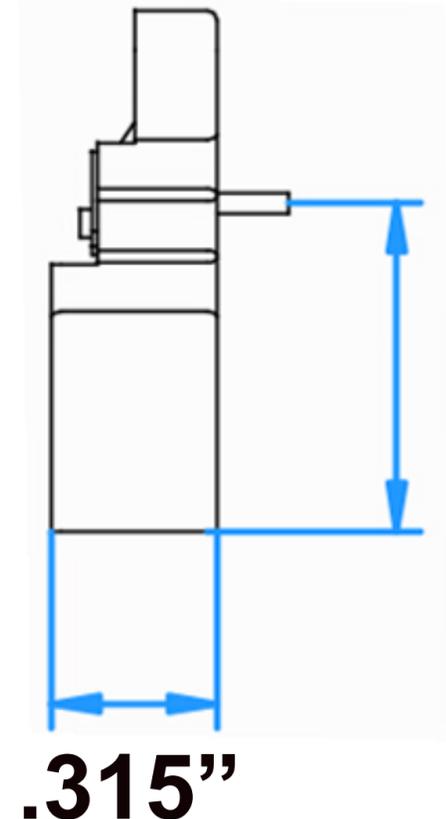
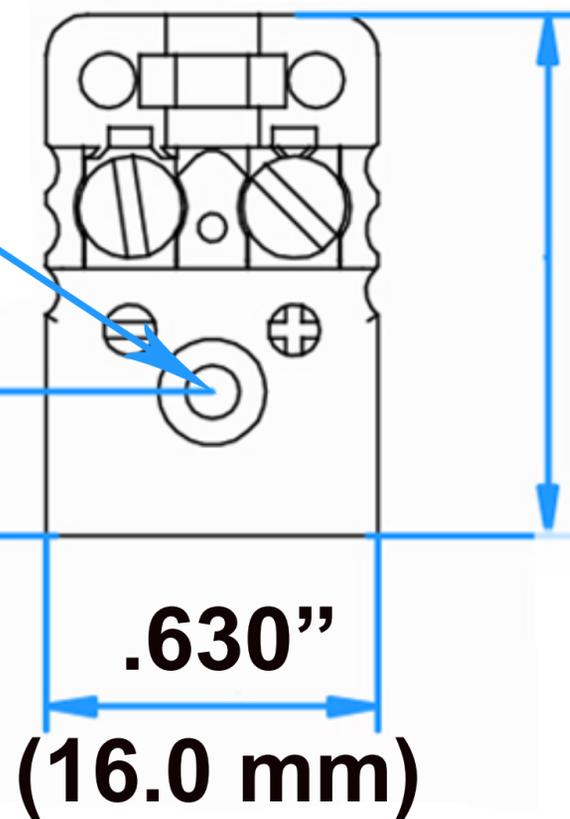


Circuit Board Thermocouple Connector Female *Flat Mount* Dimensions

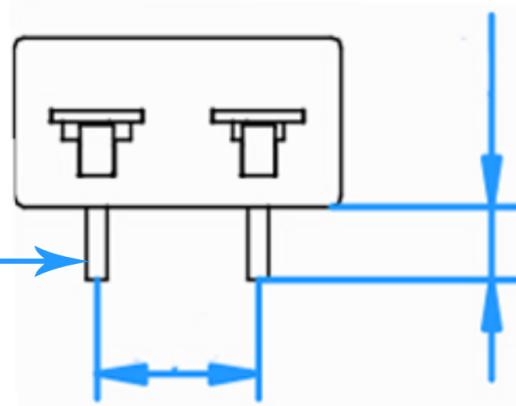
Hole Diameter
.102" (2.6 mm)

.275"
(7.0 mm)



.315"
(8.0 mm)

Pin Diameter
.039" (1 mm)



.134"
(3.4 mm)

EvoSensors Part Number
K1X-FEMX-CON-FP-X-PCCX