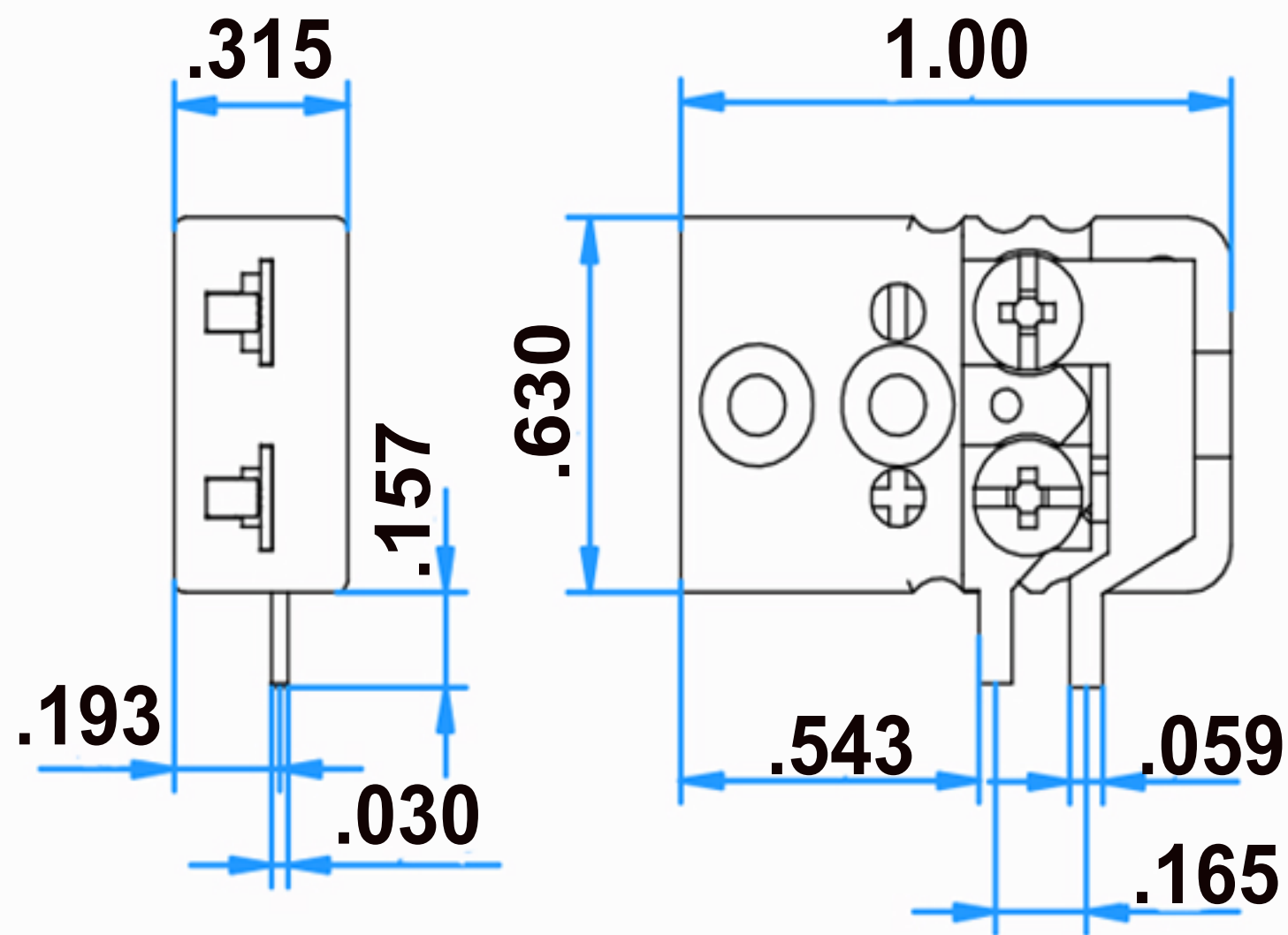
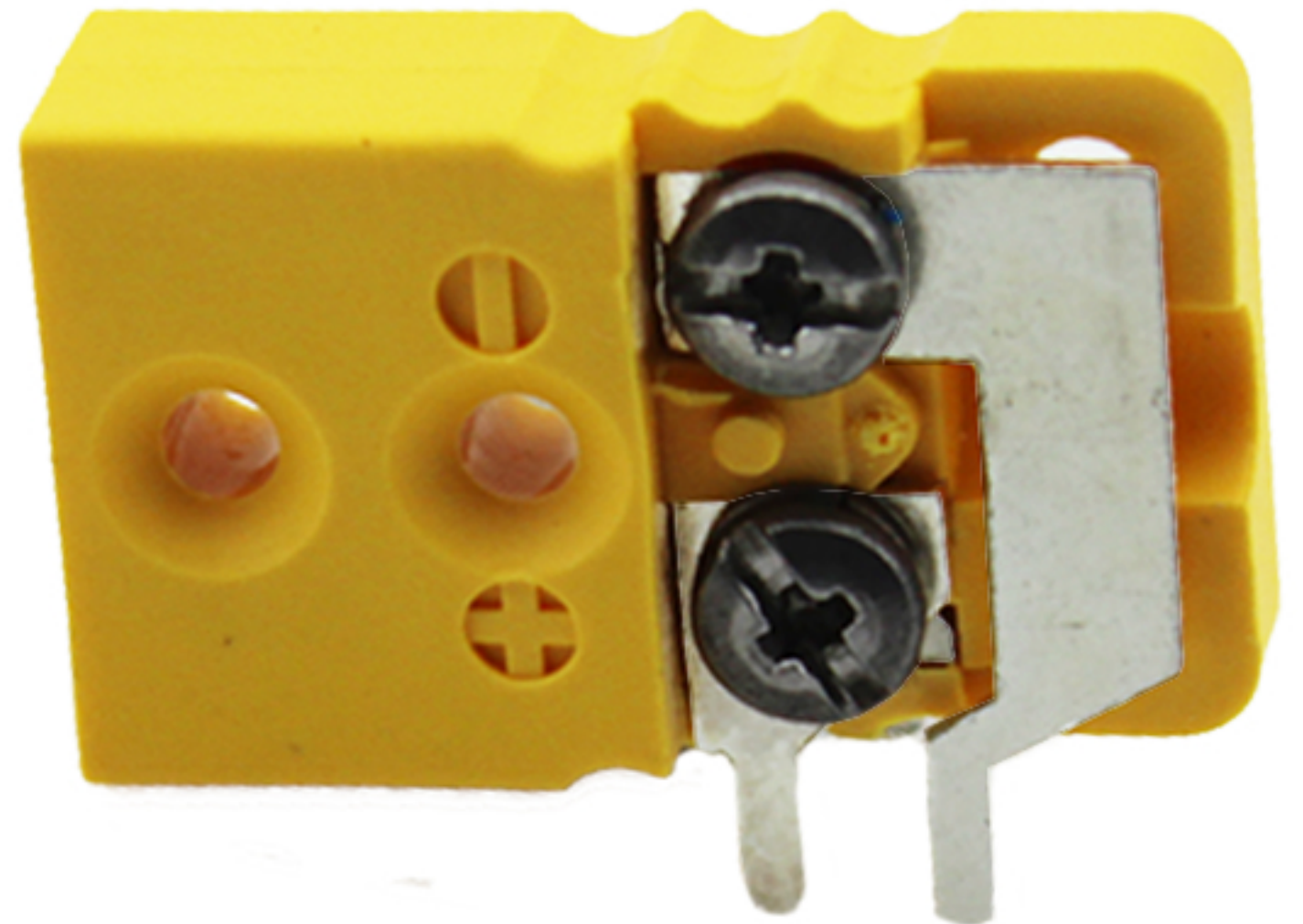


# Type **K** Circuit Board Thermocouple Connector **Side Mounting** Design

**Printed Circuit Board Mounted  
Female Socket accepts Flat Pins**



Dimensions in Inches



**Thermoplastic Body Rating**  
**-40 to 400°F (-40 to to 200°C)**