

**Part Number: K1X-FEMX-CON-FP-X-MPCF**

**Product Description:** Type K Thermocouple Connector Miniature Flat Pin Female.  
Thermoplastic Body Design rated to 400°F (200°C)

**Thermocouple Connector  
Type K Miniature Female**  
Socket Design Accepts Male Flat Pins

**Temperature Range**  
-40 to 400°F (-40 to 200°C)

Washer Terminal Contacts accept  
Bare Wire from Fine 40 Gage to  
Rugged 20 Gage Diameter

Connector Cable Entrance Accepts  
a Maximum .180" (4.5 mm) Diameter



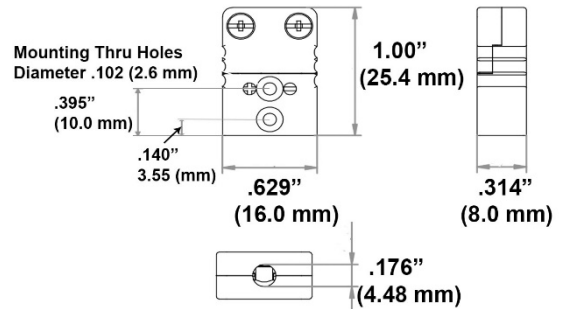
Silicone Rubber Wire  
Grommet shown for  
Reference. Must be  
Purchased Separately

Captive Screws  
for Easy Assembly

Stainless Steel Screws  
with Combination Head



**Thermocouple Connector  
Miniature Plastic Female**  
Dimensions - Flat Pin Design



EvoSensors Part Number  
K1X-FEMX-CON-FP-X-MPCF



Thermocouple Connector Type	K Calibration (+ Nickel Chrome and – Nickel Aluminum with Silicon)
Connector Configuration	Miniature <b>Female</b> Jack or Socket accepts Flat Pins
Temperature Operating Range	-40 to 400°F (-40 to 260°C)
Connector Body Material	Engineering Grade Thermoplastic
Wire Diameter Range for Thermocouple Terminal Connections	.003" (40 Gage Solid AWG or .076 mm) Diameter to .032" (20 Gage Solid AWG or .812 mm) Diameter
Terminal Connections Design	Clamp Washers with Stainless-Steel Screw design with Combination Head accepting Straight Slot or Phillips Head Screwdriver
Maximum Cable Entrance Diameter	.180" (4.95 mm) Diameter
Connector Cap Screw Design	Stainless-Steel Screw <b>Captive</b> design with Combination Head accepting Straight Slot or Phillips Head Screwdriver
Color Coding	ANSI - Yellow