

Part Number: K1X-FEMX-CON-FP-X-MHCF

Product Description: Type K Thermocouple Connector Miniature Flat Pin Female.
Thermoset Body Design rated to 650°F (350°C)

Type K High Temperature Thermocouple Connector Miniature Female Thermoset Body
Rated to 660°F (350°C)

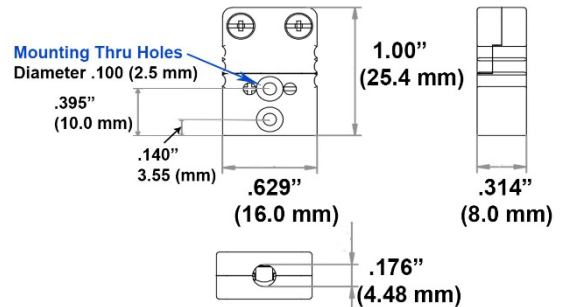
Washer Terminal Contacts accept Bare Wire from Fine 40 Gage to Rugged 20 Gage Diameter

Connector Cable Entrance Accepts a Maximum .180" (4.5 mm) Diameter

Stainless Steel Screws with Combination Head



High Temperature Thermoset 660°F (350°C) Rated Miniature Female Thermocouple Connector Dimensions



EvoSensors Part Number K1X-FEMX-CON-FP-X-MHCF evolution Sensors and Controls, LLC.

Thermocouple Connector Type	K Calibration (+ Nickel Chrome and – Nickel Aluminum with Silicon)
Connector Configuration	Miniature Female Jack or Socket accepts Flat Pins with Smaller Width Positive Pin and Larger Width Negative Pin to Ensure Polarized Connection
Temperature Operating Range	-40 to 660°F (-40 to 350°C)
Connector Body Material	Engineering Grade Thermoset
Wire Diameter Range for Thermocouple Terminal Connections	.003" (40 Gage Solid AWG or .076 mm) Diameter to .032" (20 Gage Solid AWG or .812 mm) Diameter
Terminal Connections Design	Clamp Washers with Stainless-Steel Screw design with Combination Head accepting Straight Slot or Phillips Head Screwdriver
Maximum Cable Entrance Diameter	.176" (4.48 mm) Diameter
Connector Cap Screw Design	Stainless-Steel Screw Captive design with Combination Head accepting Straight Slot or Phillips Head Screwdriver
Color Coding	Red Brown with K Calibration marked on Cap
RoHS and Reach	Compliant