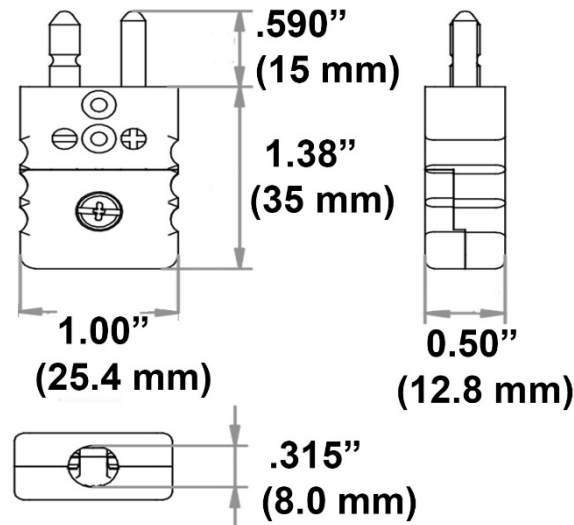


**Part Number: J1X-MALE-CON-RP-X-SPCX**

Effective Date: 4/4/2020

**Product Description:** Type J Thermocouple Connector Standard Size Male. A Rugged Industrial Thermoplastic Design rated to 400°F (200°C)



Thermocouple Connector Type	J Calibration (+ Iron and – Constantan)
Connector Configuration	Standard Size Male Plug with Round Hollow Pins
Temperature Operating Range	-40 to 400°F (-40 to 200°C)
Connector Body Material	Glass Filled Engineered Thermoplastic
Maximum Wire Diameter	.064" (14 Gage Solid AWG or 1.6 mm) Diameter
Thermocouple Terminal Connections	
Terminal Connections Design	Clamp Washers with Stainless-Steel Screw design with Combination Head accepting Straight Slot or Phillips Head Screwdriver
Maximum Cable Entrance Diameter	.315" (8.0 mm) Diameter
Connector Cap Screw Design	Single Stainless-Steel Screw Captive design with Combination Head accepting Straight Slot or Phillips Head Screwdriver
Color Coding	ANSI - Black
RoHS Status	Compliant to RoHS 2 and 3 directives