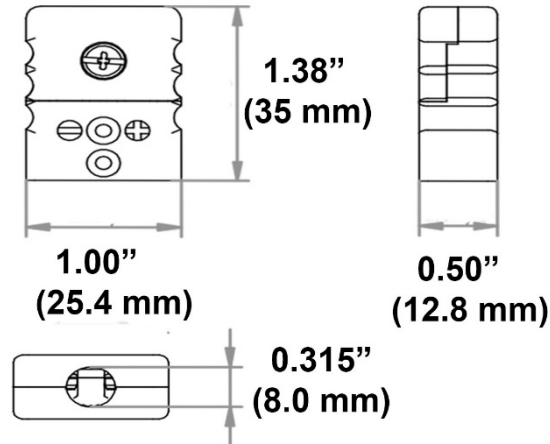


Part Number: J1X-FEMX-CON-RP-X-SPCF

Effective Date: 4/5/2020

Product Description: Type J Thermocouple Connector Standard Size Female. A Rugged Industrial Thermoplastic Design rated to 400°F (200°C)



| | |
|-----------------------------------|--|
| Thermocouple Connector Type | J Calibration (+ Iron and – Constantan) |
| Connector Configuration | Standard Size Female Jack or Socket with Round Hollow Pins |
| Temperature Operating Range | -40 to 400°F (-40 to 200°C) |
| Connector Body Material | Glass Filled Engineered Thermoplastic |
| Maximum Wire Diameter | .064" (14 Gage Solid AWG or 1.6 mm) Diameter |
| Thermocouple Terminal Connections | |
| Terminal Connections Design | Clamp Washers with Stainless-Steel Screw design with Combination Head accepting Straight Slot or Phillips Head Screwdriver |
| Maximum Cable Entrance Diameter | .315" (8.0 mm) Diameter |
| Connector Cap Screw Design | Single Stainless-Steel Screw Captive design with Combination Head accepting Straight Slot or Phillips Head Screwdriver |
| Color Coding | ANSI - Black |
| RoHS Status | Compliant to RoHS 2 and 3 directives |