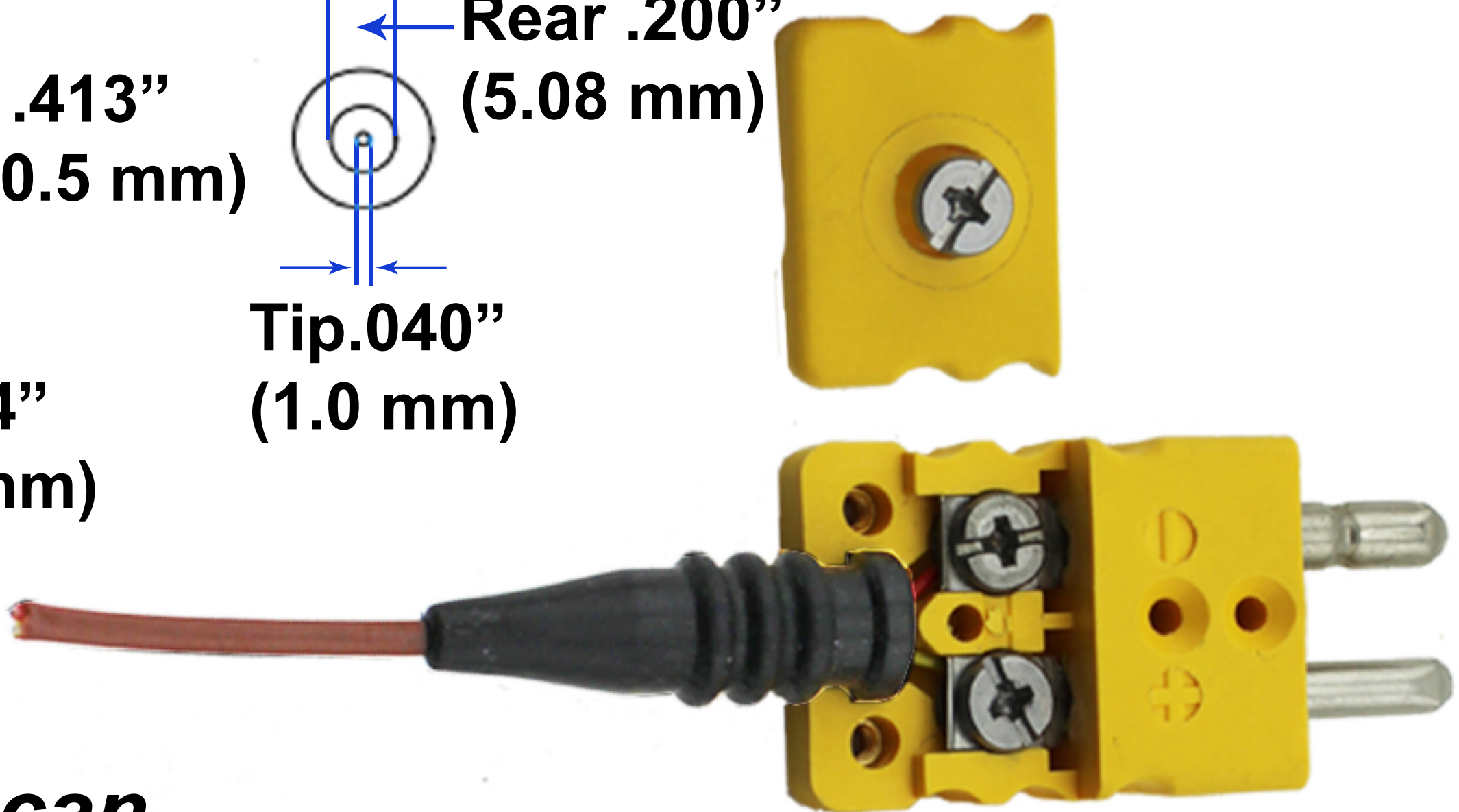
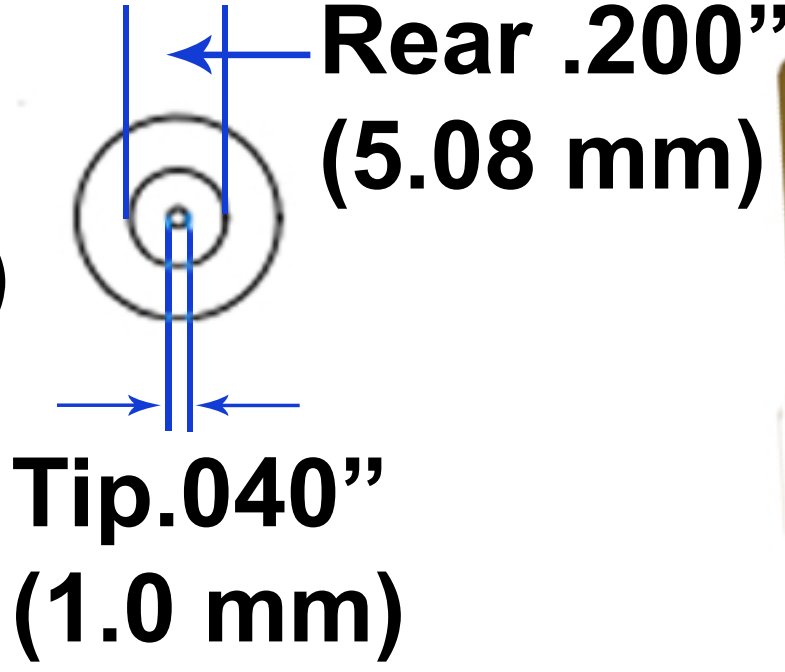
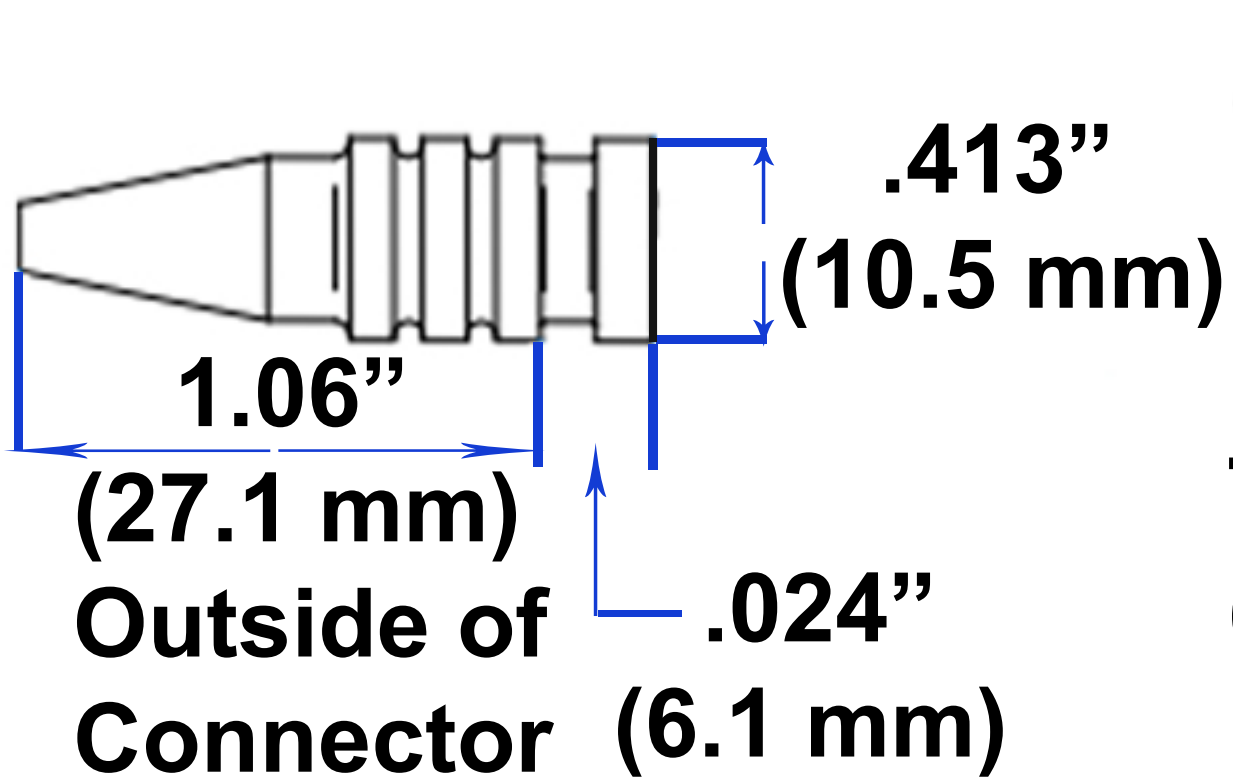


Standard Size Thermocouple Connector *Flexible* Strain Relief



.040" Opening can be *Cut* to Accomodate Larger Diameter Wires



.200" (5 mm) Opening

Silicon Rubber Provides Excellent Flexibility and 400°F (200°C) Rating