

ATTENTION! READ BEFORE INSTALLING!

COLOR VARIATION

This is a natural product and color variations are to be expected. For best visual effect, shuffle planks from several cartons and do not install boards varying greatly in color next to one another.

ACCLIMATION

As relative humidity varies in different parts of the country, acclimation of planks prior to installation is the most important precaution to take in order to ensure a successful installation. Proper acclimation is necessary to adapt the moisture content of the wall panelling to the conditions of your environment. Improper acclimation can cause the wall panelling to buckle and/or the boards to shrink or cup after installation.

WALL PREPARATION

Wall should be smooth, in good condition, and relatively straight and plumb with minimal bowing or curving of wall. Masonry walls and exterior walls should be moisture proofed prior to applying planks to walls.

CASTLE COMBE WALL APPLICATION INSTALLATION INSTRUCTIONS

READ THESE INSTRUCTIONS THOROUGHLY BEFORE BEGINNING INSTALLATION. If the following instructions leave any unanswered questions or if additional information is required, please call USFloors toll free at 800-404-2675 (706-733-6120).

MATERIAL SHOULD BE INSPECTED PRIOR TO INSTALLATION

Responsibility for the suitability of USFloors products for each individual installation cannot be assumed by USFloors since USFloors has no control over the installer's proper application. Should an individual plank be doubtful as to appearance or dimension the installer should not use this piece. USFloors will send replacement in a timely fashion.

PRE-INSTALLATION JOBSITE REQUIREMENTS

USFloors cannot be held responsible for site conditions.

Carefully examine the material prior to installation for grade, color, finish, and quality. Ensure adequate lighting for proper inspection. If material is not acceptable, contact your supplier immediately and arrange for replacement. USFloors cannot accept responsibility for material installed with visible defects. Prior to installation of any material, the installer must ensure that the job site and walls meet the requirements of these instructions. USFloors is not responsible for material failure resulting from unsatisfactory jobsite and/or subfloor conditions.

Wall paneling/planks should be one of the last items installed in any new construction or remodel project. All work involving water or moisture should be completed before material installation.

Room temperature and humidity of installation area should be consistent with normal, year-round living conditions for at least one week before installation of material. Optimum room temperature of 70° F and a humidity range of 30% - 50% is recommended during installation. Humidity levels below 30% will most likely cause movement in the material, including gapping between pieces and possible cupping and checking in the face.

Store the material in the installation area for 72 hours before installation to allow material to adjust to room temperature. Do not store the boxes of material directly on concrete. Material needs adequate acclimation for moisture equalization prior to installation and should not be installed from just-opened boxes. Shuffle the boards for best visual mix of lengths and color.

INSTALLATION TOOLS

For all installation methods:

- Tape measure
- Tapping block (trimmed piece of flooring)
- Pencil
- Pry bar or pull bar
- Chalk line
- Crosscut power saw
- Air stapler/nailer compatible with profile of the flooring material
- 1 ½" – 2" nail, cleat, or staple that is compatible with the profile of the flooring material
- Air compressor
- Construction mastic for glue installation

GLUE INSTALLATION

If walls are in moderately good condition, construction mastic is usually the easiest, fastest way to install solid wood paneling over drywall, plaster, hardboard – even old paneling. To apply, follow the adhesive manufacturer's directions.

To help tighten joints while gluing, tack through tongue into drywall or plaster every two to three feet. Use small nails to hold paneling in place until mastic sets.

NAIL INSTALLATION

NOTE: If installing in a horizontal or diagonal orientation, planks can be nailed directly on to wall with wood stud framing as long as nails are placed in studs. Planks installed in a vertical orientation will require furring strips be nailed to the wall.

Since natural wood planks expand with any increase in moisture content, always leave at least a 3/8" expansion space between walls and any other permanent obstructions, (such as pipes and cabinets). This space will be covered up once you reapply base moldings around the room. Use wood or plastic spacers during installation to maintain this 3/8" expansion space.

Figure 1

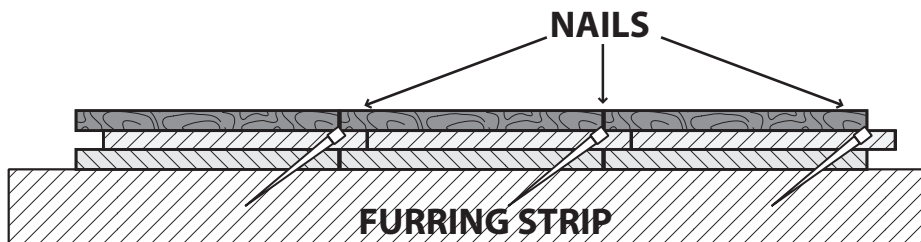
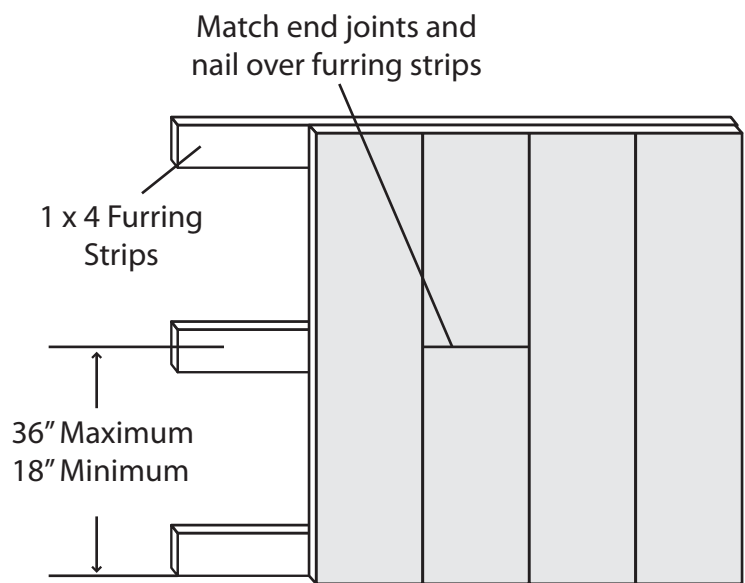


Figure 2

Nail 1 x 4 furring strips to the wall with a maximum spread of 36" or a minimum spread of 18". If installing planks vertically to the wall the furring strips must be nailed horizontally across wall (Figure 1). If installing planks horizontally to the wall, the furring strips must be nailed vertically across wall.

Begin installation at corner with groove facing perpendicular wall if

installing in a vertical orientation or with the groove facing the floor if installing in a horizontal orientation. This is usually the straightest and best reference for establishing a straight working line. Establish this line by measuring an equal distance from the wall at both ends and snapping a chalk line. The distance you measure from the wall should be the width of a plank plus about 3/8" for expansion space. You may need to scribe cut the first row of planks to match the wall in order to make a straight working line if the wall is out of square.

Use a flooring air stapler/nailer compatible with profile of material or a stapler/nailer of your choice. Test on a sample to make sure that stapling/nailing will not cause dimpling (localized raised edges) in the finished plank. (Note: Be sure to look at the face of the installed flooring at a low angle from a distance to see if dimpling is occurring as it is hard to see when directly above the plank.) If dimpling does occur, STOP and adjust the stapler/nailer shoe and angle/place of staple entry in order to avoid it. USFloors is not responsible for dimpling.