



LOG SPLITTER ASSEMBLY GUIDE  
MODEL: OPS240  
40 TON KINETIC SPLITTER



**DETAIL K2 INC.**

DK2 POWER USA  
4301 S Valley View Blvd STE 10-11  
Las Vegas, NV 89103  
1-702-331-5353

DETAIL K2, INC.  
1080 Clay Avenue Unit 2  
Burlington, Ontario, Canada L7L0A1

DK2 USA EAST  
6245 Industrial Parkway  
Whitehouse, OH 43571

**PARTS AND SERVICE 702-331-5353 OR [WWW.DK2POWER.COM](http://WWW.DK2POWER.COM) CONTACT US**

**HIGH SPEED LOG SPLITTER**

1 SEC RAM SPEED  
ATV TOWABLE  
KOHLER ENGINE



**OPS240 KINETIC  
40TON LOG SPLITTER**

**STEP 1:**

Open and unpack all items. Leave lots of working space.  
Inspect all parts.  
The SPLITTER is shipped in a crate. Remove all sides before  
you begin.

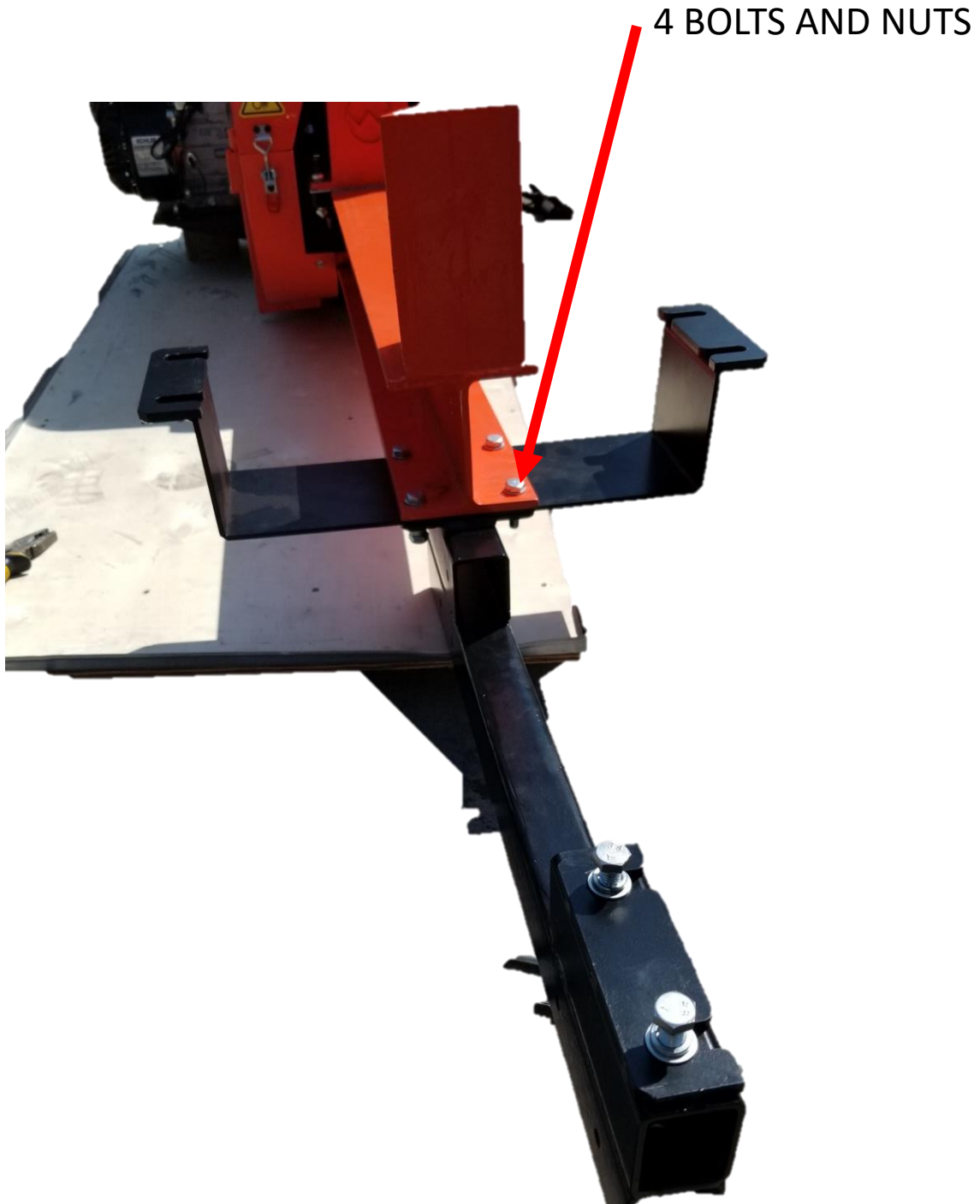


NOTE: UPON INSPECTION OF PARTS IF YOU FIND ANY DAMAGE OR MISSING PARTS PLEASE CALL DK2 POWER AT **702-331-5353** OR CONTACT US VIA OUR WEBSITE [WWW.DK2POWER.COM](http://WWW.DK2POWER.COM)  
WE WILL REPLACE ANY MISSING PARTS TO YOU FREE

**PLEASE DO NOT RETURN TO THE STORE**

**STEP 2:**

1. Install cross frame and tow bar frame.
2. Use 4 bolt hardware included.



**STEP 3:**

1. Open the hood
2. Install the safety lock control handle. Screw it until tight into the locking casting.



**STEP 4:**

1. Install the split handle with hardware provided
2. Close and latch the hood

**NUT THIS SIDE**



**STEP 5:**

- 1. INSTALL THE FOOT STAND
- 2. BOLT BOTTOM HOLE
- 3. HITCH PIN TOP HOLE

1 BOLT on bottom

1 hitch pin on top

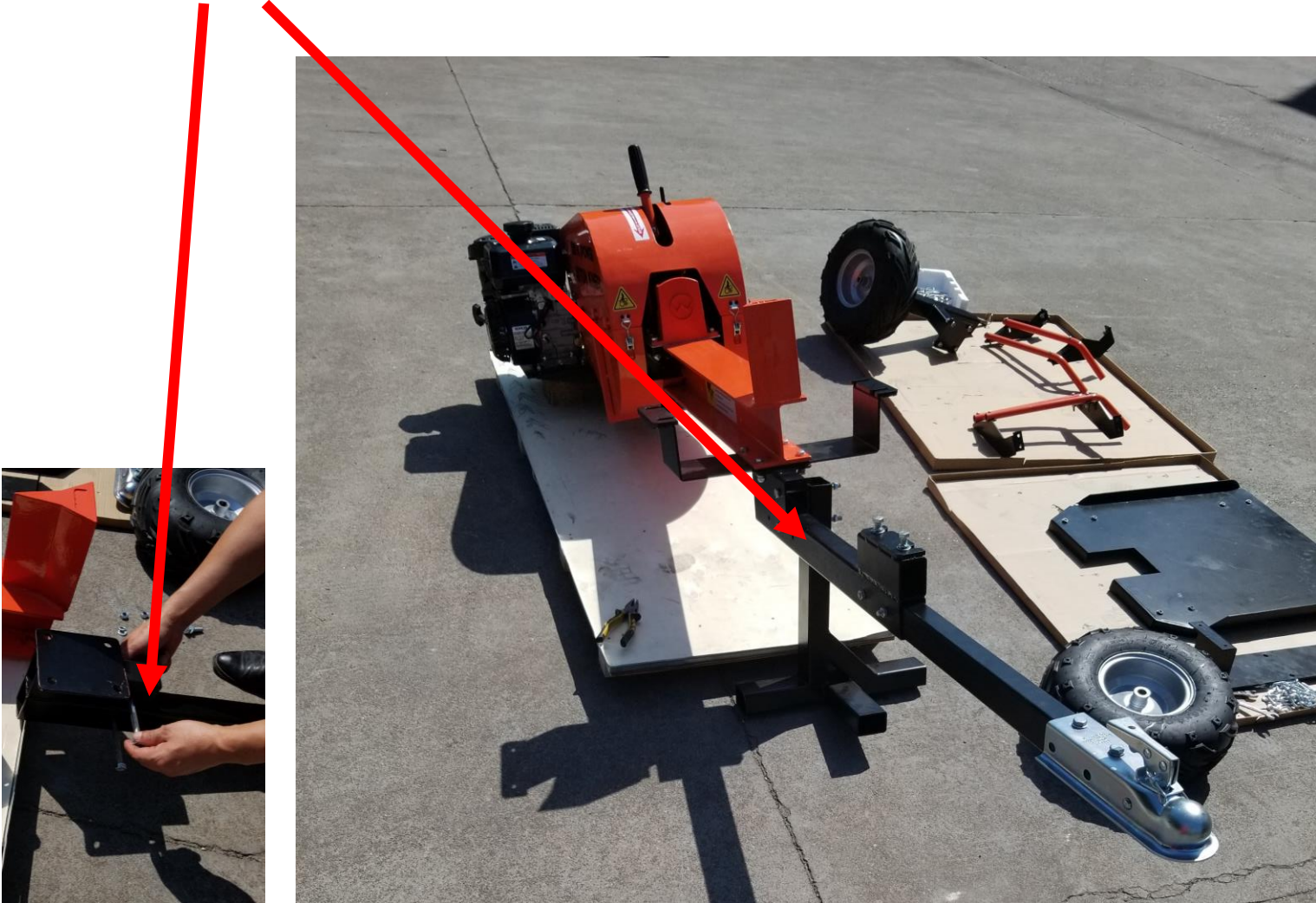
Raise when towing – use hitch pin in bottom hole



**STEP 6:**

- 1. INSTALL TOW BAR
- 2. Secure tight using hardware provided.

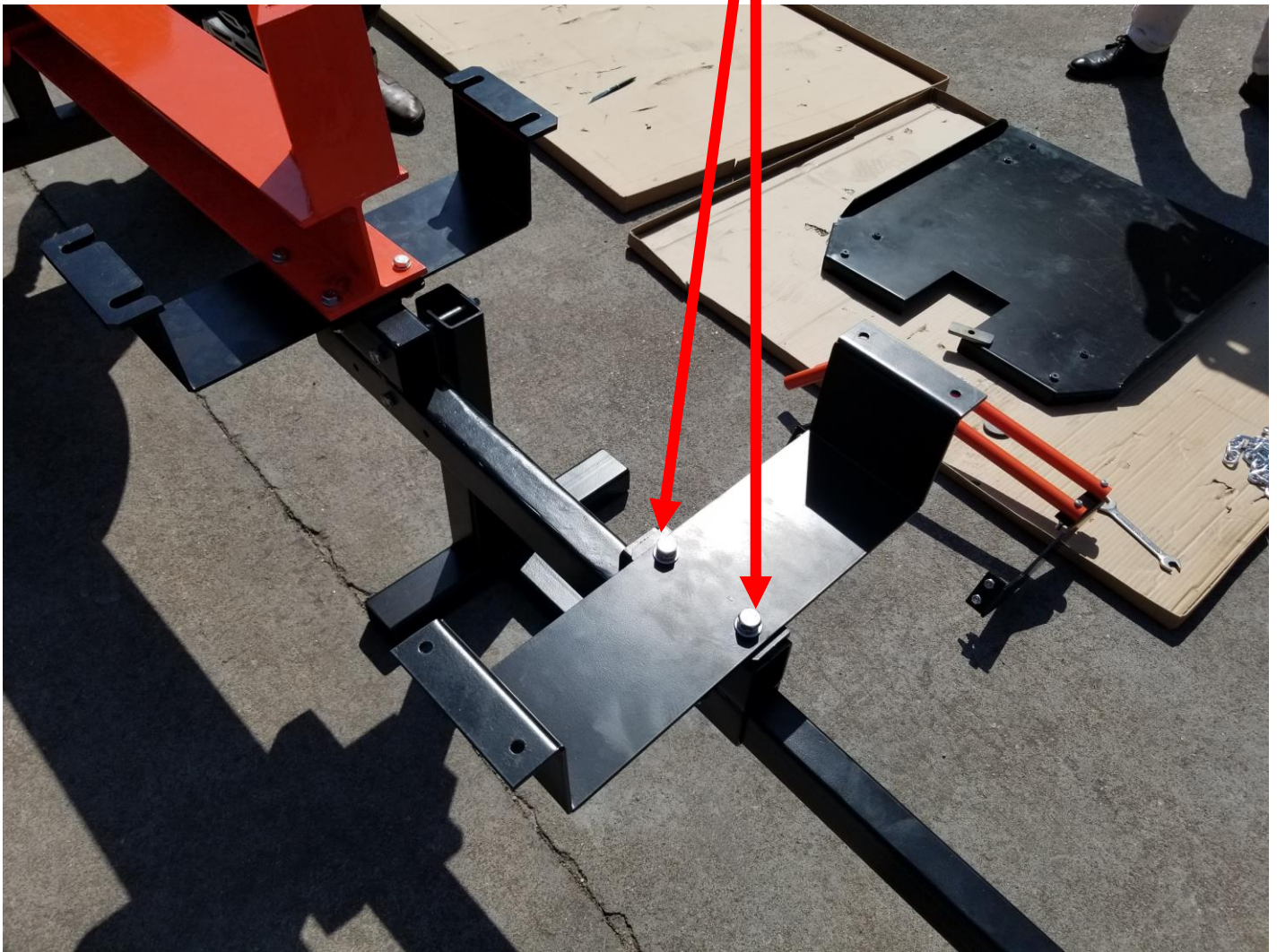
Use 2 bolts provided



**STEP 7:**

1. Install the front table bracket as shown using the hardware provided.
2. KEEP LOOSE until after table installation to help with hole alignment.

Use 2 bolts provided





**STEP 8:**

1. Install the wheels on the axel and insert spring pin.
2. Make sure wheel is free spinning. You can remove pin, slide wheel and re-pin to lock wheel during splitting.



**STEP 9:**

1. Get some help lifting the unit by the hitch and standing the unit upright resting on the back bottom plate.
2. Another option is use safely a hydraulic jack or lift chain.
3. BE CAREFUL THIS IS UNIT IS HEAVY AND SHOULD BE HANDLED BY MULTIPLE PERSONS OR A SAFE LIFTING DEVICE.
4. Insert the 4 bolts provided and tighten



**STEP 10:**

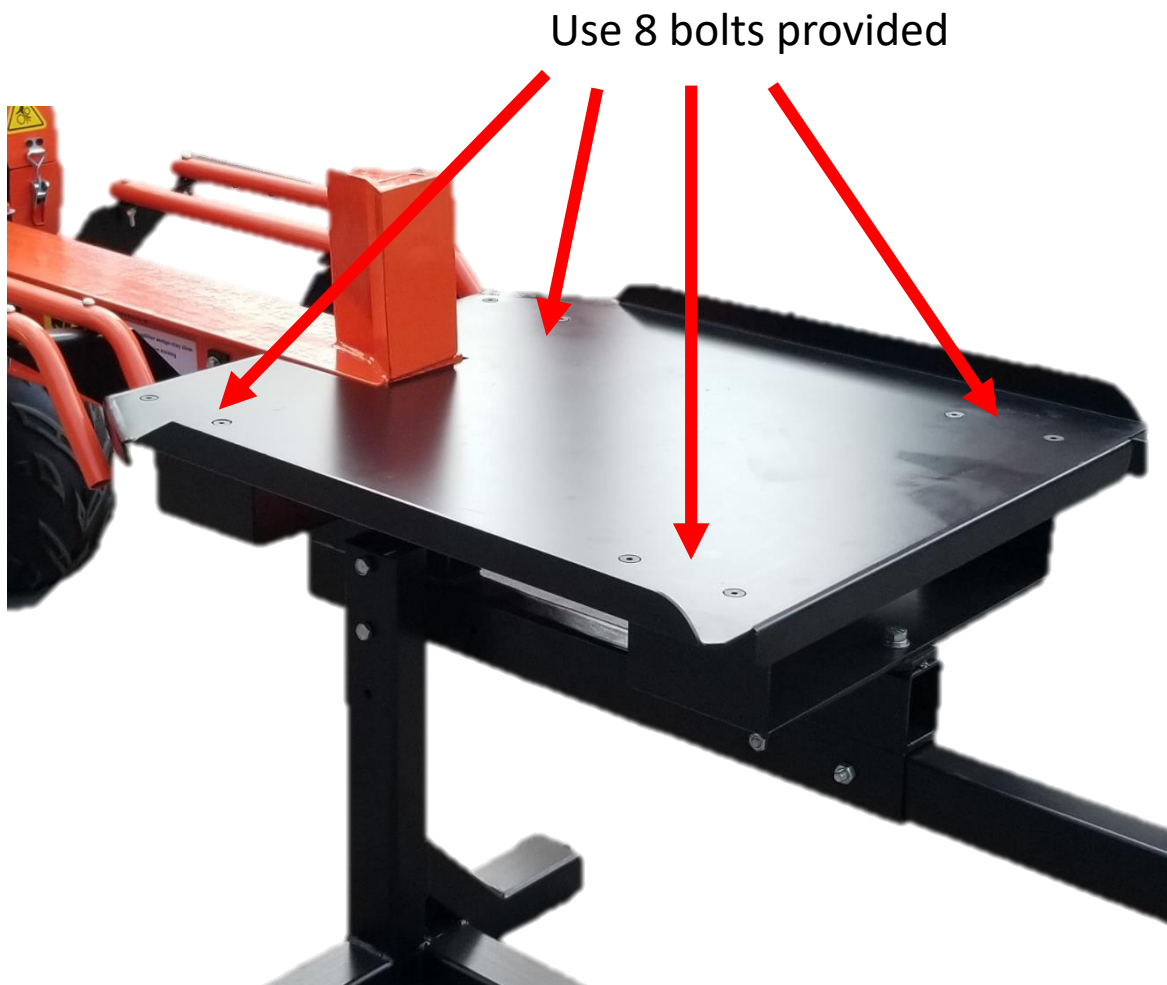
1. Assembly LOG CRADEL SLIDES to side of beam as shown.
2. Use hardware supplied and bolt both rail cradle assemblies together.
3. Tighten all bolts securely.

Bolt through the  
Beam both together



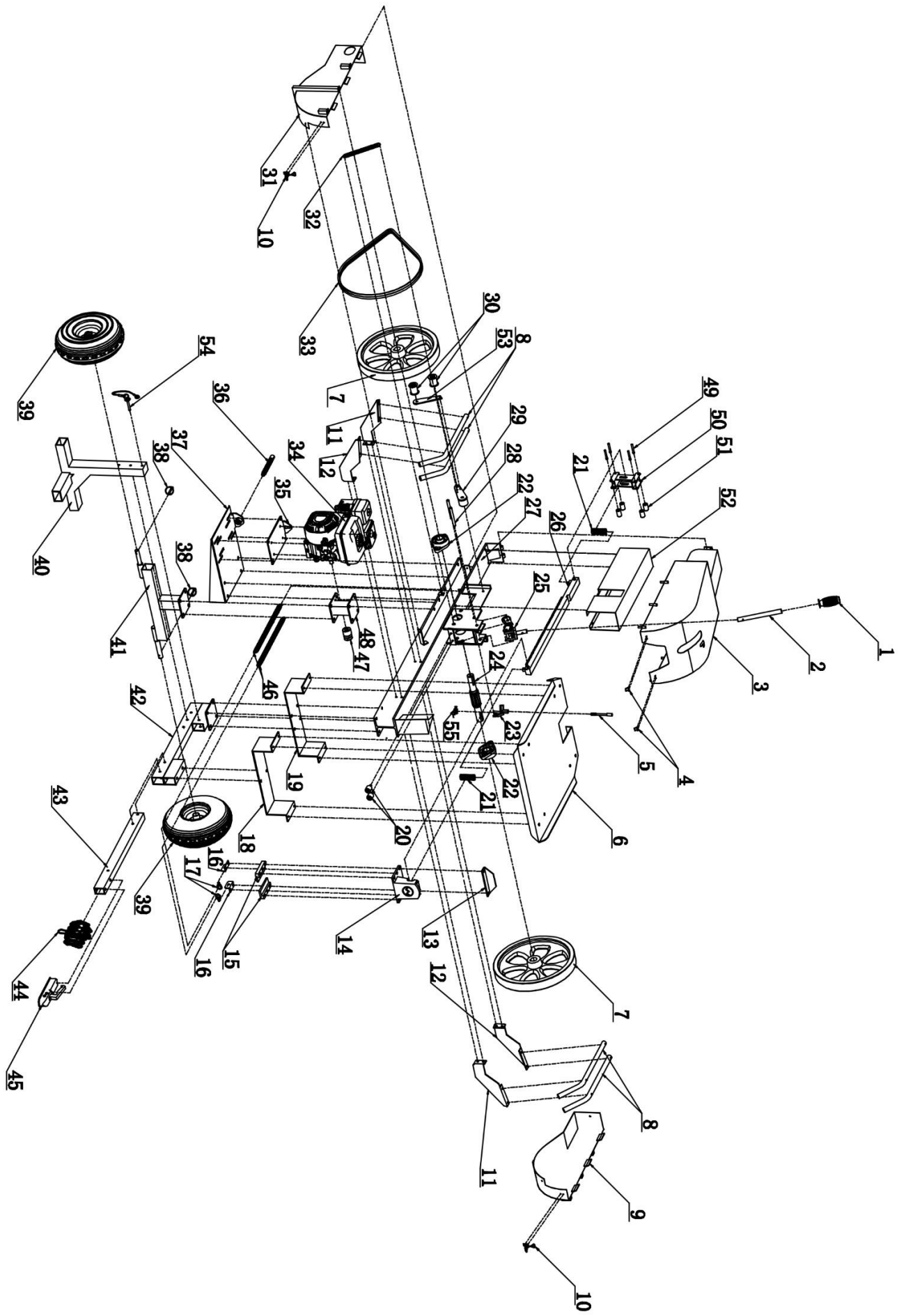
## STEP 11:

1. Install the work table
2. Use the 8 flat bolts and hardware provided
3. Tighten the 2 bolts on the underside table supports that were left loose in previous assembly steps.
4. Recheck all assembly bolts and equipment bolts and tighten if required.



## **CONGRATS – YOUR ALMOST DONE**

**Grease the rack teeth and the spline with standard grease. Keep the log beam free of grease and keep clean when splitting. The ram slides on a teflon plate, so keep it clean from grease and wood particles.**



Ref	Description	Ref	Description
1	Handle rubber sleeve	29	Roller rack
2	Handle	30	Pressure roller
3	Upper hood	31	Engine under hood
4	clasp	32	Roller holder spring
5	Small switch screw	33	Belt
6	Work table	34	Engine
7	Pully	35	Gasoline engine floor
8	Protect the frame tube	36	Screw rod
9	pulley under hood	37	Gasoline engine support
10	Pressing buckle	38	PIN (Wheel shaft)
11	Left arm guard	39	Tire
12	Right arm guard	40	Forefoot
13	Shock block	41	Tire rack
14	Ejector pad	42	Forefoot brace
15	Split head fitting	43	Tow bar
16	Ring fixed block	44	Iron chain
17	Rings	45	Tower hitch
18	Table front support plate	46	Sport spring gear rod
19	Table back support plate	47	Small pully
20	Rubber cushion	48	Tyre rack support tube
21	Compression spring(Ejector pad)	49	Outer hexagon bolt
22	Bearing pedestal	50	Gear rod fixaton
23	Small switch	51	Small nylon wheel
24	transmission shaft	52	Gear rod cover
25	Trigger	53	under pressing roller fixing piece
26	Gear rod	54	The front foot pin
27	Beam	55	Torsional spring
28	Trigger pin		

READ THE KOHLER ENGINE MANUAL SUPPLIED WITH YOUR UNIT FOR FULL ENGINE OPERATION, SAFETY, AND MAINTENANCE.



YOUR UNIT HAS A COMMERCIAL KOHLER ENGINE WITH A 3YR PARTS AND SERVICE WARRANTY. FOR WARRANTY IN YOUR AREA CONTACT THE NEAREST KOHLER DEALER.

VISIT [WWW.KOHLERENGINES.COM](http://WWW.KOHLERENGINES.COM) FOR PARTS, SERVICE, MANUALS, AND DEALER LOCATIONS.

## OPERATION – BEFORE STARTING ENGINE

CLEAR AREA OF ALL PEOPLE AND PROPERTY THAT COULD BE DAMAGED. THINK SAFETY. THIS SPLITTER IS FAST AND CAN CAUSE INJURY IF SAFETY IS NOT ENFORCED. ONLY ONE OPERATOR SHOULD WORK THIS UNIT. NEVER HAVE ANOTHER PERSON LOADING LOGS WHILE ANOTHER IS AT THE CONTROLS.

DO NOT REMOVE THE SECOND HAND SAFETY LEVER.

## IF YOUR UNIT WILL NOT START –

1. CHECK THE OIL LEVEL. YOUR ENGINE HAS A LOW OIL SHUTOFF PROTECTION AND WILL NOT START IF LOW ON OIL.
  2. MAKE SURE SPARK PLUG WIRE IS SEATED.
  3. MOVE THE GAS LEVER ON TO THE RIGHT. LEFT POSITION IS OFF.
  4. USE THE CHOKE IF NEED TO START IN COLD WEATHER.
  5. CHECK YOUR GAS LEVEL
- DO NOT WEAR LOOSE FITTING CLOTHES THAT COULD GET STUCK IN THE RAM
  - ONLY SPLIT WOOD, NO METAL OR PLASTIC.
  - CHILDREN SHOULD NOT RUN THIS EQUIPMENT
  - STAY ALERT OF YOUR SURROUNDING AND PERSONS THAT COULD APEAR IN THE AREA WHILE YOU ARE WORKING.
  - LOAD LOG ON BEAM, SLIDE TO SPLITTING WEDGE.
  - WEAR SAFETY GLASSES, GLOVES AND PROTECTIVE SHOES.
  - OPERATE OUTDOORS ONLY – GAS FUMES ARE DEADLY INDOORS.

RUN ENGINE AT FULL RPM.

ALLOW MACHINE TO REGAIN KINETIC ENERGY BETWEEN SPLITS

MACHINE RAM TRAVELS AT ½ SECOND FORWARD AND AUTO RETRACTS

WITH LOG LOADED – **PULL SAFETY LEVER WITH LEFT HAND THEN QUICKLY WITH RIGHT HAND PUSH SPLIT LEVER FORWARD AND LET GO.** DO NOT HOLD THE SPLIT LEVER IN SPLIT MODE. RAM AND LEVER WILL AUTO RETRACT AFTER MACHINE HAS SPLIT THE LOG.





## PLEASE DO NOT RETURN TO THE STORE

YOU HAVE A 1 YEAR WARRANTY AND DK2 WILL REPLACE A DEFECTIVE PART FOR FREE

**CALL US AT 702-331-5353 FOR FAST WARRANTY PARTS AND QUESTIONS**

### **WHAT IS COVERED**

DK2 Inc. warrants to the original purchaser of any DK2 product that it will be free and clear of manufacturing defects in workmanship and materials under normal use and service for a period of one (1) year from the date of the original purchase.

If within one (1) year from the original date of purchase this product fails due to defect in material or workmanship. DK2 POWER outdoor power equipment is 1-year parts only warranty no labor.

Upon expiry of one (1) year, Detail K2 will have no further liability related to the product. Detail K2 does not authorize any party, including its authorized distributors or dealers, to offer any other warranty on behalf of Detail K2 Inc.

KOHLER ENGINES – KOHLER CH SERIES ENGINES COMMERCIAL 3 YR PARTS AND LABOR WARRANTY  
see your Kohler manual for specific warranty.

DIESEL TRACTORS – Chassis component parts only, no labor, ENGINES – 1 YR KOHLER WARRANTY

DK2 POWER OUTDOOR EQUIPMENT – 1-Year parts only, no labor.

THIS WARRANTY DOES NOT COVER OR APPLY TO:

Damage to the product due to misuse, mishandling and abuse

(b) Improper installation, maintenance and storage

(c) Expendable parts such as nuts and bolts, pins and springs, wiring and switch components, hydraulic hoses and fittings, cutting teeth, cutting chains, cutting blades, throttles, belts and tires.

(d) Normal wear and tear

(e) Consequential damage & incidental damages such as damage to persons or property

### **PROCEDURE FOR OBTAINING AN RETURN AUTHORIZATION**

Within the one (1) year warranty period, the purchaser of the product must notify DK2 of the claimed defect and provide proof of original purchase. At this time the validity of the claim will be determined, and if approved replacement parts will be issued.

No returned product will be accepted under warranty unless accompanied by an RGA# issued by Detail K2 Inc.

### **RESOLUTION FOR A DEFECTIVE PRODUCT**

DK2 POWER – Tractors, Chippers, Stump Grinders, Log Splitters, and Outdoor Power Equipment.

Call DK2 at **702-331-5353** in Las Vegas between 8am-4pm M-F Pacific Time.