



**OPD811 BIG DUMP  
CART CARRY-ALL COMBO**

---

**SAFETY AND OPERATION INSTRUCTIONS**



**CALL 702-331-5353 FOR PARTS AND SERVICE**

---

---

**IMPORTANT: Read safety rules and instructions carefully before operating equipment.**

## Table of Contents

<b>PART I: General Safety Rules.....</b>	<b>2</b>
<b>PART II: Familiar with the BIG DUMP.....</b>	<b>6</b>
<b>PART III: Operating the BIG DUMP .....</b>	<b>7</b>
<b>PART IV: Maintaining the BIG DUMP .....</b>	<b>9</b>
<b>PART V: Parts List.....</b>	<b>10</b>

### Conventions used in this manual

---

#### **WARNING**

This indicates a hazardous situation, which, if not avoided, could result in death or serious injury.

---

#### **CAUTION**

This indicates a hazardous situation, which, if not avoided, could result in minor or moderate injury.

---

#### **NOTICE**

This information is important in proper using of your machine. Failure to follow this instruction could result in damage to your machine or property.

---

### Additional Information and Potential Changes

We reserve the right to discontinue, change, and improve its products at any time without notice or obligation to the purchaser. The descriptions and specifications contained in this manual were in effect at printing. Equipment described within this manual may be optional. Some illustrations may not be applicable to your machine.

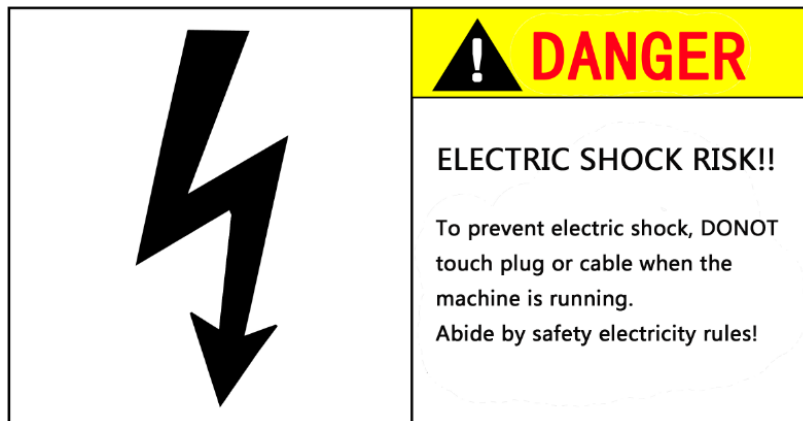
## PART I: General Safety Rules

---

---

Improper installation and operation could cause personal injury, and/or equipment and property damage. Read and understand labels and the USER Manual before installing, operating, or adjusting.

### Safety Labels Found on Your Unit



---

### **WARNING**

Read this Safety & Operating Instructions manual before using the **BIG DUMP**. Become familiar with the operation and service recommendations to ensure the best performance of your machine.

---

---

### Propose

---

### **CAUTION**

This machine is designed solely to transport goods and must not be used for any other purpose. It should only be used by trained operators who are familiar with the content of this manual. It is potentially hazardous to fit or use any parts other than OEM DK2 parts. The company disclaims all liability for the consequences of such use, which in addition voids the machine warranty.

## Before using the BIG DUMP

---

### NOTICE

- A. Operators must be fully trained before using this machine.
  - B. User Manual is read and understood.
  - C. Machine is positioned on level ground; all guards are fitted and in good condition.
  - D. Bucket and Carry-All is in good condition and secure.
  - E. All fasteners are checked for tightness.
  - F. DO NOT use other types of battery charger or batteries.
  - G. DO NOT Carry “passengers” on your BIG DUMP.
  - H. Exercise common sense at all times.
- 

## When using the BIG DUMP

---

### NOTICE

- A. It is safe to have a second trained operator within easy reach of the machine.
  - B. Always maintain strict discipline and service machine at specified periods.
  - C. DO NOT operate the machine while under the influence of alcohol or drugs.
  - D. Check all nuts, bolts, and wheel studs weekly.
  - E. Keep the BIG DUMP free of any accumulation of dirt, grease, oil or other flammable material.
- 

## Protecting Yourself and Those Around You

---

### WARNING

This is a high-powered machine, with moving parts operating with high energy. You must operate the machine safely. Unsafe operation can create several hazards for you, as well as anyone else in the nearby area. Always take the following precautions when using this machine:

- A. Keep in mind that the operator or user is responsible for accidents or hazards occurring to other people, their property, and themselves.
  - B. Avoid wearing loose clothing or jewelry, which can catch on moving parts.
  - C. We recommend wearing gloves while using the BIG DUMP. Be sure your gloves fit properly and do not have loose cuffs or drawstrings.
  - D. Wear shoes with non-slip treads when using your machine. If you have safety shoes, we recommend wearing them.
-

## Safety for Children and Pets

---

### **WARNING**

Tragic accidents can occur if the operator is not alert to the presence of children and pets. Children are often attracted to the machine and the activity. Never assume that children will remain where you last saw them. Always follow these precautions:

- A. Keep children and pets at least 50 feet from the working area and ensure they are under the watchful care of a responsible adult.
  - B. Be alert and turn the machine off if children or pets enter the work area.
  - C. Never allow children to operate the machine.
- 

## General Safety

---

### **WARNING**

Operating this machine safely is necessary to prevent or minimize the risk of injury. Unsafe operation can create several hazards for you. Always take the following precautions when operating:

- A. Your machine is a powerful tool, not a plaything. Exercise extreme caution always. The machine is designed to haul and dump. Do not use it for any other purpose.
  - B. Know how to stop the machine quickly.
  - C. See manufacturer's instructions for proper operation and installation of accessories.
  - D. Never, under any conditions, remove, bend, cut, fit, weld, or otherwise alter standard parts on the machine. This includes all shields and guards. Modifications to your machine could cause personal injuries and property damage and will invalidate your warranty.
  - E. If the machine starts to make an unusual noise or vibrate, turn off the machine, then inspect for damage. Vibration is generally a warning of trouble. Check damaged parts and clean, repair and/or replace as necessary.
  - F. Never tamper with safety devices. Check their proper operation regularly.
  - G. Never allow people who are unfamiliar with these instructions to use the machine. Allow only responsible individuals who are familiar with these rules of safe operation to use your machine.
  - H. While using, don't hurry or take things for granted. When in doubt about the equipment or your surroundings stop the machine and take time to look things over.
  - I. Never operate the machine when under the influence of alcohol, drugs, or medication.
  - J. Use the machine only in daylight.
-

- K. Stay alert for hidden hazards or traffic.**
  - L. Keep all nuts and bolts tight and keep the equipment in good operating condition.**
  - M. Be safety conscious and dress appropriately when operating. Always wear substantial footwear and a hard hat in relevant areas.**
  - N. Exercise extreme caution with the controls when working on steep or slippery surfaces. Especially, when people are near to the working area.**
- 

### **A Note to All Users**

**List of warnings and cautions cannot be all-inclusive. If situations occur that are not covered by this manual, the operator must apply common sense and operate this machine in a safe manner. Contact DK2POWER for assistance at 702-331-5353 8-4 PST.**

## **PART II: Familiar with the BIG DUMP**

---

---

It may be helpful to familiarize yourself with the controls and features of the BIG DUMP. If you have any question, please contact DK2POWER.

### **TECHNICAL SPECIFICATIONS**

<b>Power</b>	<b>48V/20AH/1000W Electric</b>
<b>Load capacity</b>	<b>1100 LBS</b>
<b>Total Working time</b>	<b>4-7 Hours</b>
<b>Charging time</b>	<b>5-6hours</b>
<b>Power Capacity showing</b>	<b>Yes</b>
<b>Speed</b>	<b>0-3 MPH</b>
<b>Reverse Gear</b>	<b>YES</b>
<b>Front wheel</b>	<b>16*6.5-8</b>
<b>Rear wheel</b>	<b>11*4-4</b>
<b>Overall Height</b>	<b>37 IN</b>
<b>Overall Length</b>	<b>50 IN</b>
<b>Width</b>	<b>31 IN</b>
<b>Weight</b>	<b>480/518 LBS</b>

## **PART III: Operating the BIG DUMP**

---

---

It may be helpful to better familiarize yourself with the features of your machine before beginning the steps outlined in this chapter.

---

### **WARNING**

- A. Read and understand all instructions, safety precautions, and/or warnings listed in “PART I: General Safety Rules” before operating the machine. If any doubt or question arises about the correct or safe method of performing anything found in this manual, please contact DK2POWER.
  - B. Knowing the correct and incorrect methods of using the machine. Never using an incorrect or unsafe method.
- 

### **Before Using:**

1. Using the battery charger supplied to charge the batteries until the green light on the charger comes on.
2. Check the control cables, condition of wiring, tire pressure and all nuts/bolts.

### **Moving Forward:**

1. Turn the MAIN SWITCH to “ON” position on the front panel.
2. Select “Forward” position on the toggle switch on the left handle.
3. Press the toggle switch forward.
4. Release the parking brake.
5. The speed of the dumper is controlled by the amount of throttle, which is on the right handlebar. The throttle can be regulated to increase or decrease the speed.

### **Moving Backward:**

1. Release the right handle to stop the Dumper.
2. Move the switch toggle switch to “Backward”.
3. Press the throttle to move the Dumper backward.

### **STOP:**

Release the throttle. Use the hand brake on the left handle. The Dumper will slow down and stop. Set the parking brake when not in use.



## **Dumping:**

- 1. Stop the machine.**
- 2. Set the parking brake**
- 3. On the left handlebar press the switch up or down to raise and lower the bucket or the carry-all.**

## **PART IV: Maintaining the BIG DUMP**

---

---

Regular maintenance is the way to ensure the best performance and long life of your machine. Please refer to this manual for maintenance procedures.

---

### **WARNING**

1. Before performing any maintenance procedure or inspection, stop the motor.
  2. To prevent accidental movement of the machine, always turn the ON/OFF switch to OFF and disconnect the battery plug whenever the BIG DUMP is not in use. The control indicator light will turn off.
  3. Disconnect the battery before removing or replacing any electrical components.
- 

### **Lubrication**

---

### **NOTICE**

All Bearings of your machine are sealed units and should have enough lubricant to last the life of your machine with normal use.

---

### **Maintenance**

Most problems are easy to fix. If you experience problems, contact DK2POWER

---

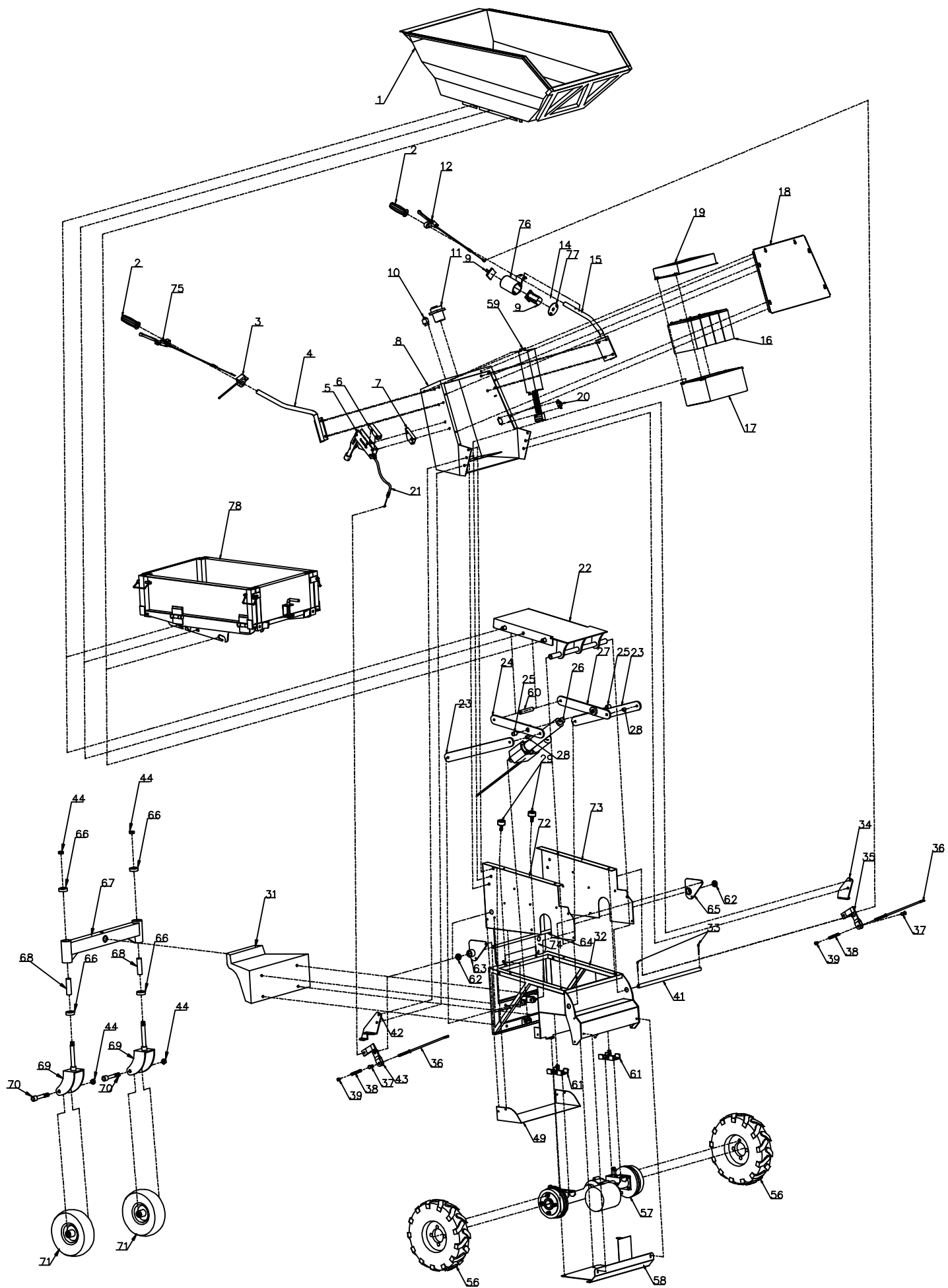
### **WARNING**

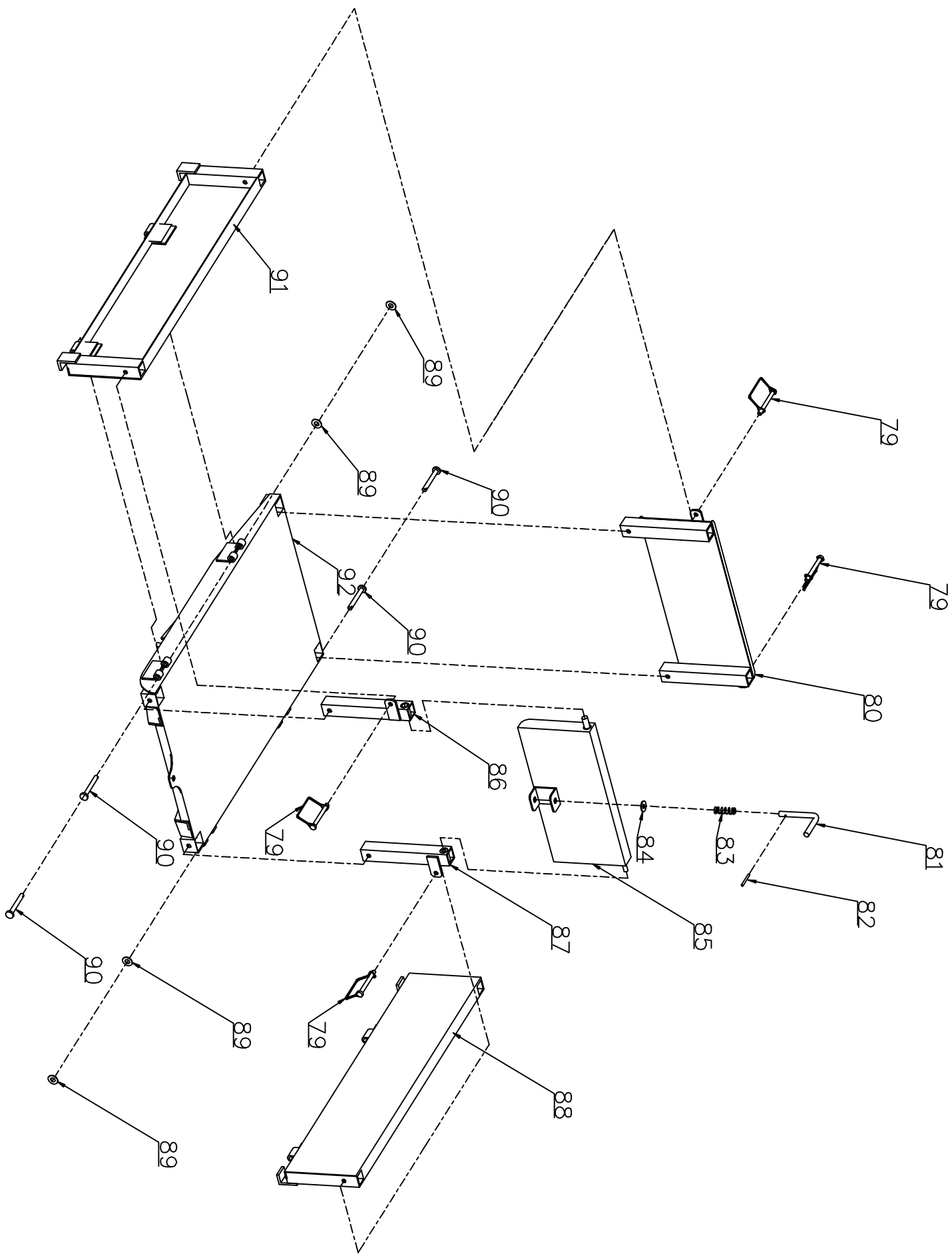
Before performing any maintenance procedure or inspection, stop the motor.

---

## Part V: Parts List

Ref.No.	Description	Ref.No.2	Description3
1	Bucket	44	M16 lock nut
2	Handle cover	49	Rearaxle mud guard
3	Switch	50	Motor hanger
4	Right handrail	56	16*6.5-8 wheel
5	Brake assemble	57	Rear axle assembly
6	Brake fitting tube	58	Rear axle mud guard
7	Brake fitting flat tube	59	Rear axle controller
8	Electric box	60	Ø19*Ø11*58 spacer
9	Push bar switch	61	Rear axle fitting plate
10	Thermal overload	62	6002 bearing
11	Main switch	63	Right brake fitting
12	Brake handle	64	Brake connect rod
13	Backward switch	65	Left brake fitting
14	Brake cable	66	6204 bearing
15	Left handrail	67	Rear wheels brace
16	Battery	68	95*Ø21*Ø25 spacer
17	Battery box bottem	69	Rear wheel frame
18	Battery box cover plate	70	M16*95 screw
19	Battery cover	71	Rear wheel
20	Charge point	72	Right main frame cover plate
21	Parking cable	73	Left main frame cover plate
22	Bucket fitting plate	74	Electrical box under the baffle
23	Log rod	75	Right brake handle
24	Right short rod	76	Electric push rod switch box
25	23*Ø12*Ø20 Spacer	77	Electric push rod switch box cover
26	Pusher rod	78	Small bucket assembly
27	Left short rod	79	Trailer pin
28	17*Ø11*Ø15 Spacer	80	Small bucket back panel
29	Shocking reduction	81	Switch pin
30	Main frame cover	82	Ø3 The pipe pin
31	Rear wheel frame	83	Ø13*Ø17*53 compression spring
32	Main frame	84	Ø10*Ø27washer
33	Ø4 cotter pin	85	Small bucket front panel
34	Brake cable fitting plate	86	Small bucketfront panel right fixed tube
36	Frone wheel brake rod	87	Small bucketfront panel left fixed tube
37	Ø12*26 pin axle	88	Small bucket left plate
38	Spring	89	Hinge fastener
39	Adjust nut	90	Hinge pin
40	Rearaxle side cover	91	Small bucket right plate
41	Bucket rotate axle	92	Small bottom plate
42	Parking wire fitting plate		







PLEASE DO NOT RETURN TO THE STORE

YOU HAVE A 1 YEAR WARRANTY AND DK2 WILL REPLACE A DEFECTIVE PART FOR FREE

**CALL US AT 702-331-5353 FOR FAST WARRANTY PARTS AND QUESTIONS**

**WHAT IS COVERED**

DK2 Inc. warrants to the original purchaser of any DK2 product that it will be free and clear of manufacturing defects in workmanship and materials under normal use and service for a period of one (1) year from the date of the original purchase.

If within one (1) year from the original date of purchase this product fails due to defect in material or workmanship. DK2 POWER outdoor power equipment is 1-year parts only warranty no labor.

Upon expiry of one (1) year, Detail K2 will have no further liability related to the product. Detail K2 does not authorize any party, including its authorized distributors or dealers, to offer any other warranty on behalf of Detail K2 Inc.

KOHLER ENGINES – KOHLER CH SERIES ENGINES COMMERCIAL 3 YR PARTS AND LABOR WARRANTY  
see your Kohler manual for specific warranty.

DIESEL TRACTORS – Chassis component parts only, no labor, ENGINES – 1 YR KOHLER WARRANTY  
DK2 POWER OUTDOOR EQUIPMENT – 1-Year parts only, no labor.

THIS WARRANTY DOES NOT COVER OR APPLY TO:

Damage to the product due to misuse, mishandling and abuse

(b) Improper installation, maintenance and storage

(c) Expendable parts such as nuts and bolts, pins and springs, wiring and switch components, hydraulic hoses and fittings, cutting teeth, cutting chains, cutting blades, throttles, belts and tires.

(d) Normal wear and tear

(e) Consequential damage & incidental damages such as damage to persons or property

(f) Batteries

**PROCEDURE FOR OBTAINING AN RETURN AUTHORIZATION**

Within the one (1) year warranty period, the purchaser of the product must notify DK2 of the claimed defect and provide proof of original purchase. At this time the validity of the claim will be determined, and if approved replacement parts will be issued.

No returned product will be accepted under warranty unless accompanied by an RGA# issued by Detail K2 Inc.

**RESOLUTION FOR A DEFECTIVE PRODUCT**

DK2 POWER – Tractors, Chippers, Stump Grinders, Log Splitters, and Outdoor Power Equipment.

Call DK2 at **702-331-5353** in Las Vegas between 8am-4pm M-F Pacific Time.