

Automatic Soap Dispenser Manual

READ AND SAVE THESE INSTRUCTIONS

Inspect Unit Before Use.

Contact support@upperechelonproducts.com immediately for any damaged or defective units.

TABLE OF CONTENTS

1 COMPONENTS

2 SAFETY

3 OPERATION

4 MAINTENANCE

5 TROUBLESHOOTING

6 SPECIFICATIONS

1. COMPONENTS

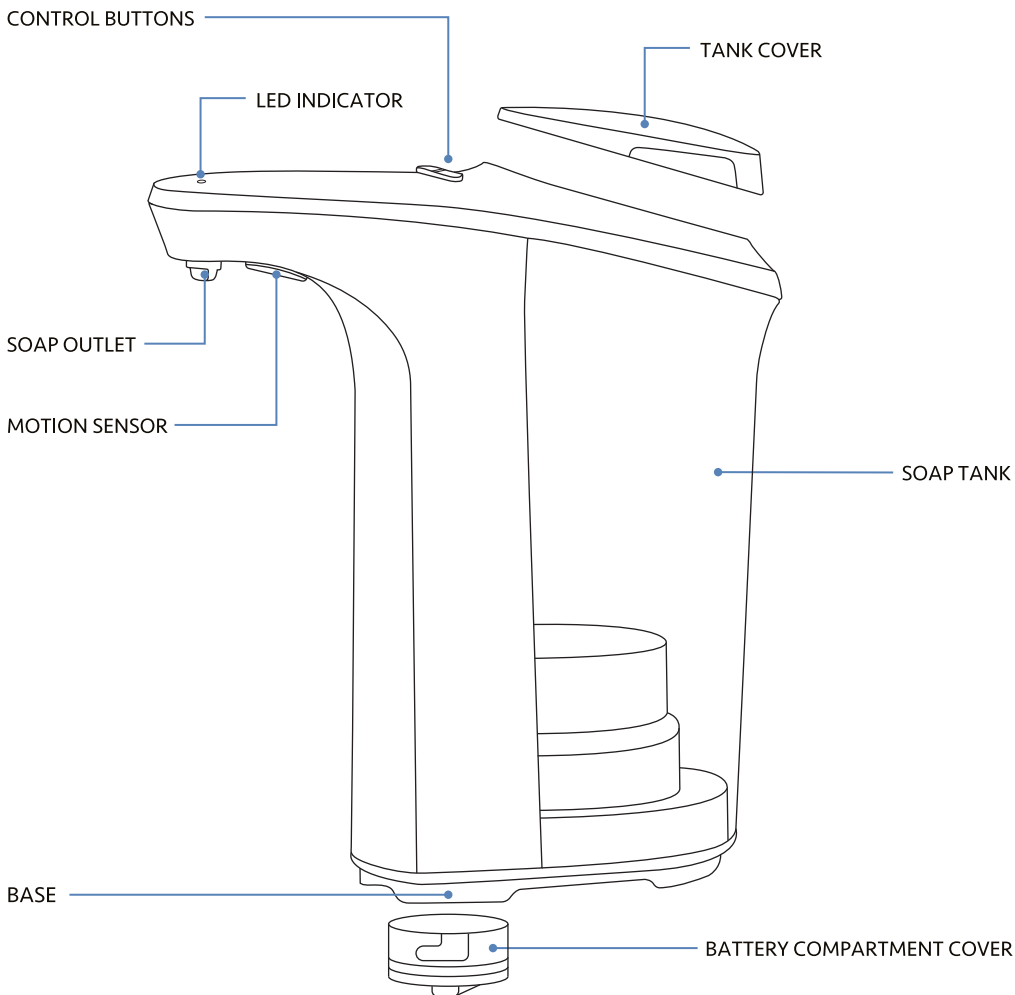


Fig. 1
EXPLODED DIAGRAM

SENSOR AREA



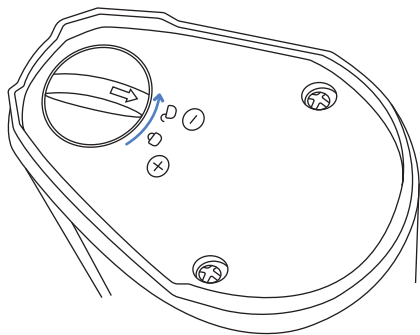
Fig. 2
SENSOR AREA

2. SAFETY (PLEASE READ CAREFULLY BEFORE USE)

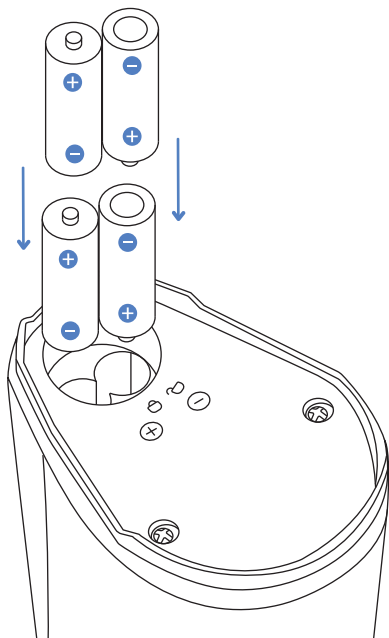
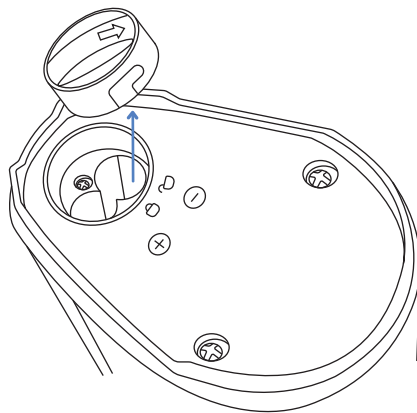
- 1 Thoroughly inspect the unit in its entirety for any cracks, chips, or damage which could cause the unit to leak. DO NOT use it if any damage is found.
- 2 Only use this unit in accordance with the instructions provided in this user manual. Keep the user manual for reference.
- 3 Only a professional or authorized repairman should repair this unit.
- 4 Keep soap dispenser away from children, infants, and pets. This unit is not a toy.
- 5 Jolts, impacts or falls, even from a low height level, can cause damage to the unit. Handle with care.
- 6 DO NOT use or store the unit in an environment subject to strong static electricity or magnetic fields.
- 7 DO NOT expose the unit to heat sources or corrosive environments.
- 8 Never submerge the unit in water or any kind of liquid.
- 9 DO NOT use the unit if it has fallen into water or any kind of liquid. If this occurs, please refer to Section 5. TROUBLESHOOTING.
- 10 DO NOT use the unit in the shower.
- 11 Never fill the tank with flammable liquids or harsh chemicals.
- 12 Only use a set of 4 AA batteries of the same brand.
- 13 DO NOT mix standard batteries (carbon-zinc) with rechargeable batteries.
- 14 Rechargeable AA batteries can be used in this unit.
- 15 NEVER use damaged rechargeable batteries. Damaging the casing and/or piercing rechargeable batteries can lead to an explosion or fire!
- 16 DO NOT mix old and new batteries.
- 17 Correctly insert (polarity) batteries into the battery compartment.
- 18 To prevent battery leakage, remove batteries from the unit when not used for extended periods of time.
- 19 If batteries leak, DO NOT allow battery fluid to come into contact with the skin or eyes. If any contact has been made, wash the affected area with copious amounts of water and seek medical advice.

3. OPERATION

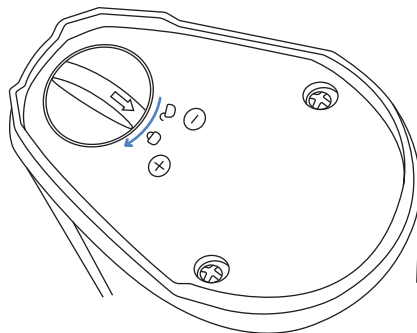
INSERT BATTERIES



- 1 Rotate the cap counterclockwise to open the battery compartment located on the bottom of the dispenser.

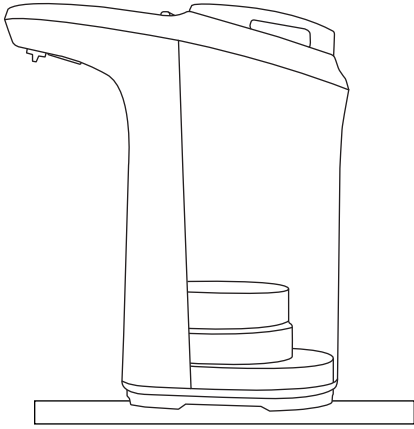


- 2 Correctly insert 4 AA batteries, making sure to observe the polarities marked on the bottom of the soap dispenser.

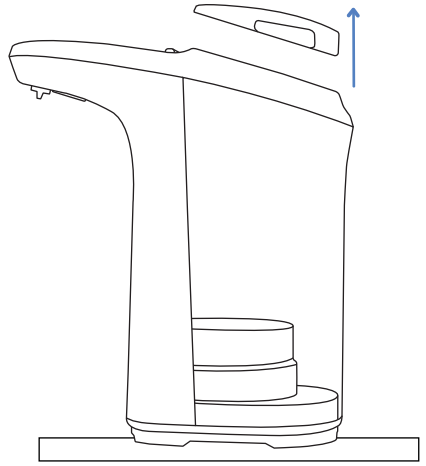


- 3 Press and rotate the cap clockwise to close the battery compartment.

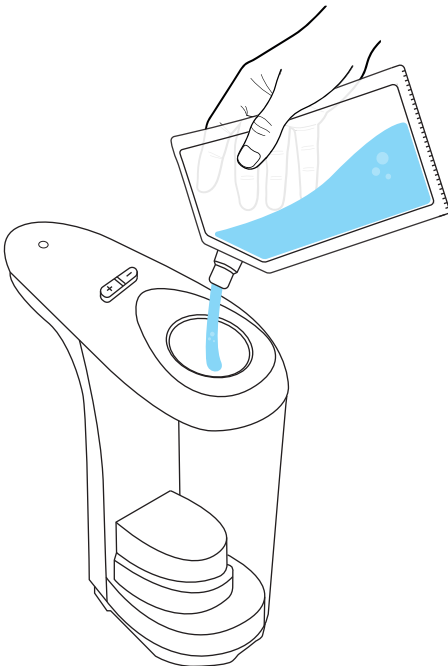
FILL THE TANK WITH SOAP



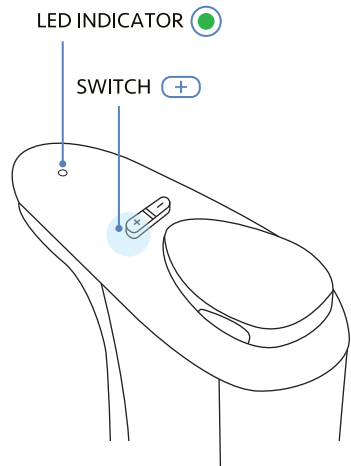
1 Set unit on a flat and dry surface.



2 Remove the tank cover.



3 Pour the desired amount of liquid soap into the tank, then return the tank cover to the soap dispenser.



4 Once filled, turn the soap dispenser ON by pressing the (+) button 1x. The LED indicator will blink green once.

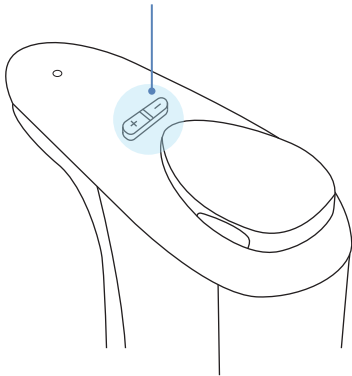
TEST & ADJUST



- 1 To test if the unit is ON, place and hold a sponge under the dispenser in the sensor area (Fig. 2).
IMPORTANT: Our infrared sensor is triggered as a result of reflected light. Clear objects may not reflect light as intended. For this, we would suggest using your hand to trigger the sensor to pump.

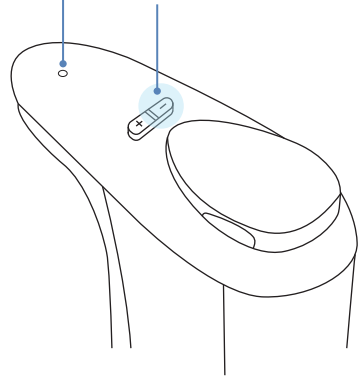
- 2 Adjust to your preferred soap output level. The soap dispenser features output levels 1-5. The default setting is level 3.

CONTROL BUTTONS  



LED INDICATOR 

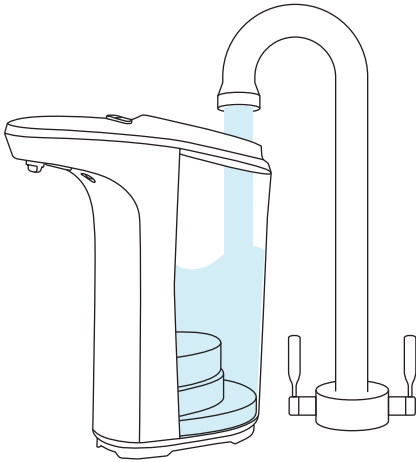
SWITCH 



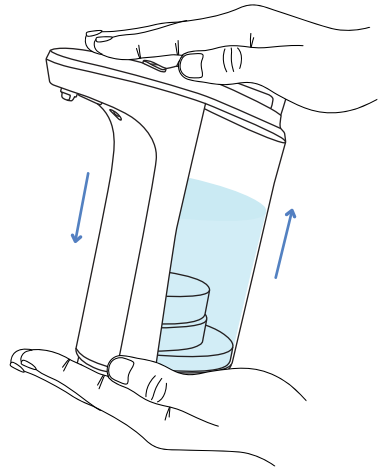
- 3 To increase the output level press the (+) button. To decrease the output level press the (-) button.

- 4 To turn the soap dispenser OFF between refills, press and hold the (-) button for 2 seconds, the LED indicator will blink red once. Note, the LED indicator will also light up red when the battery level is low.

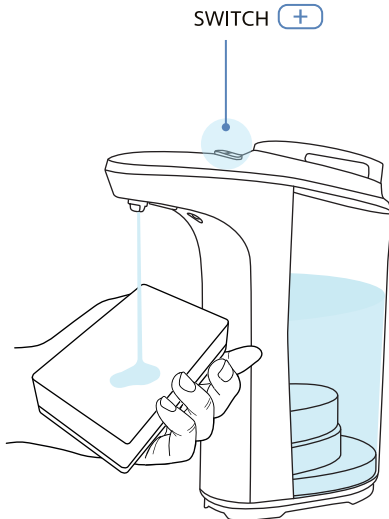
4. MAINTENANCE



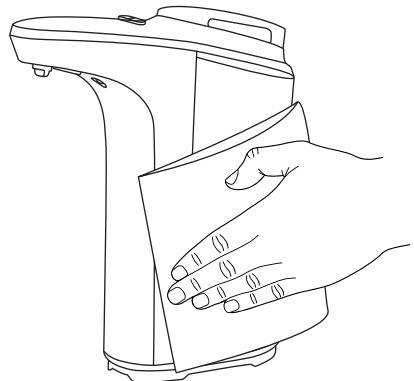
- 1 Turn unit OFF by pressing and holding the (-) button for 2 seconds. After the indicator light blinks RED, you may remove the tank cover, empty all soap and fill the tank with water.



- 2 Put the tank cover back on, then with one hand holding the tank cover firmly, shake the unit.



- 3 Set the soap output level to MAX by pressing the (+) button 5 times. Operate the unit by sticking a sponge underneath the sensor area several times to allow the soapy water mixture to flow through the entire unit thus cleaning out the internal lines.



- 4 Once completed, pour out the remaining soap water mixture and clean the exterior of the unit with a damp cloth.

5. TROUBLESHOOTING

PROBLEM	PRIMARY CAUSE	SOLUTION
Soap is not dispensing.	<p>A. The unit has not been used in a while.</p> <p>B. Soap is too thick.</p> <p>C. The batteries are low.</p>	<p>A. Press the (+) button on the top of the unit, then place your hand underneath the sensor area. If the lines have dried, you may need to fill the unit with hot water and let it sit before attempting use. This may need 3-4 rounds of hot water to break up dried soap in the lines.</p> <p>B. Turn the unit OFF, empty any liquid soap and rinse the soap tank out with water (may require more than 1 rinse). Refill soap tank with warm water, replace the tank cover, and let it sit for 3-5 minutes. Next, swirl the soap dispenser around in a circle for 30-45 seconds to let the warm water move around the soap tank. Next, turn the unit ON, and set it to its highest output level by pressing the (+) button. Then place your hand underneath the soap outlet and cycle it until a steady and clear stream of water dispenses. Then turn the unit back OFF, pour out the water, and operate normally. Repeat if trouble persists.</p> <p>C. Replace all 4 AA batteries.</p>
The sensor isn't working.	The sensor area is dirty.	Turn the unit OFF. Clean the sensor area with a damp sponge or cloth (DO NOT use soap). Dry with a towel, then turn unit back ON.
The battery compartment contains water.	Water has entered the battery compartment.	Dry the underside of the battery compartment with a dry towel. Unscrew the battery cover, remove batteries and let the battery compartment dry with the cover removed for 24 hours. Once dry, reinsert the batteries and reattach the cover. If corrosion is found inside of the battery compartment reach out to support@upperechelonproducts.com for assistance.

6. SPECIFICATIONS

Capacity	500ml
Power	4x AA Alkaline Batteries (not included)
Dimensions	3.3" (W) x 6.4" (L) x 7.4" (H)
Weight	0.8 lbs (w/o batteries)

HAVE AN ISSUE WITH YOUR AUTOMATIC SOAP DISPENSER?

Enjoy hassle-free replacements: if your automatic soap dispenser is defective or damaged, we will ship you a new one ABSOLUTELY FREE.

For fast and knowledgeable service, get in touch with one of our customer service experts right now!

WRITE A MESSAGE
TO SUPPORT



Email: support@upperechelonproducts.com

To check out more of the products we offer visit:

everlastingcomfort.net



