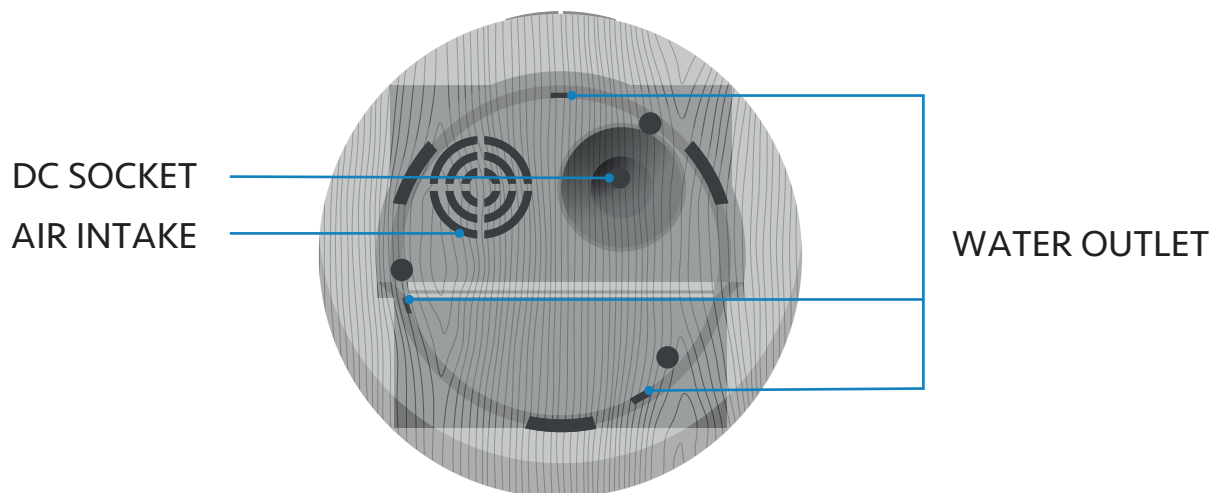
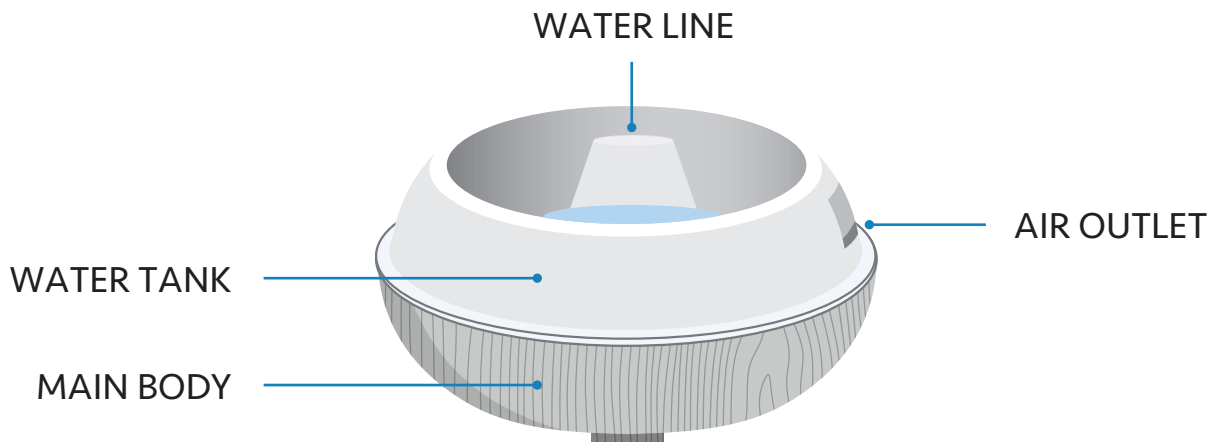
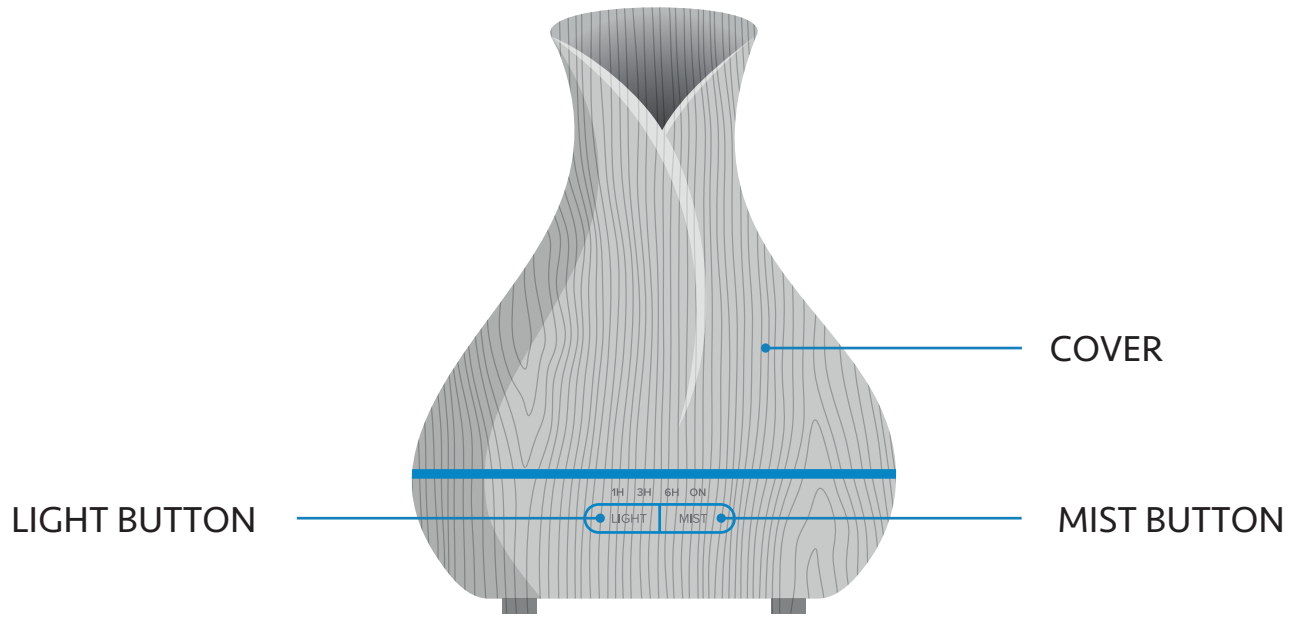


Oil Diffuser Manual

READ AND SAVE THESE INSTRUCTIONS

This oil diffuser atomizes the water and essential oil in the water tank, and produces a cool, humid and fragrant mist.



OPERATION

- 1 Position the Oil Diffuser upright, pull vertically upwards to remove cover from water tank. (Fig. 1)
- 2 Connect AC adaptor power cord into the DC input jack found on the bottom of the water tank. It is suggested to route the cable along the recessed portion on the bottom of the water tank. (Fig. 2)
- 3 Pour water and essential oil into water tank of the Oil Diffuser. DO NOT fill over the marked 'MAX' 400ml line inside of water tank. DO NOT use boiling water. DO NOT fill while powered on. It is recommended to add 2-3 drops of essential oil for each 100ml of water. (Fig. 3)
- 4 Re-attach the cover to the water tank. Spout is adjustable to guide aroma into desired direction. DO NOT operate the Oil Diffuser without the cover. (Fig. 4)
- 5 Plug AC adaptor into a wall socket.
- 6 To switch on, press the "MIST" button and continue to press the "MIST" button to set desired operation time (1 hour, 3 hour, 6 hour or ON for continuous operation). Mist level is adjustable by hard-pressing the "MIST" button until the Oil Diffuser beeps (one beep for high and two beeps for low). To switch off, press 'MIST' through the following cycle until it is off. (1 hour → 3 hour → 6 hour → on → off). (Fig. 5)
- 7 While the LED light is off, press the "LIGHT" button once to put the LED light in carousel mode where the LED will cycle through all the 7 colors continuously. To select a fixed color, press the "LIGHT" button again to cycle through all the colors. There are 2 brightness levels for each color. To shut off LED, hold the "LIGHT" button until LED shuts off. (Fig. 6)
- 8 It is recommended to drain water from the water tank and keep dry when not in use.
- 9 For your safety, the Oil Diffuser does not automatically turn on when plugged into a power outlet. To power on, press the "MIST" button once.
- 10 Misting function and light will switch off automatically, when there is an insufficient amount of water, or press "MIST," to switch Oil Diffuser off.

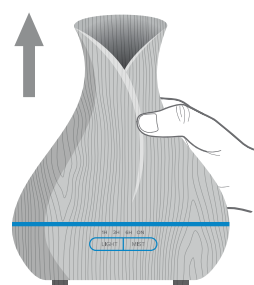


Fig. 1

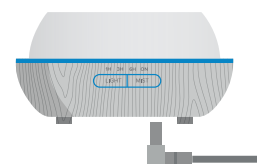


Fig. 2



Fig. 3

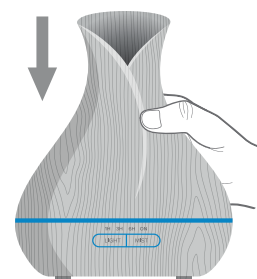


Fig. 4

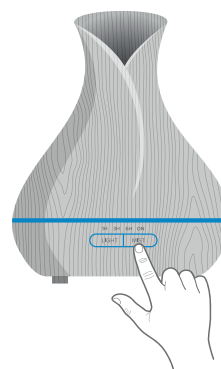


Fig. 5

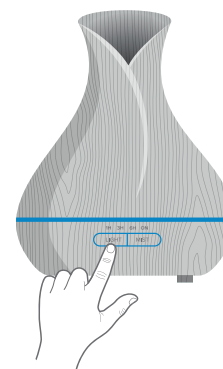


Fig. 6

IMPORTANT: Always turn the Oil Diffuser OFF by pressing the 'MIST' button through the following cycle (1-hour > 3-hour > 6-hour > ON > OFF) (Fig. 5) before unplugging it from the wall.

ATTENTION

- The amount and intensity of mist produced will vary, but this is not unusual and should not be considered as a defect.
- Factors that affect this include water type, humidity, temperature, and air currents.
- Automatically powers off when water runs out or there's an insufficient amount of water in the water tank.
- Use only 100% natural essential oils. If oils contain any chemical ingredients, flavors or impurities, the unit may be damaged.
- Before switching to a different essential oil, see maintenance section for cleaning instructions.

ACCIDENTAL LEAKAGE

In the event of the unit being knocked or tipped over during use, please follow the steps below to avoid malfunction:

- 1 Turn the unit off, unplug it, and remove the cover from the water tank.
- 2 Pour out any remaining water from any side of the water tank except the 400ml Max fill line to avoid damaging the control buttons. (Fig. 7)
- 3 Shake the base gently to drain out any excess water, and let unit air dry for at least 24 hours.

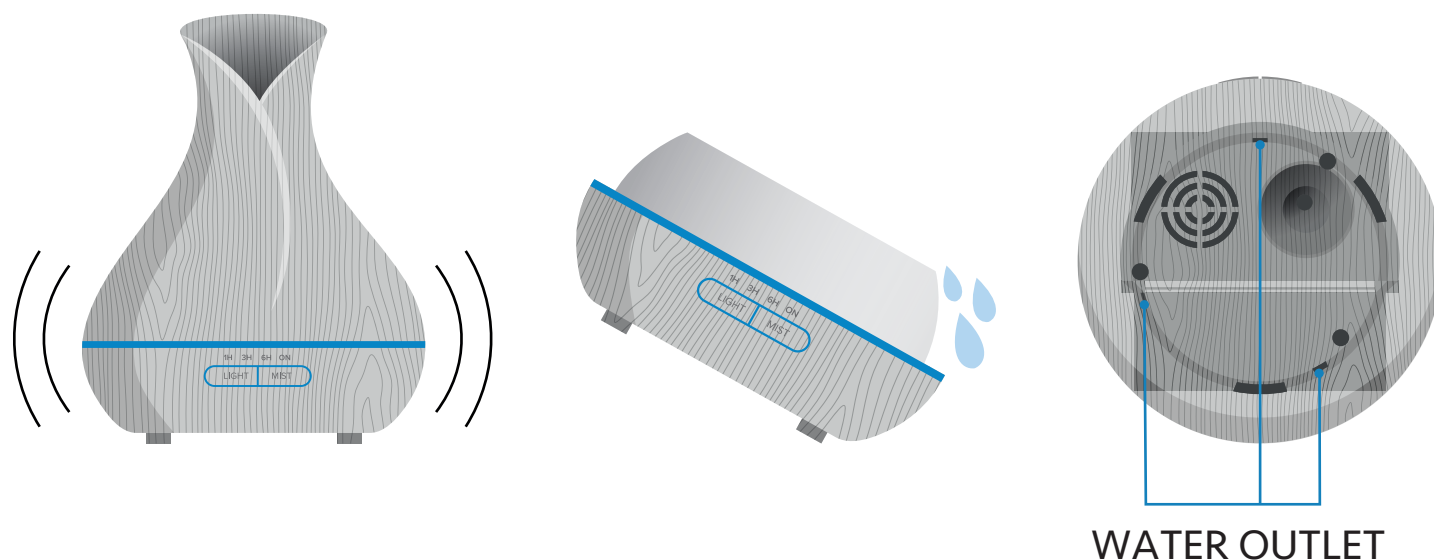


Fig. 7

MAINTENANCE

After 5-6 uses, please follow these cleaning instructions:

- 1 Turn the unit off, unplug from the power adaptor and remove the cover from the water tank.
- 2 Pour out any remaining water from any side of the water tank except the 400ml Max fill line side to avoid damaging the control buttons.
- 3 Use a damp cloth with a small amount of mild dish soap to clean the inside of the water tank, wipe gently and dry with a clean cloth.
- 4 Keep water from flowing into the three air outlets located on the bottom of the water tank, by pouring water out using the sides of the water tank. Refer to above image for example. (Fig. 7)
- 5 Do not use any acid or enzyme detergents, as this may give off poisonous gas and/or cause the unit to malfunction.
Note: Be sure to use a mild detergent.
- 6 Keep atomization piece inside of the water tank clean using warm water, mild dish soap, and the provided cleaning brush or a cotton swab.

PRECAUTIONS

Please follow the below to avoid malfunction:

- Do not change, dismantle, or repair the unit yourself. Please contact support@upperechelonproducts.com with any requests.
- Do not switch on power when the water tank is empty.
- Do not remove cover while unit is powered on.
- Do not touch the atomization piece inside of water tank while unit is powered on, can produce electric shock. (Fig. 8)
- Clean regularly as per maintenance instructions to protect against malfunction.
- Always turn the unit off and unplug the power adaptor from the water tank before maintenance.
- Keep away from electronic equipment, such as TV or audio equipment.
- Do not pour water out of the water tank from 400ml Max fill line side as it may cause damage to the control buttons.
- For hygiene purposes, after use, pour out any remaining water from water tank, and wipe with a clean dry cloth.
- Essential oil can corrode the unit. Prevent this by wiping away any excess or spills with a soft cloth.
- Use a cup to add water into the water tank. DO NOT fill with water directly from the sink.
- Keep mist directed away from furniture, clothing, walls, etc.
- Keep away from direct sunlight, heat sources, air conditioners and fans.
- Always keep on stable flat surface. Do not place unit on carpet, bedding, or any uneven surface areas.
- Wait 60 minutes before restarting to avoid damage to atomization piece.
- DO NOT use sparkling or carbonated water. Use tap water, or filtered water only.
- Never move the unit when it is working.
- Do not touch any part of the unit with wet hands.
- Keep away from small children, infants and pets.
- If the AC adaptor power cord is ever burning or emitting smoke, unplug immediately.

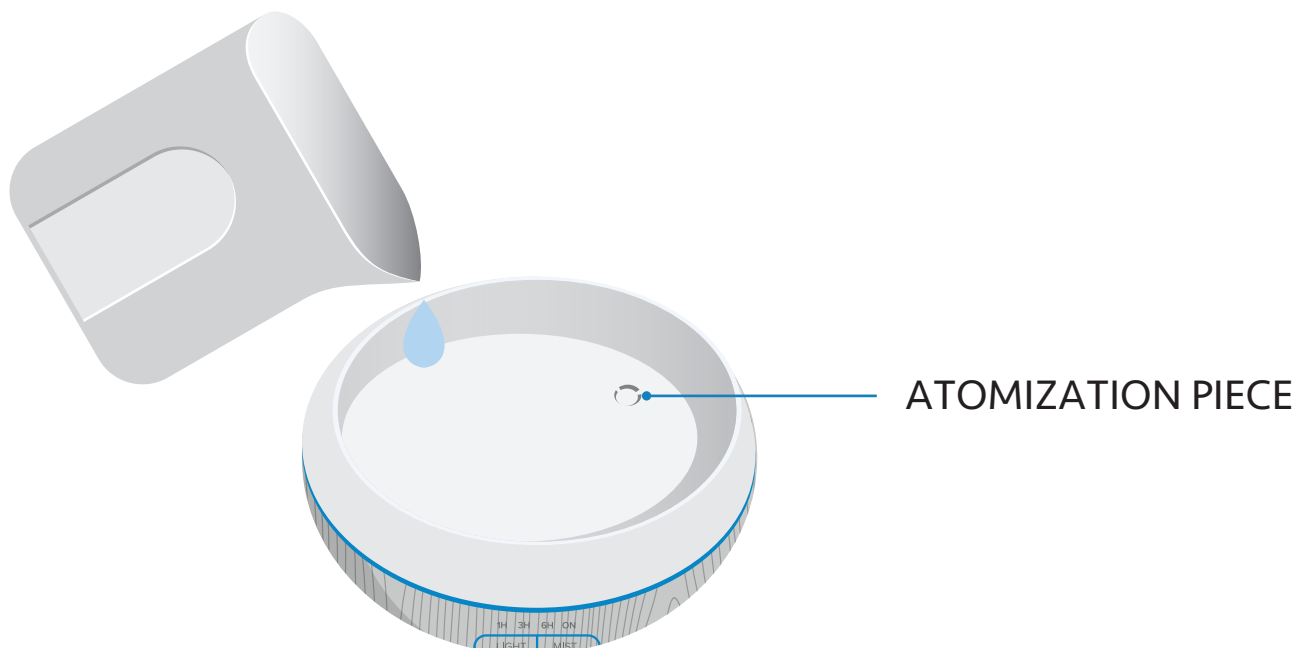


Fig. 8

TROUBLESHOOTING

Please refer to the table below in the event of the product operating abnormally and prior to requesting repairs:

WILL NOT SWITCH ON/OFF, NO MIST OR ABNORMAL MIST

Is there enough water in the water tank?	Please add suitable amount of water in the water tank, water must never be filled over 400ml Max line.
Is the power cord connected properly?	Please disconnect, check cables and re-connect carefully.
Dirt on the atomization piece?	Please refer to maintenance instructions above to remove any dirt and keep atomization piece clean.
Cover and inner cover are not installed properly? Dirt on the air suction port on the underside of the cover?	If too much dust is in the air suction port, mist will be restricted and will not come out properly. Clean out the air suction port with provided brush or a dry cloth.

WATER LEAKAGE FROM PRODUCT

Cover and water tank are not installed properly?	Remove cover from water tank and re-install correctly. And, make sure water is not filled over 400ml Max line.
Low temperature or high humidity?	Under these conditions, the mist may condense quickly into water droplets.

SPECIFICATIONS

Dimensions	Approx. 8.75 x 7 x 7"
Weight (excluding adaptor)	Approx. 1lb
Length of Cord	Approx. 5.6ft
Electrical Rating	AC100-240V 50/60Hz DC24V 650mA
Power	Approx. 14.5W
Time Mode	1H/3H/6H/ON
Tank Capacity	400ML
LED Light	3pcs
Material	PP/ABS/PC
Accessories	AC adapter, instructional manual cleaning brush, microfiber cloth
Working Frequency	2.4MHz

HAVE AN ISSUE WITH YOUR OIL DIFFUSER?

Enjoy hassle-free replacements: if your oil diffuser is defective or damaged, we will ship you a new one ABSOLUTELY FREE.

For fast and knowledgeable service, get in touch with one of our customer service experts right now!

Email: support@upperechelonproducts.com

WRITE A MESSAGE
TO SUPPORT



To check out more of the products we offer visit:

everlastingcomfort.net



Intertek
5009708

All parts have been tested by Intertek and are ETL Certified.



everlastingcomfort.net