

# Cooler Backpack User Manual

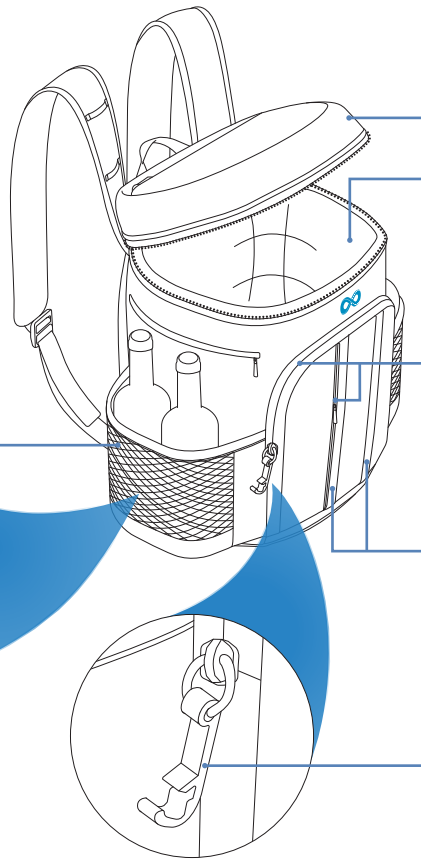
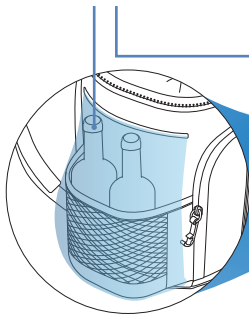
READ AND SAVE THESE INSTRUCTIONS

**Inspect Unit Before Use.**

Contact [support@upperechelonproducts.com](mailto:support@upperechelonproducts.com) immediately for any damaged or defective units.

## 2 LARGE MESH POCKETS + HIDDEN BOTTLE COVERS

2 mesh pockets on either side that can fit 2 wine bottles each, and a zipper above each pocket with a black elastic cover that can conceal the bottles.



TOP LID

LARGE FOOD STORAGE POCKET

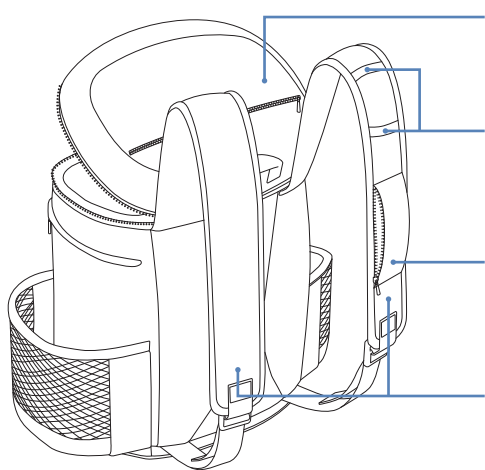
Main large zipper compartment to store food and/or drinks.

STORAGE ZIPPER POCKETS

Two front zipper pockets for holding daily items.

REFLECTORS

KEYCHAIN BOTTLE OPENER



POWER BANK POCKET

A pocket on the top of the backpack to store a power bank.

HEADPHONE LOOPS

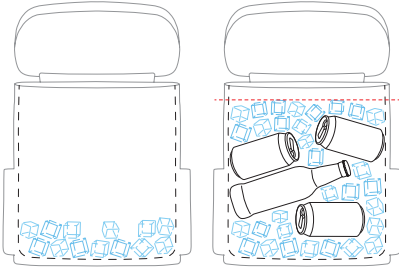
STRAP ZIPPER POCKET

A card zipper pocket on the back strap.

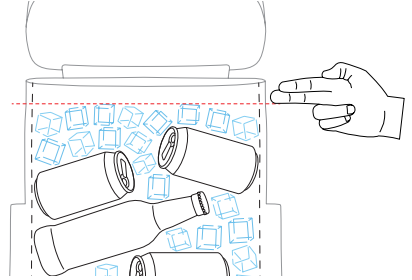
PADDED ADJUSTABLE STRAPS

# PACKING TIPS

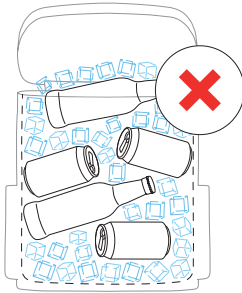
- 1 To keep items cold, gently pour ice into the bottom of the backpack, then fill with contents, then add more ice.



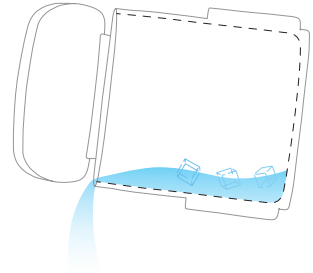
- 2 When filling the backpack, leave at least 1.5 inches of space (or the width of 2 fingers) below the top lid.



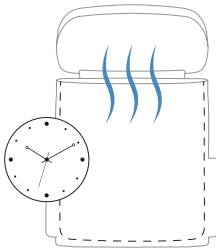
- 3 DO NOT overfill the backpack to avoid any damage and/or leaks.



- 4 Empty water by opening the top lid and turning the backpack upside down.



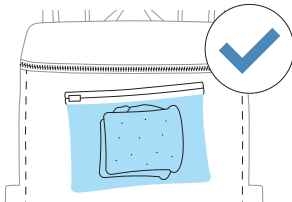
- 5 Allow the backpack to sit with the top lid unzipped and open to air dry.



- 6 Keep cooler backpack upright when in use.



- 7 Store food in leak-proof containers or sealed bags.



- 8 Do not drop your cooler backpack when there are contents inside as it may cause damage to the backpack.

- 9 Wrap any hot food container in a towel to avoid damaging the inner liner of the backpack.

## HOW TO CLEAN

Hand wash using cold water and a mild detergent or hand soap. Wipe with a clean cloth or air dry only.

- **DO NOT** put the backpack in the washer or dryer.
- **DO NOT** bleach.
- **DO NOT** iron.

## HAVE AN ISSUE WITH YOUR COOLER BACKPACK?

Enjoy hassle-free replacements: if your cooler backpack is defective or damaged, we will ship you a new one ABSOLUTELY FREE.

For fast and knowledgeable service, get in touch with one of our customer service experts right now!

**Email: [support@upperechelonproducts.com](mailto:support@upperechelonproducts.com)**

WRITE A MESSAGE  
TO SUPPORT



To check out more of the products we offer visit:

[everlastingcomfort.net](http://everlastingcomfort.net)

